

Technical Data Sheet

Shower Systems



No.	Description	Code	Fixings Included
1	Joy Single Function Shower System	DC3001	YES



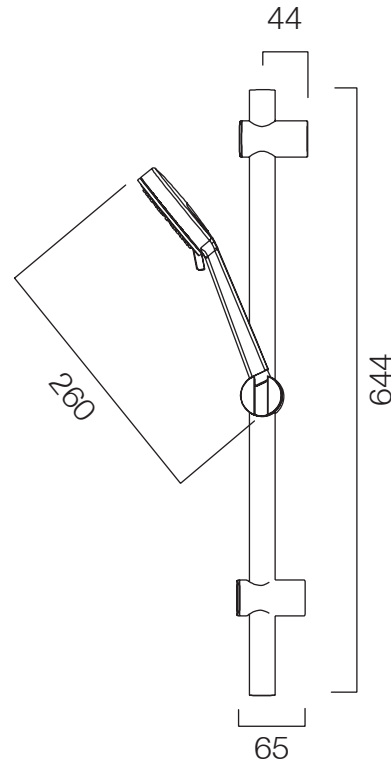
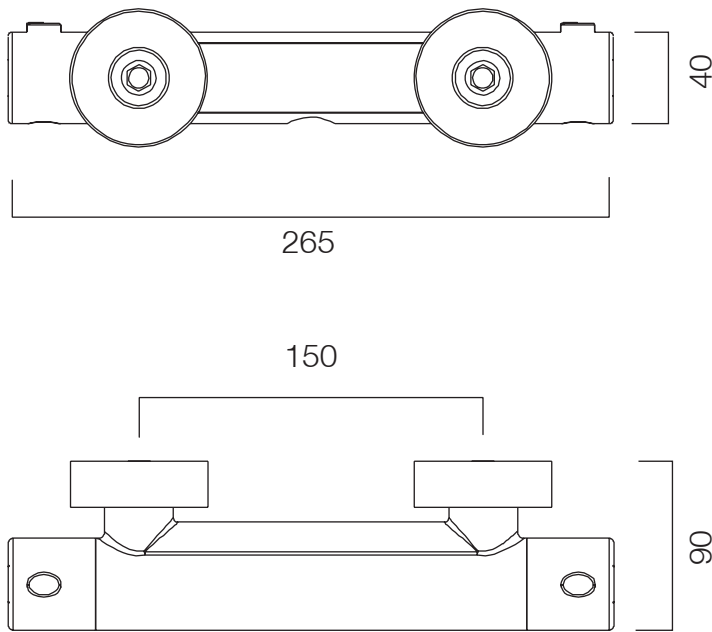
Inlet Pressure	Flow Rate (l/min)
0.2bar	5.5
0.3bar	7
0.5bar	8
1bar	9.5
2bar	12.5

Flow from valve may vary depending on accessories and domestic supply.

Dimensions - Overview

Diagrams not to scale. All dimensions in mm (tolerance of +/-5mm)

Diagrams not to scale. All dimensions in mm (tolerance of +/-5mm)



FAQs

How tall is the riser rail? 644mm, fixing points are adjustable

How long is the shower hose? 1.5m

What is the minimum pressure for the valve? 0.2BAR

What is the valve connection size? 3/4" threaded inlets / 1/2" threaded outlet

Materials:

Riser - Stainless Steel

Valve - Chrome Plated Zinc

Cover Plates - Stainless Steel

Slider - Chrome Plated ABS

Shower Hose - Stainless Steel

Handset - Chrome Plated ABS