

Technical Data Sheet

Shower Systems

R2

No.	Description	Code	Fixings Included
1	Joy Single Function Push Button Shower System	DC3003	YES



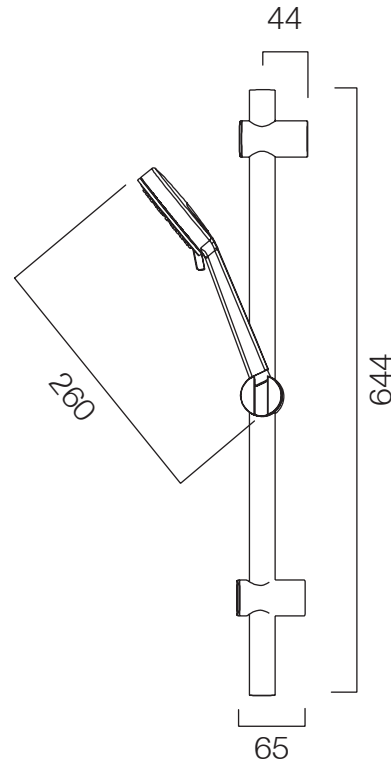
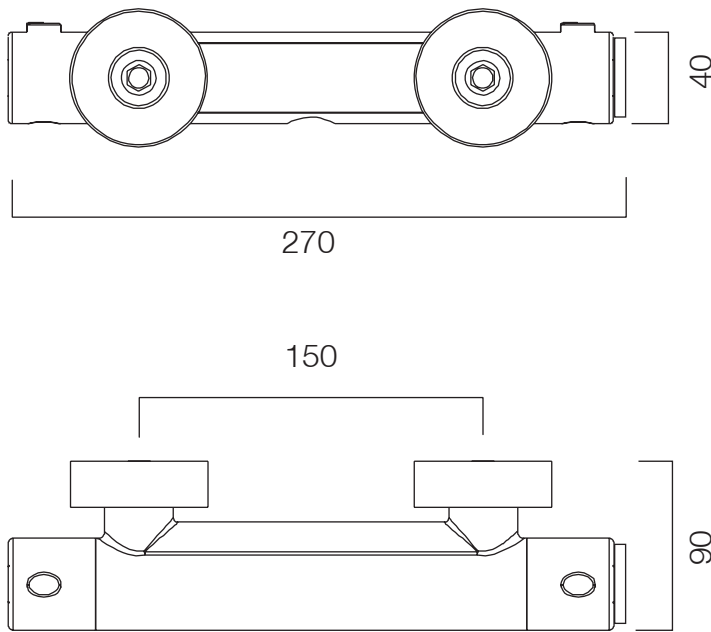
Inlet Pressure	Flow Rate (l/min)
0.2bar	3.7
0.3bar	4.5
0.5bar	7
1bar	10
2bar	14
3bar	18

Flow from valve may vary depending on accessories and domestic supply.

Dimensions - Overview

Diagrams not to scale. All dimensions in mm (tolerance of +/-5mm)

Diagrams not to scale. All dimensions in mm (tolerance of +/-5mm)



FAQs

How tall is the riser rail? 644mm, fixing points are adjustable

How long is the shower hose? 1.5m

What is the minimum pressure for the valve? 0.2BAR

What is the valve connection size? 3/4" threaded inlets / 1/2" threaded outlet

Materials:

Riser - Stainless Steel

Valve - Chrome Plated Brass

Cover Plates - Stainless Steel

Slider - ABS

Technical Data Sheet

Shower Systems



No.	Description	Code	Fixings Included
1	Joy Dual Function Shower System	DC3004	YES



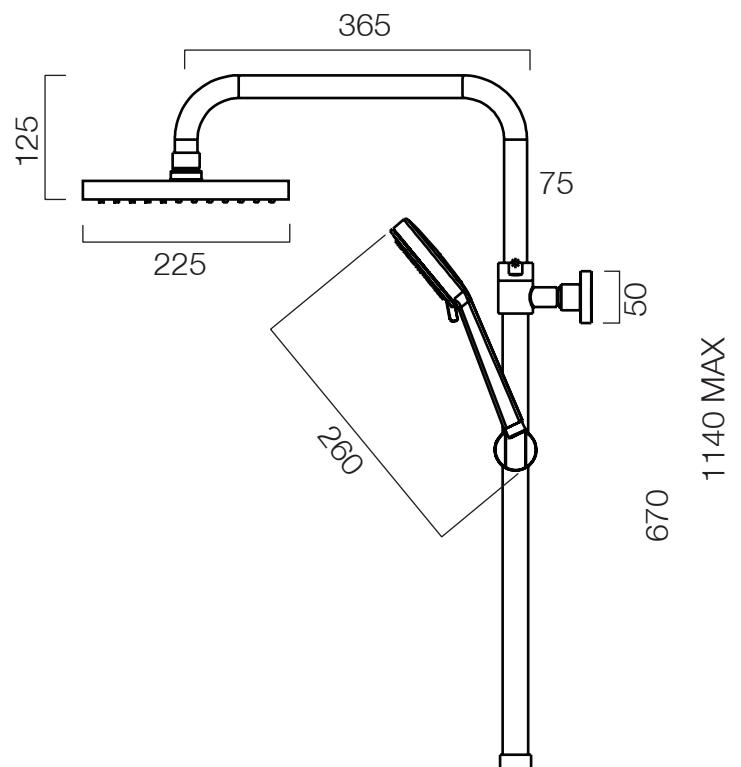
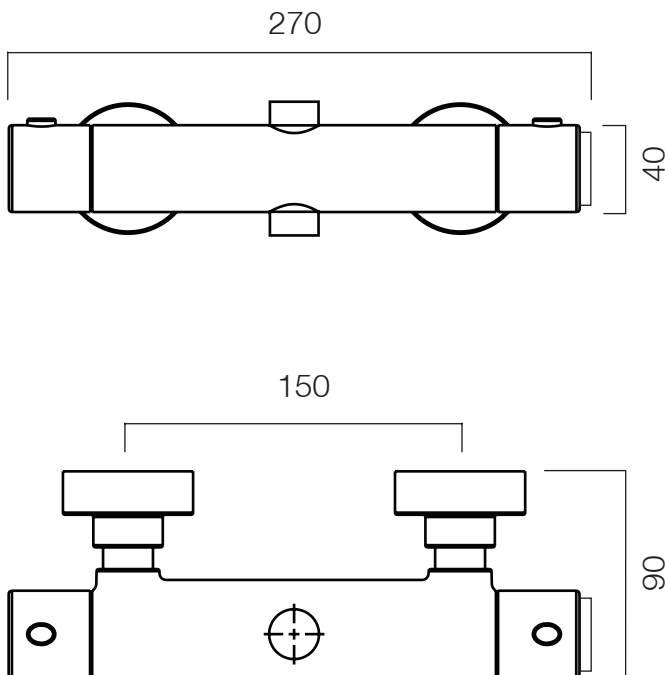
Inlet Pressure	Flow Rate (l/min)
0.2bar	4
0.3bar	5.5
0.5bar	7
1bar	11
2bar	14
3bar	20

Flow from valve may vary depending on accessories and domestic supply.

Dimensions - Overview

Diagrams not to scale. All dimensions in mm (tolerance of +/-5mm)

Diagrams not to scale. All dimensions in mm (tolerance of +/-5mm)



FAQs

How tall is the riser rail? Adjustable height - maximum 1140mm

How long is the shower hose? 1.5m

What is the minimum pressure for the valve? 0.5BAR

What is the valve connection size? 3/4" threaded inlets / 1/2" threaded outlet

Materials:

Riser - Stainless Steel

Valve - Chrome Plated Brass

Cover Plates - Stainless Steel

Slider - ABS