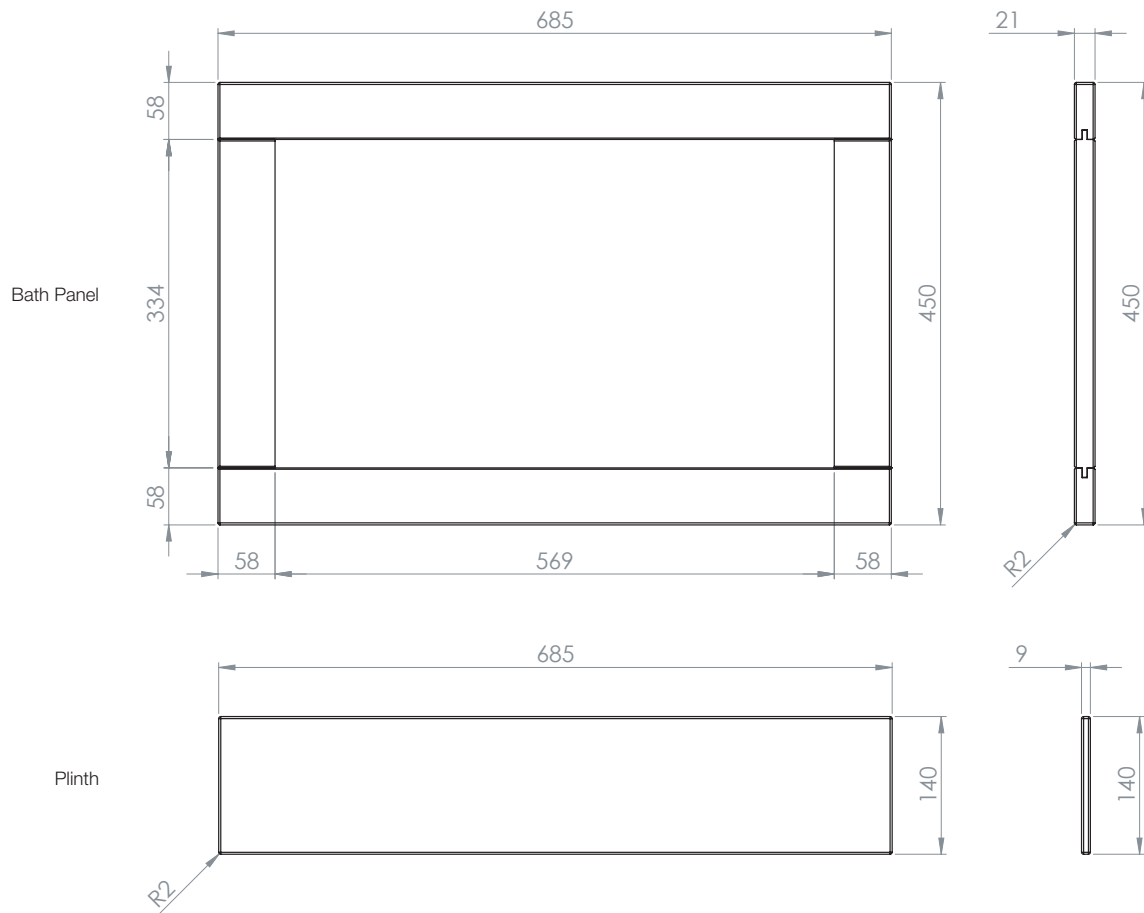


# Technical Data Sheet

# ROPER RHODES®

## Hampton 700 Bath End Panel & Plinth

Whats in the box: 1x DC5003E or DC5004E or DC5005E or DC5006E or DC5007E or DC5008E



Diagrams not to scale  
All dimensions in mm  
tolerance of +/-5mm

### Materials

Bath panels: 21mm Painted MDF & Solid Timber

Plinth: 9mm Painted MDF

\*\*Dimensions are subject to change, customers are advised to measure actual product before commencing installation.

\*\*\*Fixing point dimensions are for guidance only/the positions of wall fixing must be checked when product is received.

### FAQs

Q: What are the front faces painted with?

A: Build up of 3 layers of UV cured Polyurethane (PU) paint.

Q: Are the back faces painted?

A: All faces are painted the same.

Q: Can the panel be used with a bath panel corner post?

A: Yes

Q: What is the height adjustable range?

A: 450 - 590mm

NOTE: No RAL Code available