

Technical Data Sheet

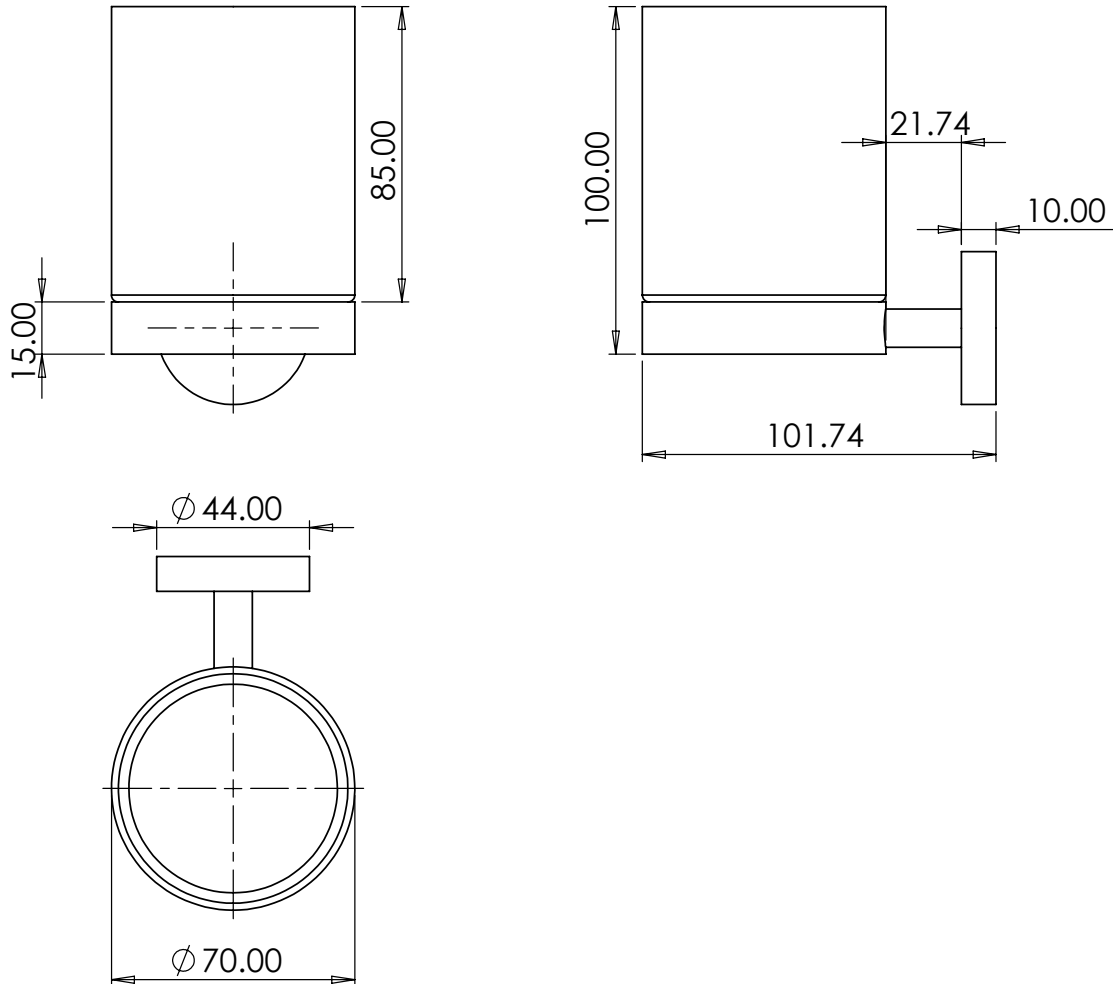
Round Tumbler Holder

DC7004 - Chrome, DC7008 - Black, DC7033 - Brass, DC7054 - Gunmetal



Dimensions

Diagrams not to scale. All dimensions in mm (tolerance of +/-5mm)



FAQs