

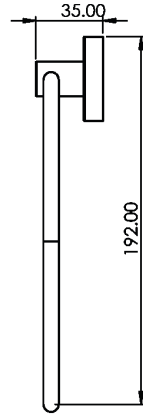
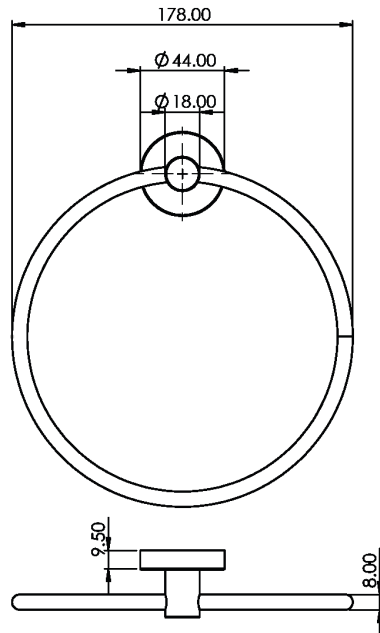
# Technical Data Sheet

## CAPITAL TOWEL RING BLACK

Whats in the box: 1x DC7006 & Fixings

# ROPER RHODES®

Diagrams not to scale  
All dimensions in mm  
tolerance of +/-5mm



### Materials

Base plate: Zinc Alloy with electroplated finish

Holder: Zinc Alloy with electroplated finish

\*\*Dimensions are subject to change, customers are advised to measure actual product before commencing installation.

\*\*\*Fixing point dimensions are for guidance only/the positions of wall fixing must be checked when product is received.

### FAQs

- |  |           |
|--|-----------|
| Q: What is the overall distance from the wall? | A: 35 mm  |
| Q: Coverplate dimensions?                      | A: D44 mm |
| Q: Fixing point centres?                       | A: 22 mm  |
| Q: Does the product swing?                     | A: Yes    |

### SPARES



Wall Mounted Fixing Plate - SP19823