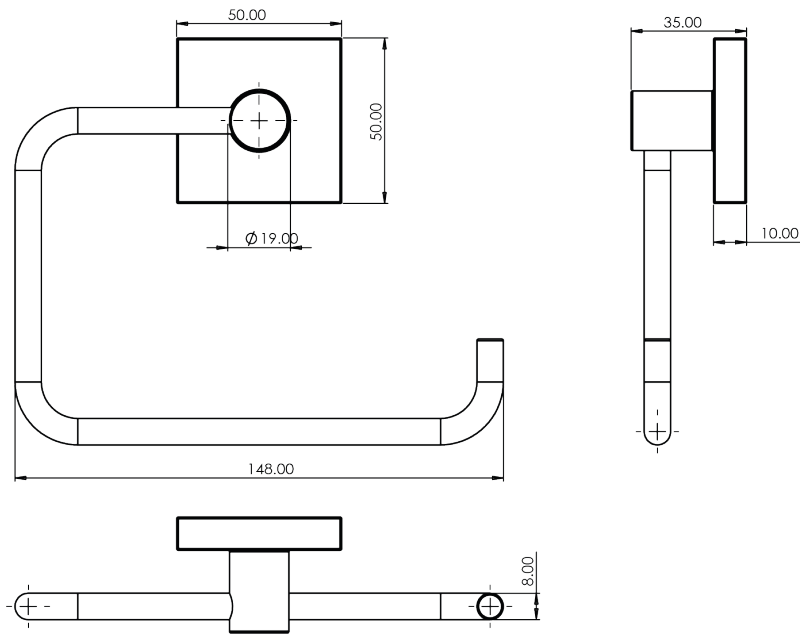


Technical Data Sheet

ROPER RHODES®

RESTORE TOILET ROLL HOLDER CHROME

Whats in the box: 1x DC7009 & Fixings



Diagrams not to scale
All dimensions in mm
tolerance of +/-5mm



Materials

Base plate: Chrome plated Zinc alloy

Holder: Chrome plated Zinc alloy

**Dimensions are subject to change, customers are advised to measure actual product before commencing installation.

***Fixing point dimensions are for guidance only/the positions of wall fixing must be checked when product is received.

FAQs

- | | |
|--|---------------|
| Q: What is the overall distance from the wall? | A: 35 mm |
| Q: Coverplate dimensions? | A: 50 x 50 mm |
| Q: Fixing point centres? | A: 25 mm |
| Q: Does the product swing? | A: Yes |

SPARES

Wall Mounted Fixing Plate - SP19823

