

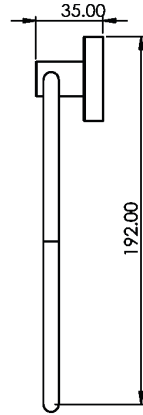
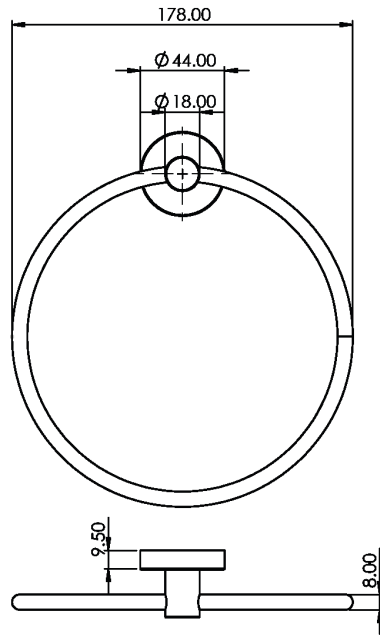
Technical Data Sheet

CAPITAL TOWEL RING BRASS

Whats in the box: 1x DC7031 & Fixings

ROPER RHODES®

Diagrams not to scale
All dimensions in mm
tolerance of +/-5mm



Materials

Base plate: Zinc Alloy with ORB Finish

Holder: Zinc Alloy with ORB Finish

**Dimensions are subject to change, customers are advised to measure actual product before commencing installation.

***Fixing point dimensions are for guidance only/the positions of wall fixing must be checked when product is received.

FAQs

- | | |
|--|-----------|
| Q: What is the overall distance from the wall? | A: 35 mm |
| Q: Coverplate dimensions? | A: D44 mm |
| Q: Fixing point centres? | A: 22 mm |
| Q: Does the product swing? | A: Yes |

SPARES

Wall Mounted Fixing Plate - SP19823

