

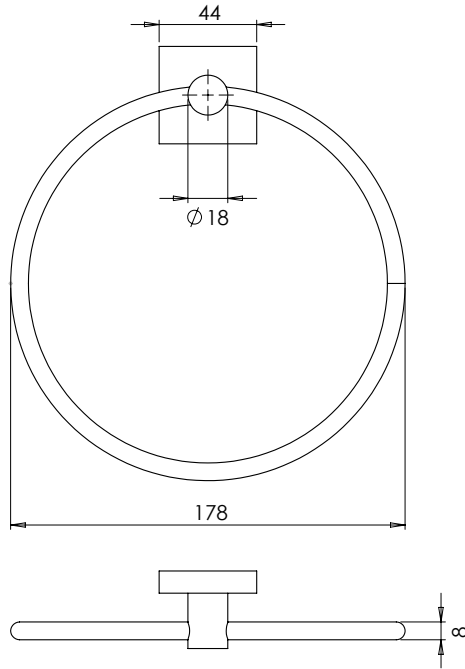
Technical Data Sheet

ROPER RHODES®

RESTORE TOWEL RING BRASS

Whats in the box: 1x DC7039 & Fixings

Diagrams not to scale
All dimensions in mm
tolerance of +/-5mm



Materials

Base plate: Zinc Alloy with PVD Coating
Holder: Stainless Steel with PVD Coating

**Dimensions are subject to change, customers are advised to measure actual product before commencing installation.
***Fixing point dimensions are for guidance only/the positions of wall fixing must be checked when product is received.

FAQs

- | | |
|--|---------------|
| Q: What is the overall distance from the wall? | A: 35 mm |
| Q: Coverplate dimensions? | A: 44 x 44 mm |
| Q: Fixing point centres? | A: 22 mm |
| Q: Does the product swing? | A: Yes |

SPARES

Wall Mounted Fixing Plate - SP19823

