

TECHNICAL DATA SHEET

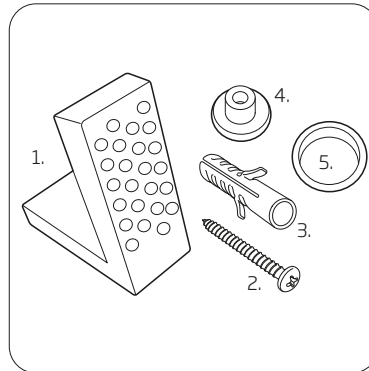
Debut Comfort Height Close Coupled Fully Enclosed WC

R2

NO.	Description	Product Code	Fixings included	Gross Weight
1	Close Coupled Cistern	DCCTNK	YES	13KG
2	Soft Close Toilet Seat	DSCTS2	YES	2.6KG
3	Comfort Fully Enclosed WC	DCFAN	YES	35KG



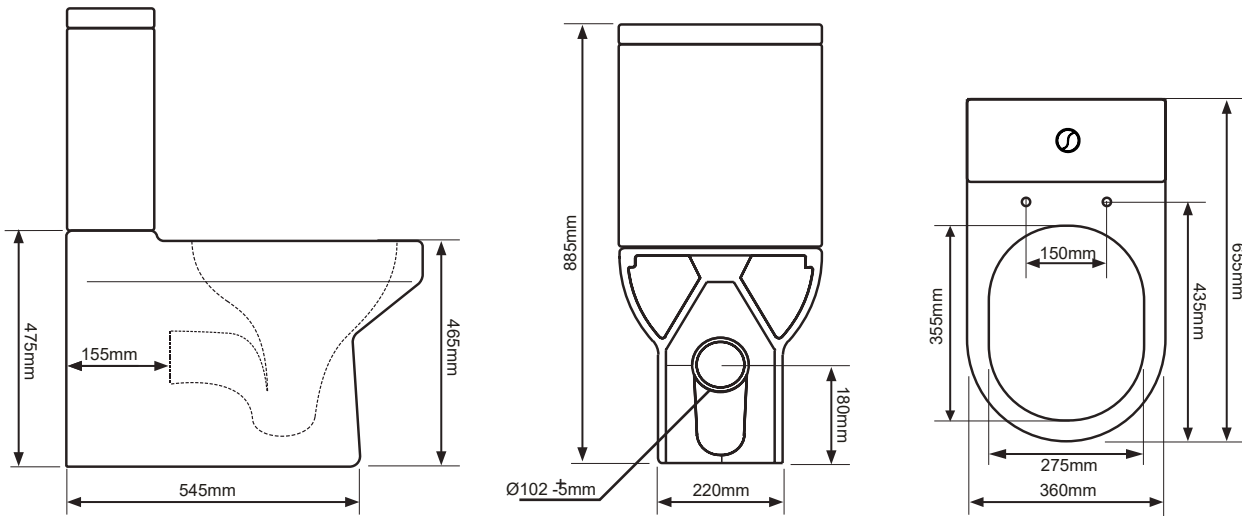
Floor Fixings



Spare Code: SP14211

DIMENSIONS

DIAGRAMS NOT TO SCALE | ALL DIMENSIONS IN MM TOLERANCE OF ± 5MM
ALL PRODUCTS CONFORM TO BRITISH STANDARDS



*Dimensions are subject to change, customers are advised to measure actual product before commencing installation.
**Fixing point dimensions are for guidance only. The positions of fixings must be checked when product is received.

FAQs

Q - Where is the inlet valve?
A - Bottom inlet, back right of the pan.

Q - What is the flush volume?
A - 6/4L

Q - Can this pan be used with a side connection outlet pipe?
A - No

Q - Are there any other compatible seats?
A - Yes - Slim Seat RASCTS

Key Dimensions Descriptions	Key Dimensions (mm)
Front to Back Footprint	545mm
Left to Right Footprint	220mm
Bowl Front to Back	355mm
Bowl Left to Right	275mm
Pan Height	465mm
Pan Overall Front to Back	655mm
Centre Waste Outlet to Floor	180mm
Width of Void	155mm
Is there a Ceramic Brace Bar	No
Distance from Spigot to back of Pan	155mm