

## DOWNLIGHTS

### BOX CONTENTS:

Downlight | Instructions booklet

### FAQ's

	Units	DL01-W
Dimensions ( W x D x H)	mm	85 x 85 x 45 (130 with bracket)
Installation orientation	-	Ceiling mounted
Minimum Ceiling Void	mm	140
Installation diameter	mm	75
Gross Weight	gr	210
Is a driver required?	-	No
Is the lamp included?	-	No*
Max lamp length	mm	58
Is the lamp Dimmable?		Lamp Dependent

\*If smart version is ordered (suffix -WIZ) a smart bulb will be included.

For further FAQ's related to Wiz App go to: <https://www.roperrhodes.co.uk/smart-lighting>

### ELECTRICAL SPECIFICATION

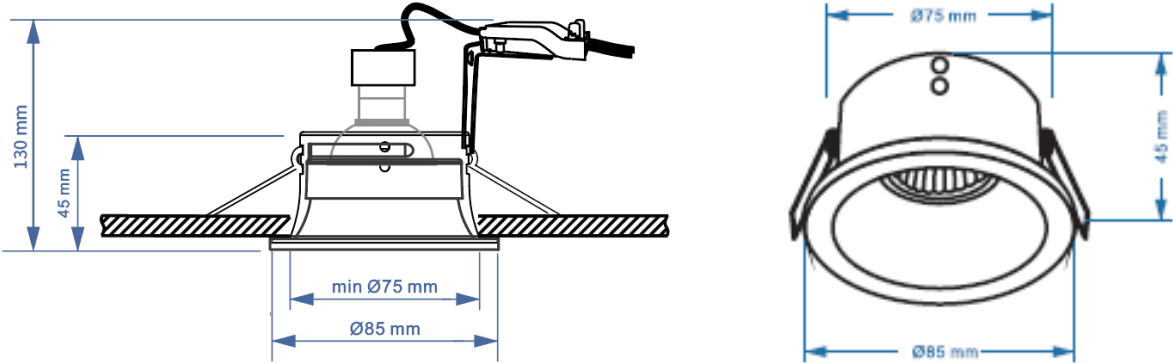
	Input Voltage	Light Source	Max Wattage (W)	Energy Rating	CCT (K)	CRI	IP Rating	Electrical Class
DL01-W	220-240V 50Hz	GU10	50	Lamp Dependent	Lamp Dependent	Lamp Dependent	IP65	Class I

# TECHNICAL DATA SHEET

ROPER RHODES®

## TECHNICAL DRAWINGS

DL01-W



Please note:

- Dimensions are subject to change. Customers are advised to measure actual product dimensions before commencing installation.