

# TECHNICAL DATA SHEET

## Debut 450 Cloakroom Basin - DPB45

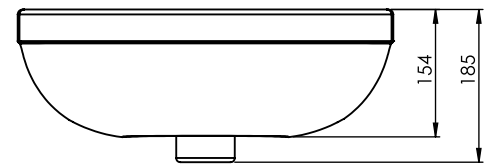
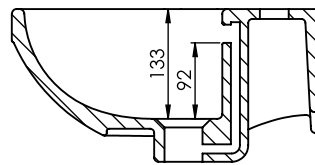
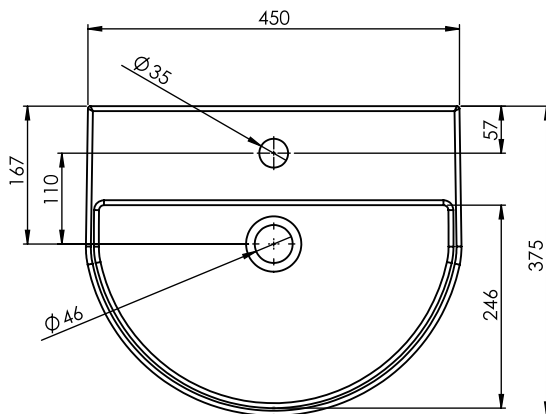
R2

NO.	Description	Product Code	Fixings included	Gross Weight
1	Cloakroom Basin	DPB45	NO	10 KG



### DIMENSIONS

DIAGRAMS NOT TO SCALE | ALL DIMENSIONS IN MM TOLERANCE OF  $\pm 5$ MM  
ALL PRODUCTS CONFORM TO BRITISH STANDARDS



\*Dimensions are subject to change, customers are advised to measure actual product before commencing installation.  
\*\*Fixing point dimensions are for guidance only. The positions of fixings must be checked when product is received.

### FAQs

Q - What is the maximum water depth of the basin?  
A - 92mm up to the overflow.

Q - Can this basin be wall hung?  
A - Yes..

Q - Can this basin be mounted using a semi-pedestal?  
A - Yes, use code DSMP

Q - How thick is the basin edge/rim?  
A - 8mm

Q - Does the basin have an integral overflow?  
A - Yes

Key Dimensions Descriptions	Key Dimensions (mm)
Internal Bowl Depth	133mm
Internal Bowl Front to Back	246mm
Internal Bowl Left to Right	434mm
Tap Ledge	129mm
Taphole Centre to Waste Centre	110mm
Taphole Centre to Back of Basin	57mm
Waste Centre to Back of Basin	167mm
Width of Rear Basin	450mm
Basin Depth	185mm