

TECHNICAL DATA SHEET

Debut Basin and Pedestal

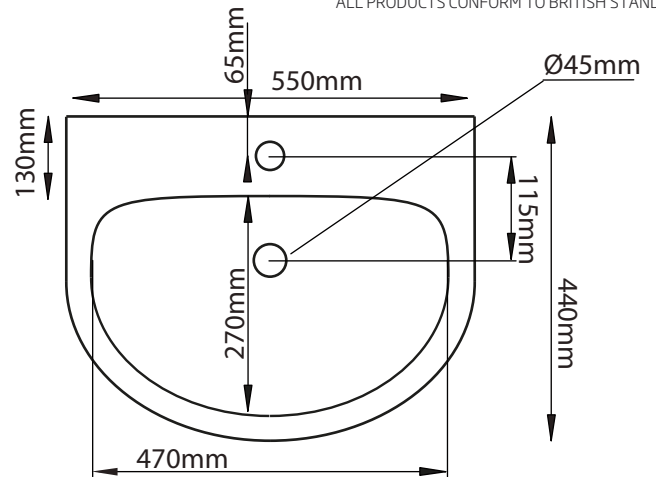
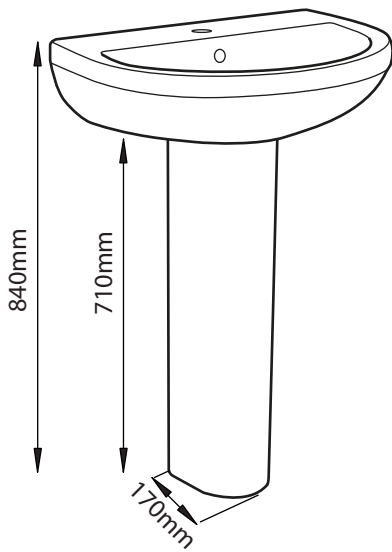
R2

NO.	Description	Product Code	Fixings included	Gross Weight
1	Basin	DPB54	YES	15.2KG
2	Pedestal	DPED	YES	13.4KG



DIMENSIONS

DIAGRAMS NOT TO SCALE | ALL DIMENSIONS IN MM TOLERANCE OF ± 5 MM
ALL PRODUCTS CONFORM TO BRITISH STANDARDS



*Dimensions are subject to change, customers are advised to measure actual product before commencing installation.
**Fixing point dimensions are for guidance only. The positions of fixings must be checked when product is received.

FAQs

Q - Position of fixing points?
A - Fixing points are 280mm (centre-to-centre)

Q - Does this basin have an integrated overflow?
A - Yes

Q - What is the maximum water depth of the basin?
A - 100mm up to the overflow.

Basin

Key Dimensions Descriptions	Key Dimensions (mm)
Internal Basin Depth	145mm
Internal Basin Front to Back	270mm
Internal Basin Left to Right	470mm
Tap Ledge	130mm
Taphole Centre to Waste Centre	115mm
Taphole Centre to Back of Basin	65mm
Waste Centre to Back of Basin	180mm
Width of Basin	550mm
Depth of Basin	440mm

Pedestal

Key Dimensions Descriptions	Key Dimensions (mm)
Distance at Rear Base from Wall when Fitted MIN/MAX	100mm
Footprint Front to Back Depth	170mm
Footprint Outside Width Front	120mm
Footprint Outside Width Back	200mm
Cavity Width (Pipe Fit)	100mm
Cavity Depth (Pipe Fit)	140mm
Height Excluding Basin	710mm