

TECHNICAL DATA SHEET

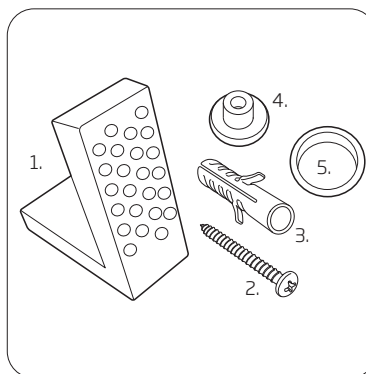
Debut Comfort Height Closed Coupled Open Back WC

R2

NO.	Description	Product Code	Fixings included	Gross Weight
1	Close Coupled Cistern	DCCTNK	YES	13KG
2	Soft Close Toilet Seat	DSCTS2	YES	2.6KG
3	Comfort Height Open Back WC	DCHPAN	YES	26KG



Floor Fixings

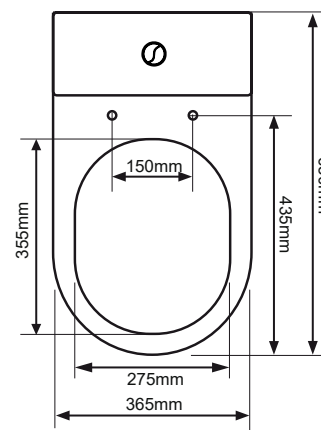
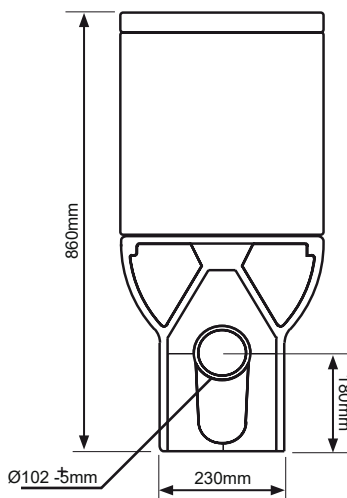
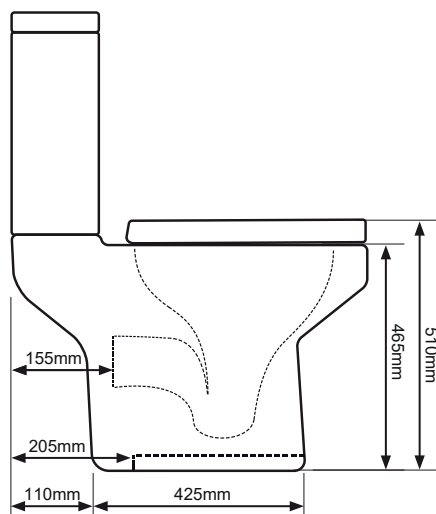


- 1. 2x Nylon Floor Bracket
- 2. 4x Stainless Steel Screws
- 3. 2x Nylon Screw Plugs
- 4. 2x Nylon Screw Collars
- 5. 2x Nylon Collar Caps (Metalic Finish)

Spare Code: SP14211

DIMENSIONS

DIAGRAMS NOT TO SCALE | ALL DIMENSIONS IN MM TOLERANCE OF ± 5MM
ALL PRODUCTS CONFORM TO BRITISH STANDARDS



*Dimensions are subject to change, customers are advised to measure actual product before commencing installation.
**Fixing point dimensions are for guidance only. The positions of fixings must be checked when product is received.

FAQs

Q - Where is the inlet valve?
A - Bottom inlet, back right of the pan.

Q - What is the flush volume?
A - 6/4L

Q - Can this pan be used with a side connection outlet pipe?
A - Yes.

Q - Are there any other compatible seats?
A - Yes: RASCTS Slim Seat/8903WSC Diode Seat

Q - Rim type?
A - Box rim

Key Dimensions Descriptions	Key Dimensions (mm)
Front to Back Footprint	425mm
Left to Right Footprint	230mm
Bowl Front to Back	355mm
Bowl Left to Right	275mm
Pan Height (+Cistern)	465mm (860mm)
Pan Overall Front to Back	650mm
Centre Waste Outlet to Floor	180mm
Width of Void	200mm
Is there a Ceramic Brace Bar	No
Distance from Spigot to back of Pan	155mm