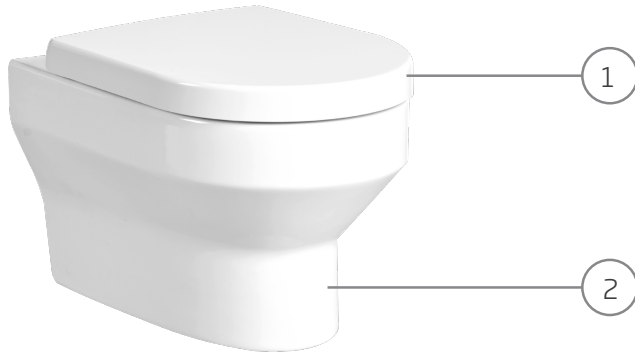


TECHNICAL DATA SHEET

Debut Wall Hung WC - DWHPAN

R2

NO.	Description	Product Code	Fixings included	Gross Weight
1	Soft Close Seat	DSCTS2	YES	2.6 KG
2	Wall Hung WC	DWHPAN	YES	25 KG



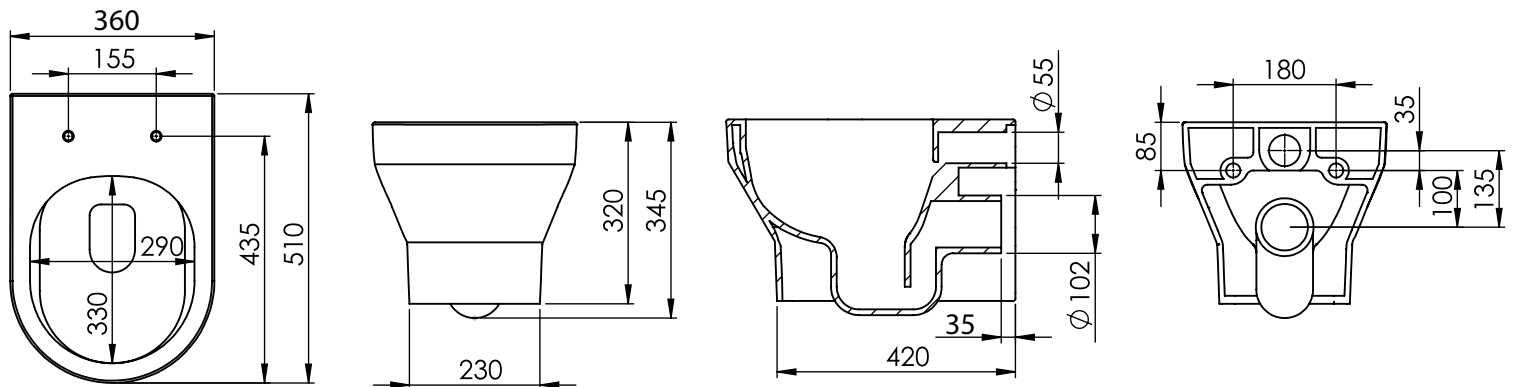
Spares Codes

Wall Hung Pan Fixings - SP18524

Seat Fixing Pack - SP17862

DIMENSIONS

DIAGRAMS NOT TO SCALE | ALL DIMENSIONS IN MM TOLERANCE OF ± 5MM
ALL PRODUCTS CONFORM TO BRITISH STANDARDS



*Dimensions are subject to change, customers are advised to measure actual product before commencing installation.
**Fixing point dimensions are for guidance only. The positions of fixings must be checked when product is received.

FAQs

Q - Do I need to use a wall hung frame?

A - Yes. It is essential that this product is installed onto a frame

Q - How do I access the fixing bolts to secure the WC

A - Through the seat holes

Key Dimensions Descriptions	Key Dimensions (mm)
Front to Back Footprint	420mm
Left to Right Footprint	230mm
Bowl Front to Back	330mm
Bowl Left to Right	290mm
Pan Height	345mm
Pan Overall front to Back	510mm