

Does it Fit?

Toilet Seat Fit Template

1) Print the guide on 4x A4 paper, ensure that you select 'Actual Size' or set 'Custom Scale' to 100%.

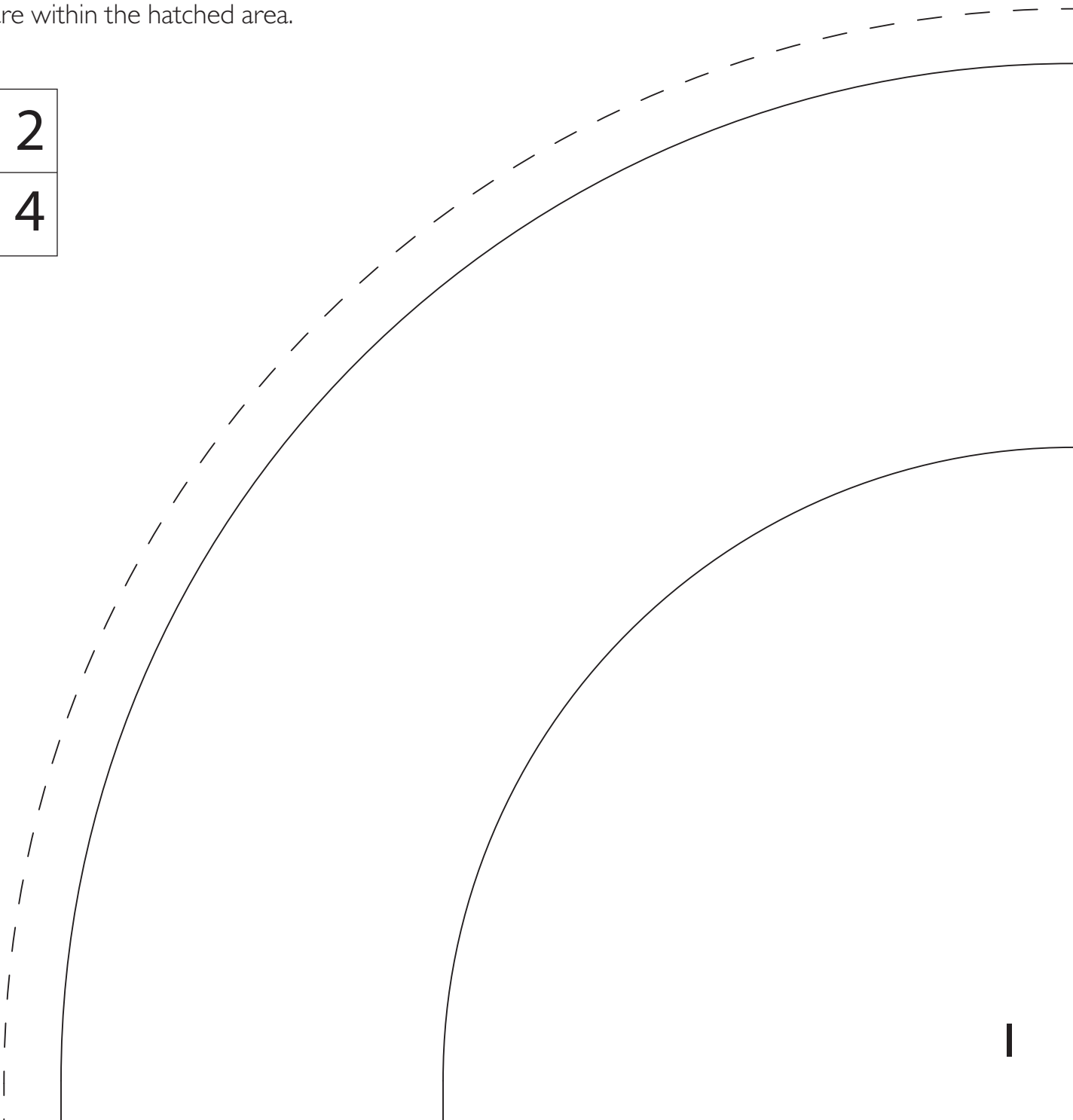
2) Tape all 4 pieces together with no overlap.

Note: There will be a gap in the profile due to printing borders, the template size will still be correct.

3) Cut along the outline of the seat.

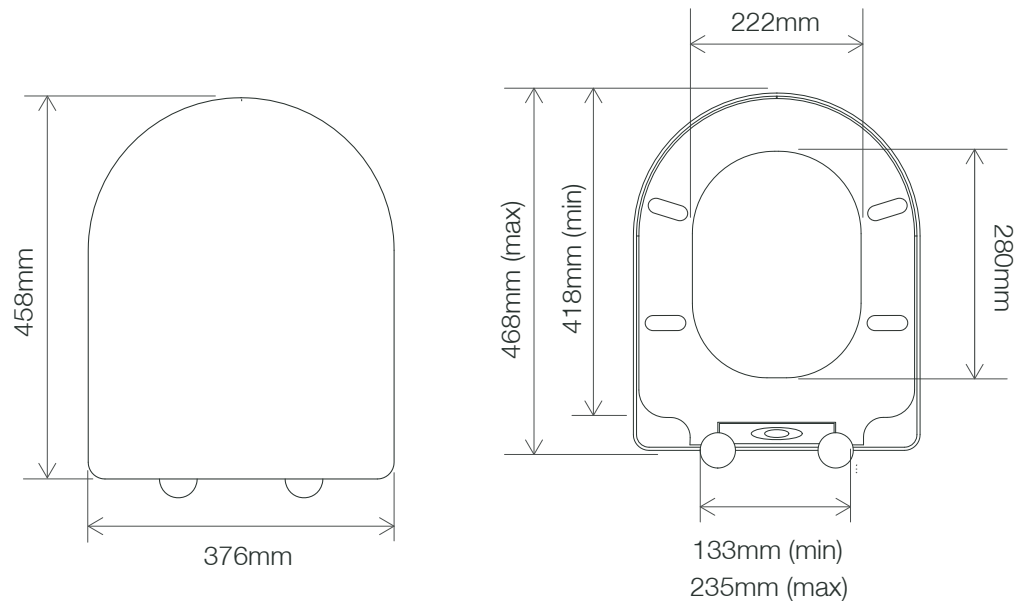
4) Lay the template over the pan, when you are happy that the profile fits, check that the fixing holes on the pan are within the hatched area.

1	2
3	4



8704WSC

Define D Shaped SC QR Toilet Seat



Seat Outline

Lid Outline

