

Technical Data Sheet

Ergo 2F Concealed Shower System

ROPER RHODES®
TRADE SOLUTIONS

No.	Description	Codes	Fixings Included
1	Ergo 2F Concealed Shower System	TR3007	YES



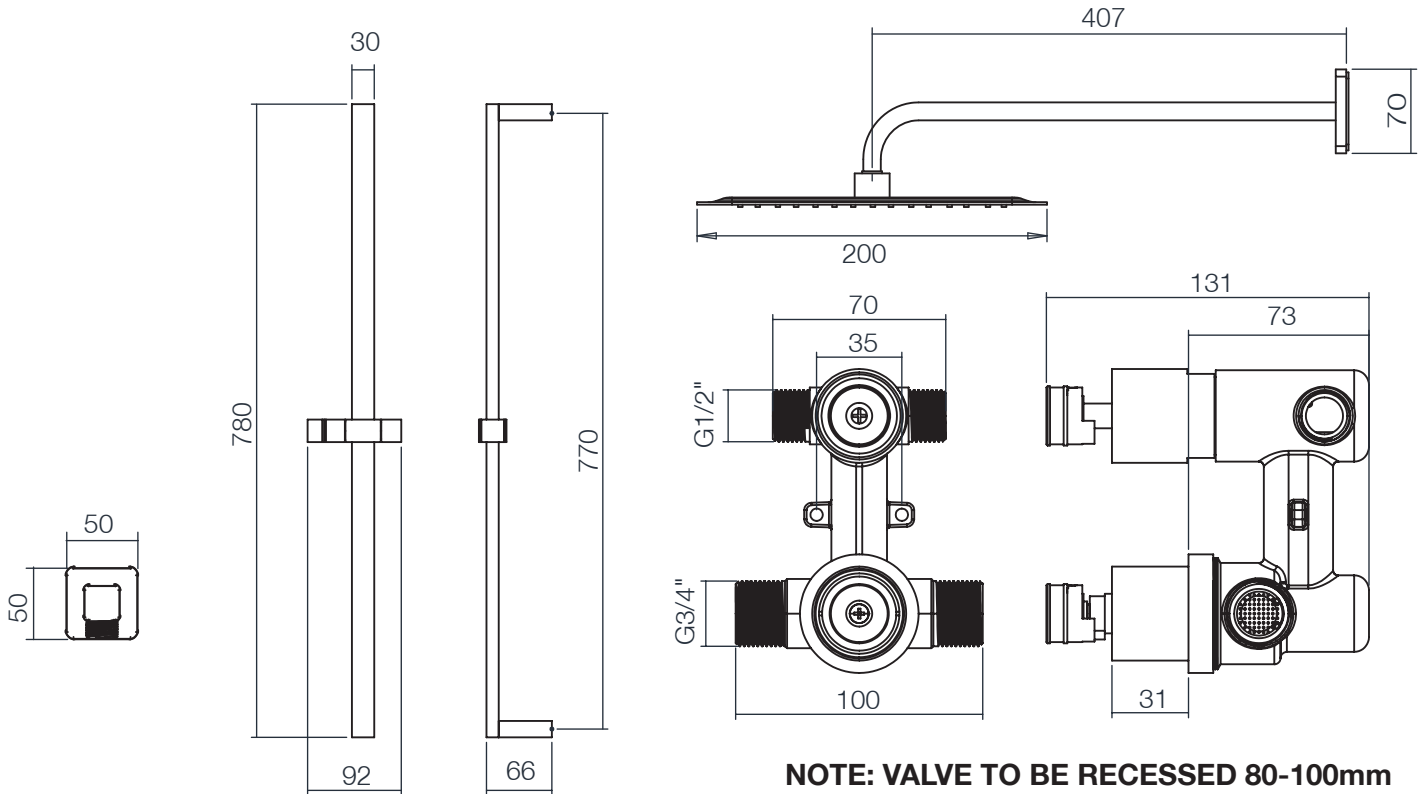
Chrome Plated



FLOW RATE DATA IS TESTED UNDER LABORATORY CONDITIONS: ACTUAL FLOW RATE MAY VARY DEPENDING ON DOMESTIC SUPPLY AND ACCESSORIES

Minimum Pressure:	1BAR
Inlet Pressure	Flow Rate (l/min)
0.5bar	8
1bar	9
2bar	13.5
3bar	17.5

Dimensions - Overview



NOTE: VALVE TO BE RECESSED 80-100mm FROM FINISHED WALL SURFACE

FAQs

How tall is the riser rail? 780mm

How long is the shower hose? 1.5m

What is the recommended minimum pressure for the valve? 1.0bar

What is the valve connection size? 1/2" BSP for outlets / 3/4" BSP for inlets

Components

Shower Arm, Shower Head - Brass,
Wall Elbow, Valve Handles - Brass,
Riser Rail, Shower Hose - Stainless Steel,
Shower Handset, Slider - ABS,
Concealed Valve - Brass

Technical Data Sheet

ROPER RHODES®
TRADE SOLUTIONS

Ergo 2F Concealed Shower System - Black

No.	Description	Codes	Fixings Included
1	Ergo 2F Concealed Shower System - Black	TR3031	YES

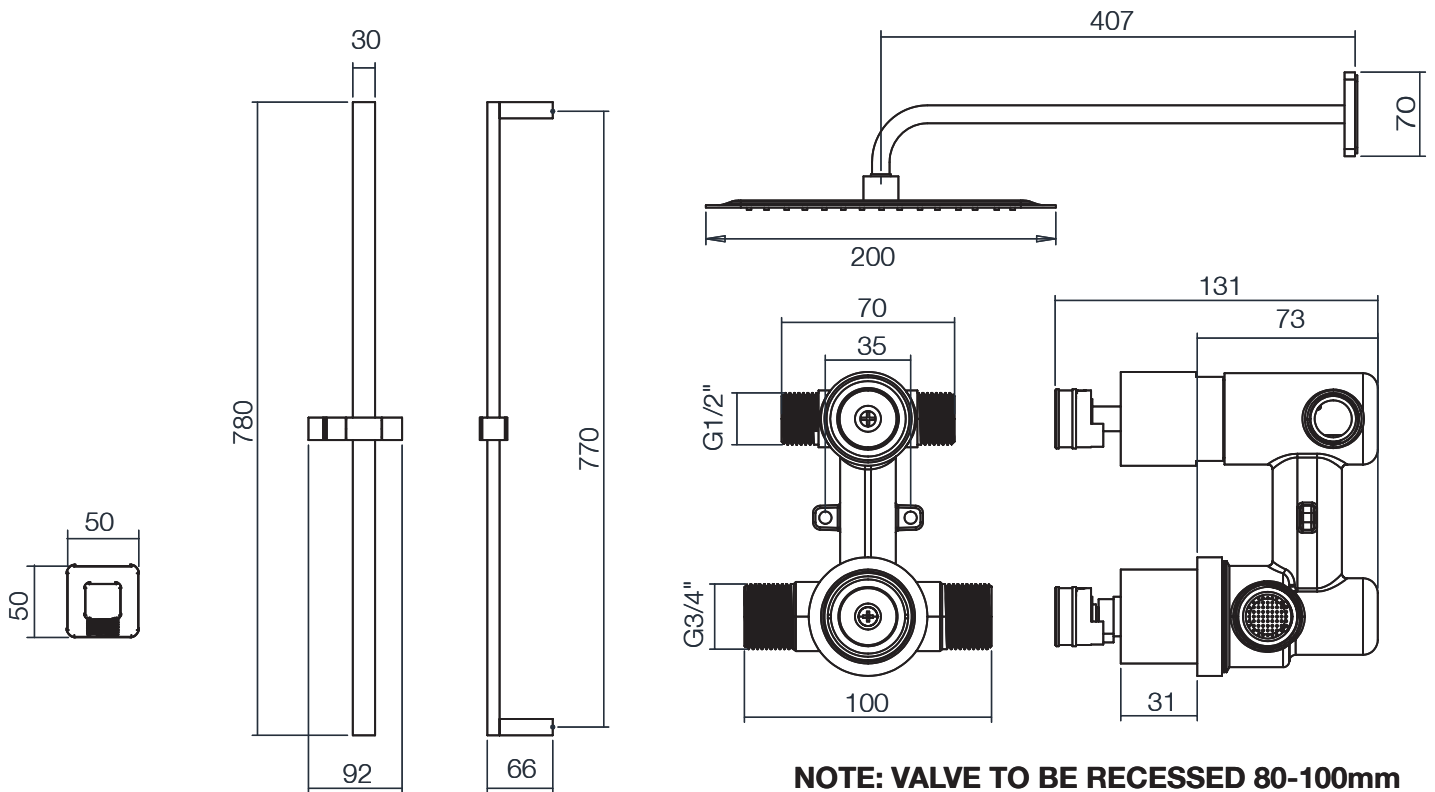


Black Electroplated

FLOW RATE DATA IS TESTED UNDER LABORATORY CONDITIONS: ACTUAL FLOW RATE MAY VARY DEPENDING ON DOMESTIC SUPPLY AND ACCESSORIES

Minimum Pressure:	1BAR
Inlet Pressure	Flow Rate (l/min)
0.5bar	8
1bar	9
2bar	13.5
3bar	17.5

Dimensions - Overview



NOTE: VALVE TO BE RECESSED 80-100mm FROM FINISHED WALL SURFACE

FAQs

How tall is the riser rail? 826mm

How long is the shower hose? 1.5m

What is the recommended minimum pressure for the valve? 1.0bar

What is the valve connection size? 1/2" BSP for outlets / 3/4" BSP for inlets

Components

Shower Arm, Shower Head - Brass,
Wall Elbow, Valve Handles - Brass,
Riser Rail, Shower Hose - Stainless Steel,
Shower Handset, Slider - ABS,
Concealed Valve - Brass

Technical Data Sheet

Ergo 2F Concealed Shower System - Brass

No.	Description	Codes	Fixings Included
1	Ergo 2F Concealed Shower System - Brass	TR3032	YES

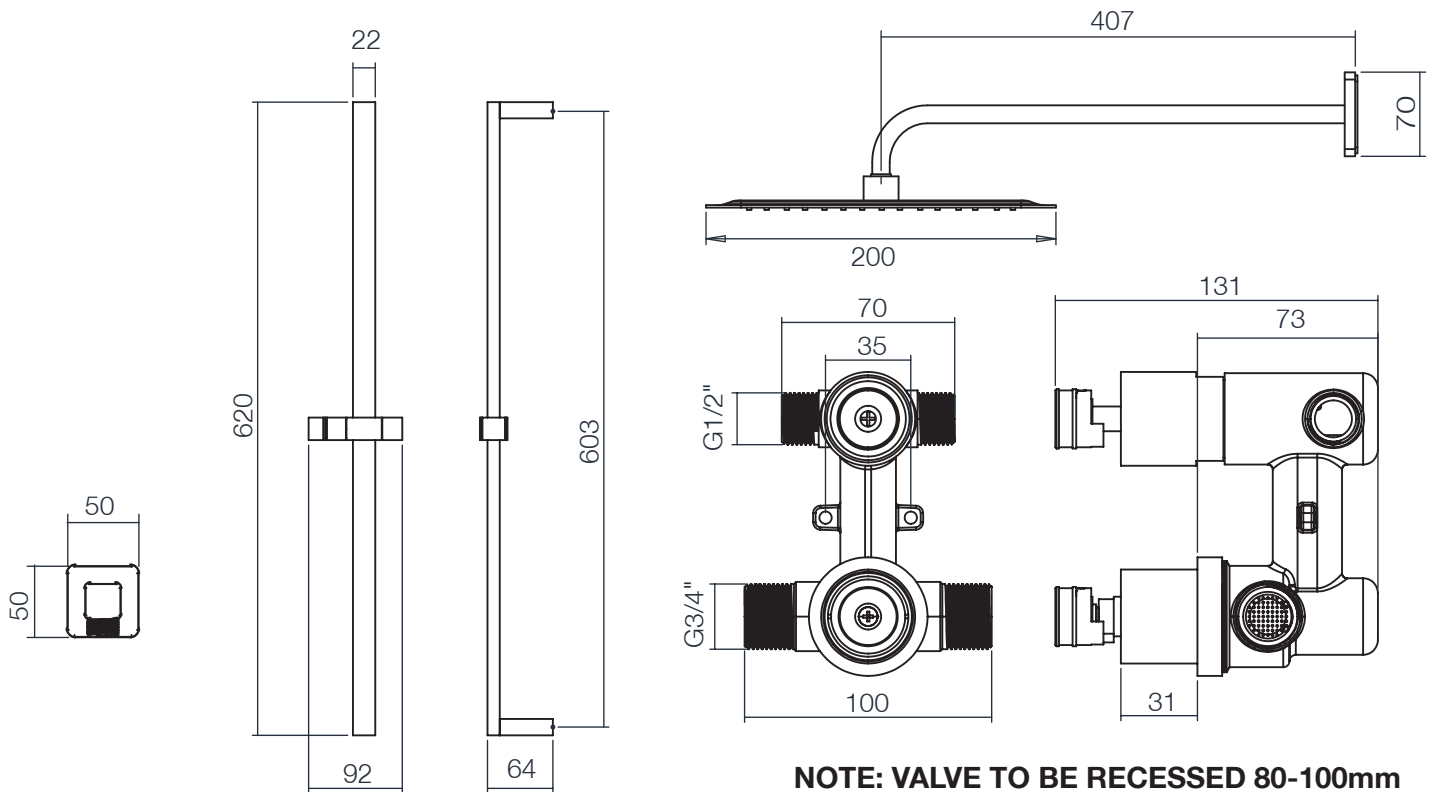


Brushed Brass PVD

**FLOW RATE DATA IS TESTED UNDER
LABORATORY CONDITIONS: ACTUAL FLOW
RATE MAY VARY DEPENDING ON DOMESTIC
SUPPLY AND ACCESSORIES**

Minimum Pressure:	1BAR
Inlet Pressure	Flow Rate (l/min)
0.5bar	8
1bar	9
2bar	13.5
3bar	17.5

Dimensions - Overview



**NOTE: VALVE TO BE RECESSED 80-100mm
FROM FINISHED WALL SURFACE**

FAQs

How tall is the riser rail? 826mm

How long is the shower hose? 1.5m

What is the recommended minimum pressure for the valve? 1.0bar

What is the valve connection size? 1/2" BSP for outlets / 3/4" BSP for inlets

Components

- Shower Arm, Shower Head - Brass,
- Wall Elbow, Valve Handles - Brass,
- Riser Rail, Shower Hose - Stainless Steel,
- Shower Handset, Slider - ABS,
- Concealed Valve - Brass