

## FURNITURE AFTERCARE INSTRUCTIONS

As with all wooden furniture, this product should be treated with care.

### We recommend...



Wipe away any water splashes or condensation after use. Excessive exposure to water will deteriorate the furniture.



All bathrooms should be well ventilated with a suitable extractor fan.



Clean with a soft damp cloth only.



For removal of lime scale deposits use a suitable proprietary cleaner. If necessary test on an inconspicuous area first.

### Please DO NOT...



Do not scrub or scour



Do not use abrasive cleaning agents

## Replacement Components

Should you require any replacement components for this product please contact Roper Rhodes using the contact details below.

## SAFETY NOTICE

The unit and basin should be fully secured to a suitably reinforced wall to ensure stability. The wall plugs supplied are only suitable for solid stone/brick walls. For plasterboard walls use specialist wall plugs along with supplementary wall strengthening as units can be very heavy. Seek advice from a specialist about the suitability of fixings to be used.

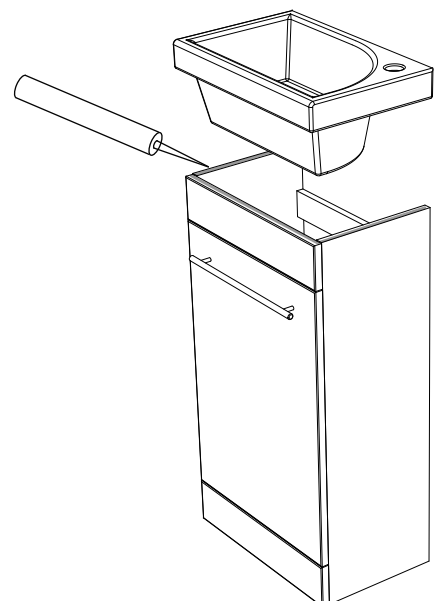
Wear suitable eye protection when drilling. Take care when using power tools near water - the use of a residual current device (RCD) is recommended. Beware of hidden pipes or cables. Take care when drilling tiled surfaces as the drill might slip. Use a piece of masking tape to prevent the drill from wandering.

## BASIN INSTALLATION (Once all plumbing is complete)

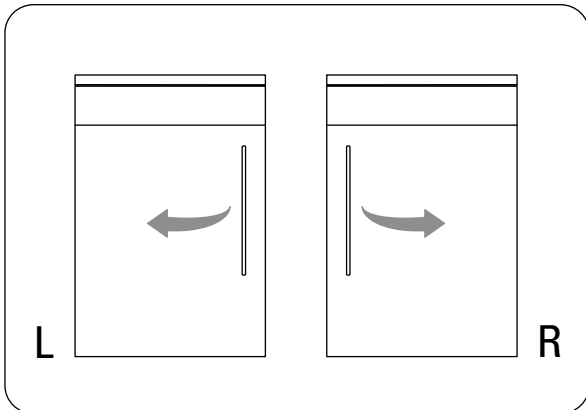
- Apply a bead of silicone to the basin on 3 edges to fix to and protect the side panels as per image to right.

- Typically the basin also has a silicone bead along the back edges where it meets the wall (not shown)

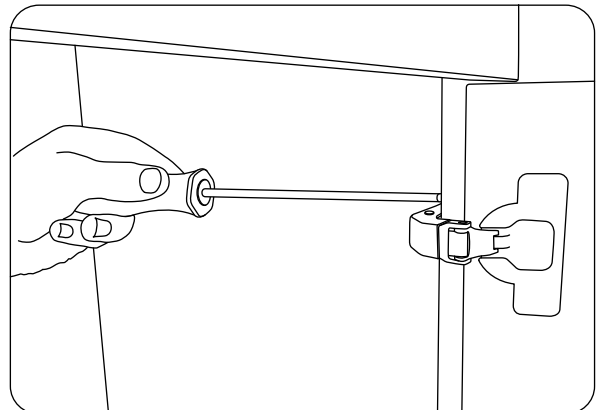
- The basin should be held in place while the silicone cures.



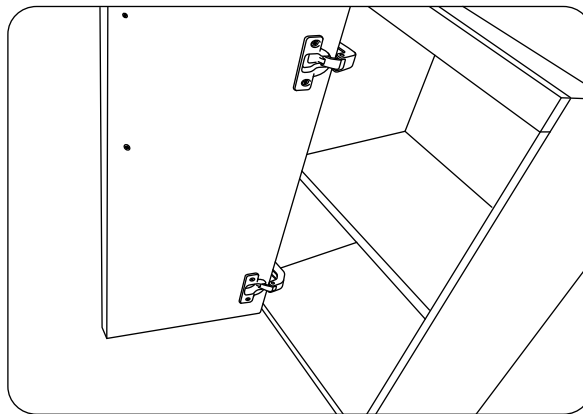
## REVERSING DOORS



Depending on the intended location of the unit, you have the option of choosing whether you want a left or right hand opening door.

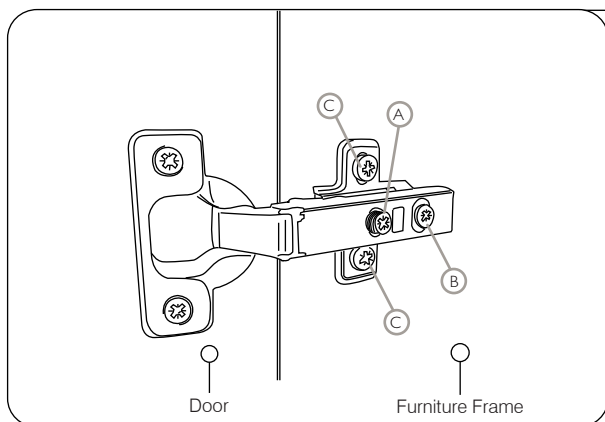


If the delivered configuration isn't suitable remove door and hinges from unit using a suitable tool.



Reattach the door to the chosen side and replace cover caps in the obsolete hinge holes.

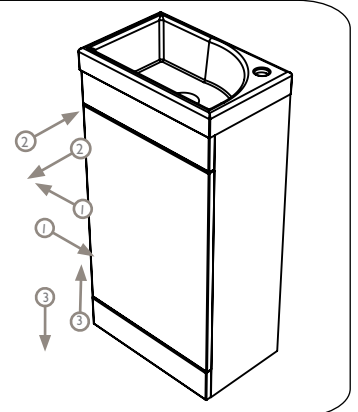
## HINGE ADJUSTMENT



To make adjustment 1 (see diagram to left) tighten/loosen adjustment screw A.

To make adjustment 2 (see diagram to left) simply turn screw B

To make adjustment 3 (see diagram to left) simply turn screws C



## INSTALLING HANDLES

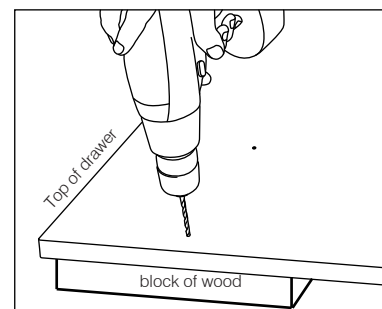
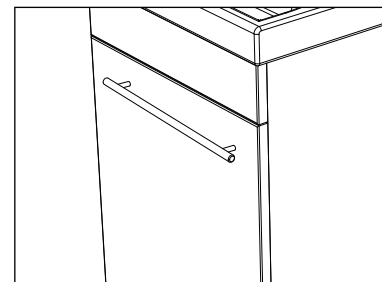
### For all pull handles

- Remove the door as per instructions in pages 2.
- Included in the box is a template for fixing the handles at our recommended heights.
- Tape this in place in the centre of the front of the door and mark the locations of the relevant handle holes.

- Clamp a piece of wood on the back of the door (being careful not to damage the front) and drill through carefully from the front. See figure 12.

- Screw handles into place.
- Re-install door ensuring hinge is correctly engaged.

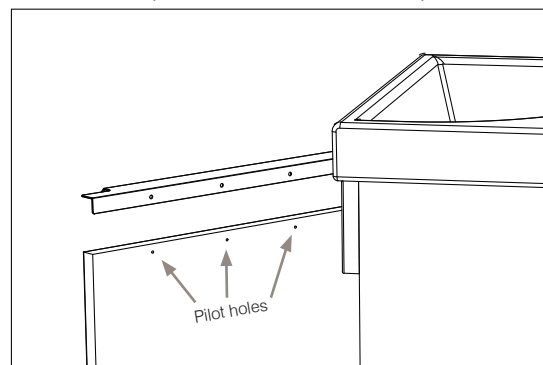
Pull Handles Example



### For all top mounted handles

- Hold handle securely in centre of door.
- Make small 1mm pilot holes at approximately 2mm depth.
- Using screws provided with handles, fix in place.

Top Mounted Handles Example



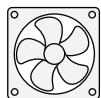
## FURNITURE AFTERCARE INSTRUCTIONS

As with all wooden furniture, this product should be treated with care.

### We recommend...



Wipe away any water splashes or condensation after use. Excessive exposure to water will deteriorate the furniture.



All bathrooms should be well ventilated with a suitable extractor fan.



Clean with a soft damp cloth only.



For removal of lime scale deposits use a suitable proprietary cleaner. If necessary test on an inconspicuous area first.

### Please DO NOT...



Do not scrub or scour



Do not use abrasive cleaning agents

## Replacement Components

Should you require any replacement components for this product please contact Roper Rhodes using the contact details below.

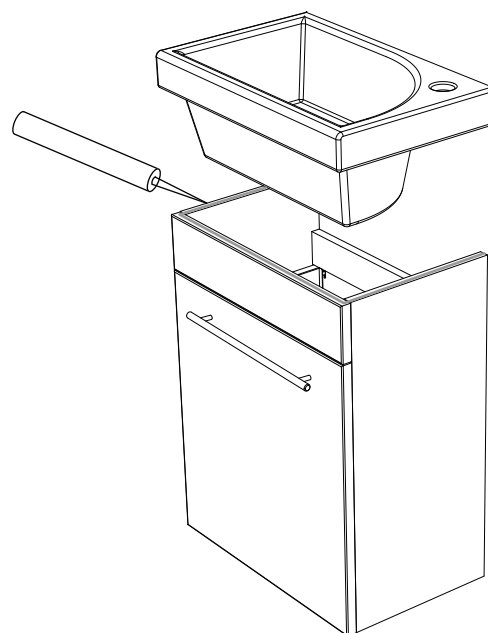
## SAFETY NOTICE

The unit and basin should be fully secured to a suitably reinforced wall to ensure stability. The wall plugs supplied are only suitable for solid stone/brick walls. For plasterboard walls use specialist wall plugs along with supplementary wall strengthening as units can be very heavy. Seek advice from a specialist about the suitability of fixings to be used.

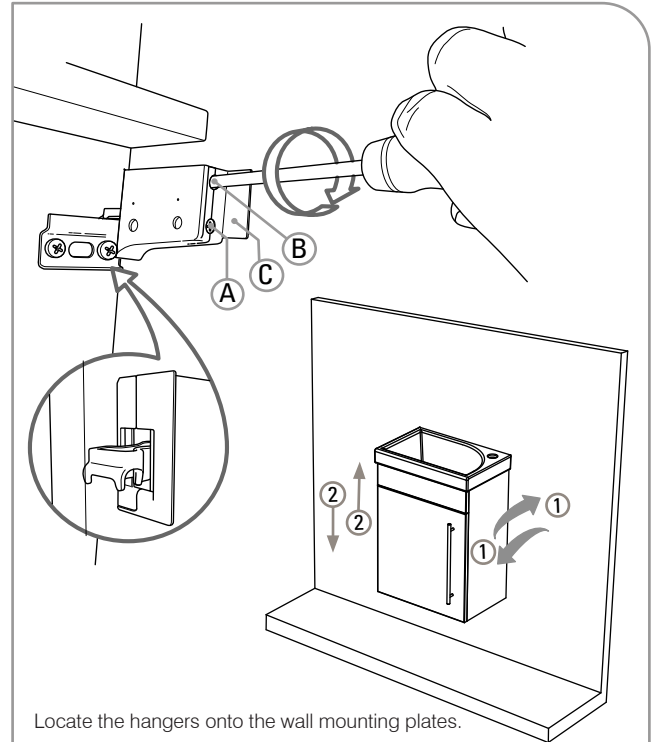
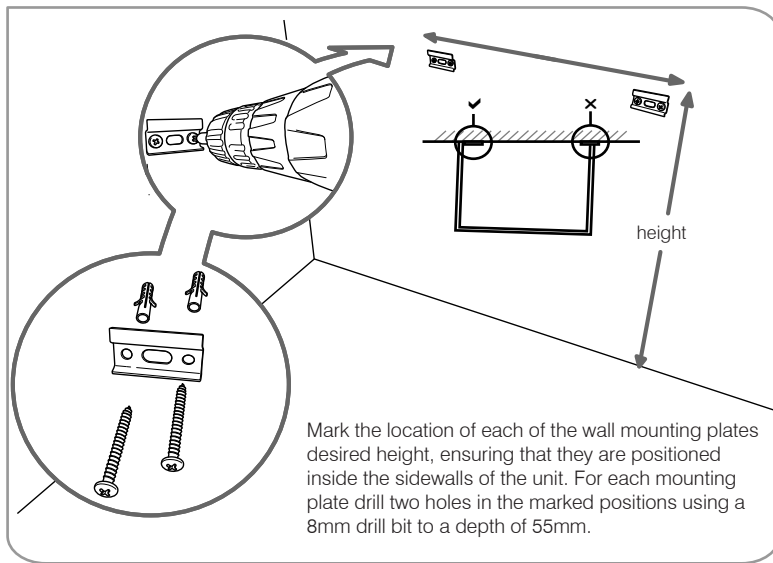
Wear suitable eye protection when drilling. Take care when using power tools near water - the use of a residual current device (RCD) is recommended. Beware of hidden pipes or cables. Take care when drilling tiled surfaces as the drill might slip. Use a piece of masking tape to prevent the drill from wandering.

## BASIN INSTALLATION (Once all plumbing is complete)

- Apply a bead of silicone to the basin on 3 edges to fix to and protect the side panels as per image to right.
- Typically the basin also has a silicone bead along the back edges where it meets the wall (not shown)
- The basin should be held in place while the silicone cures.



## APPLYING UNIT TO WALL



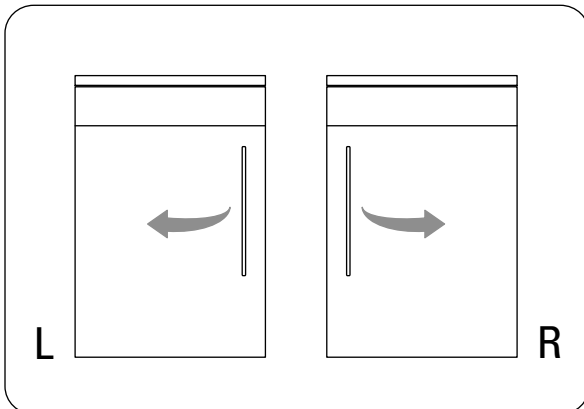
Locate the hangers onto the wall mounting plates.

To make adjustment 1 (see diagram) tighten/ loosen adjustment screw A.

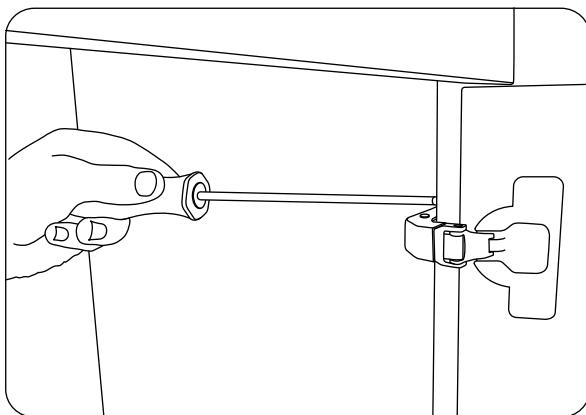
To make adjustment 2 (see diagram) tighten/ loosen adjustment screw B.

Use cover slap labelled C once adjustment is made.

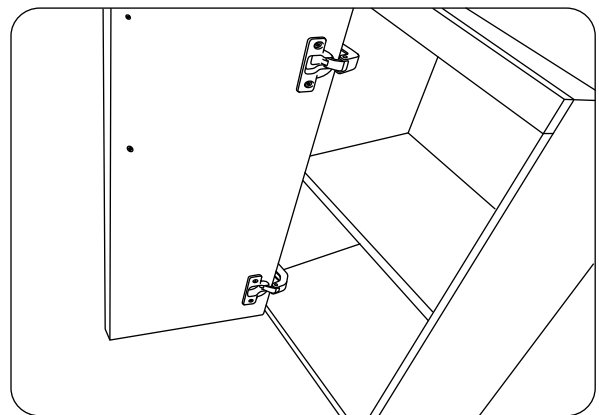
## REVERSING DOORS



Depending on the intended location of the unit, you have the option of choosing whether you want a left or right hand opening door.

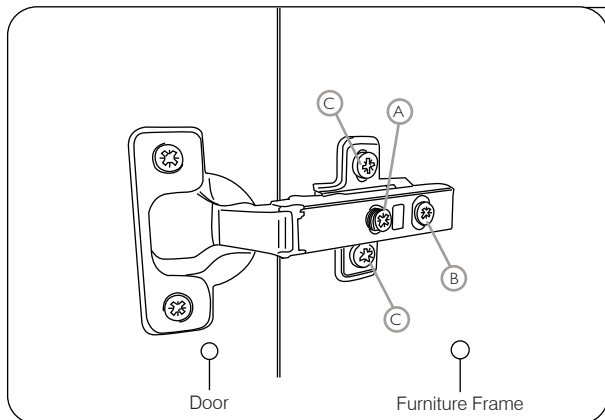


If the delivered configuration isn't suitable remove door and hinges from unit using a suitable tool.



Reattach the door to the chosen side and replace cover caps in the obsolete hinge holes.

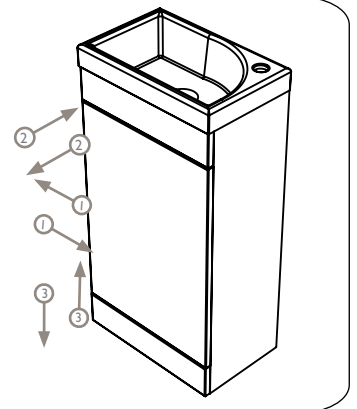
## HINGE ADJUSTMENT



To make adjustment 1 (see diagram to left) tighten/loosen adjustment screw A.

To make adjustment 2 (see diagram to left) simply turn screw B

To make adjustment 3 (see diagram to left) simply turn screws C



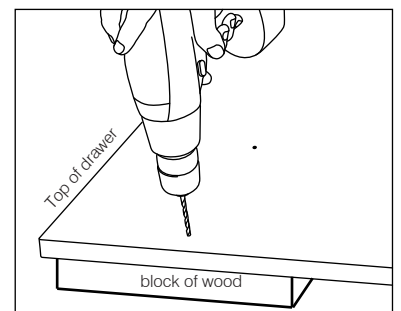
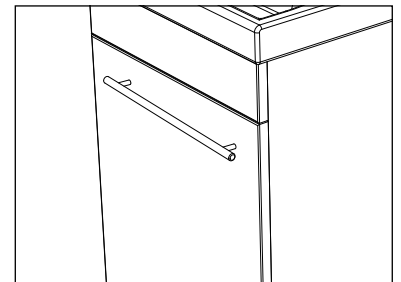
## INSTALLING HANDLES

### For all pull handles

- Remove the door as per instructions in pages 2.
- Included in the box is a template for fixing the handles at our recommended heights.
- Tape this in place in the centre of the front of the door and mark the locations of the relevant handle holes.

- Clamp a piece of wood on the back of the door (being careful not to damage the front) and drill through carefully from the front. See figure 12.
- Screw handles into place.
- Re-install door ensuring hinge is correctly engaged.

Pull Handles Example



### For all top mounted handles

- Hold handle securely in centre of door.
- Make small 1mm pilot holes at approximately 2mm depth.
- Using screws provided with handles, fix in place.

Top Mounted Handles Example

