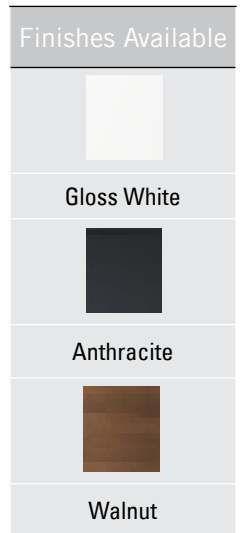
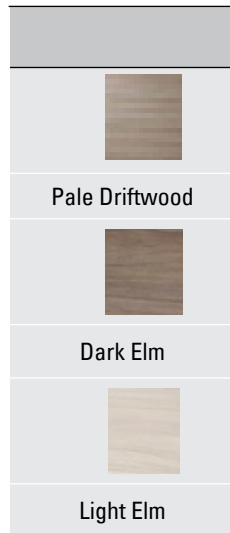
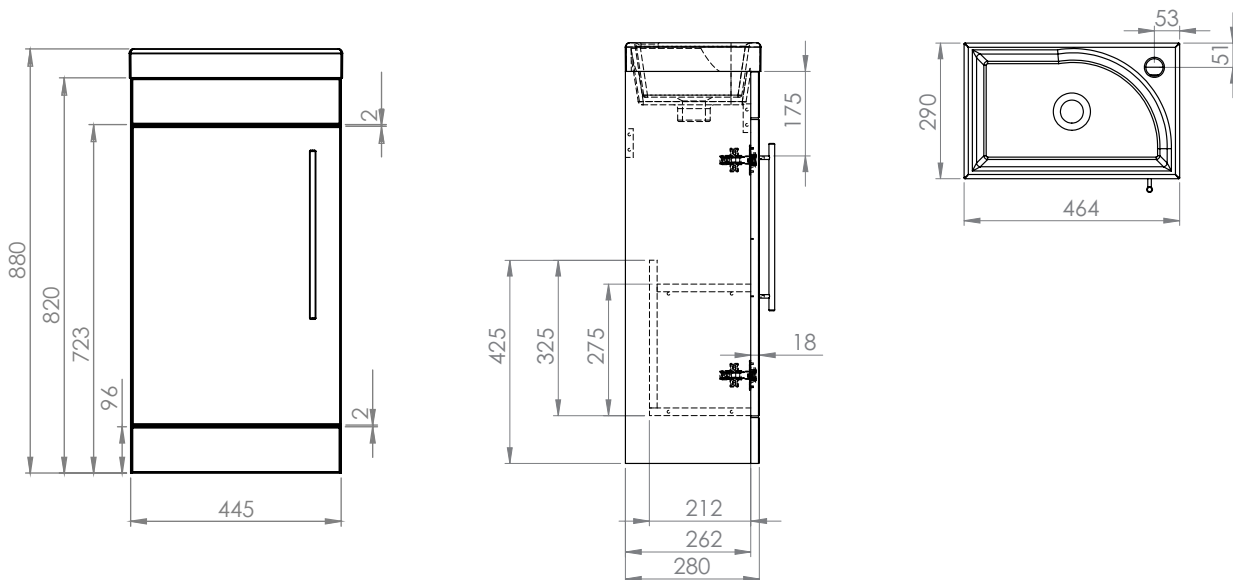


No.	Description	Code	Fixings Included
1	455 Freestanding Unit	ESVB45	No
2	455 Wall mounted Unit	ESWM45	Yes



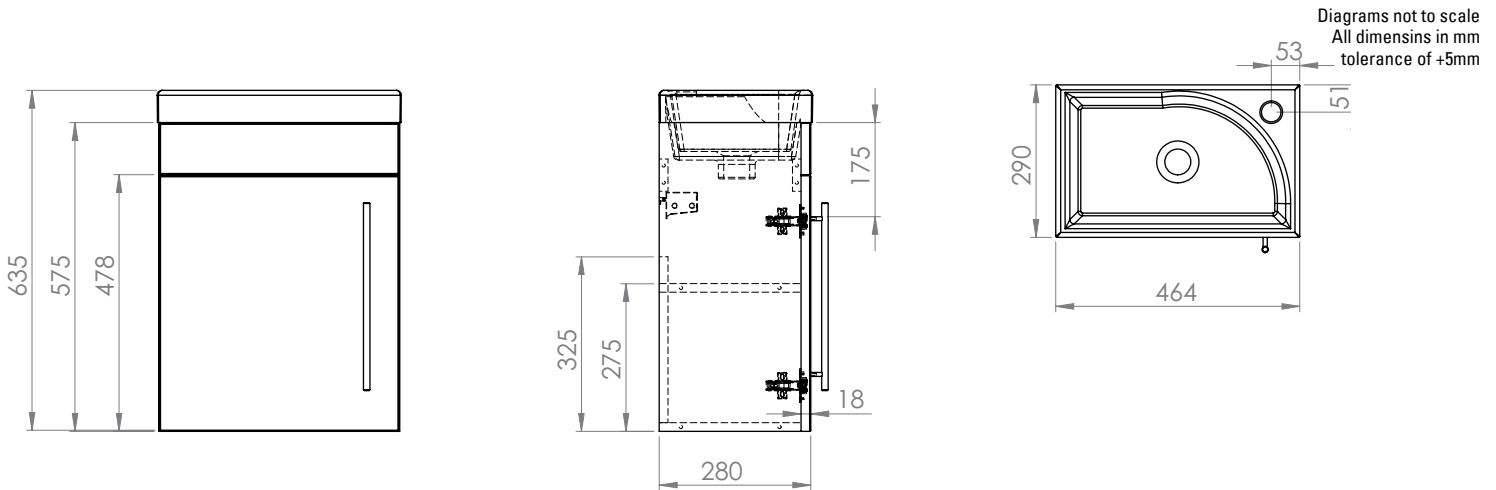
**FIXINGS:
HANGING BRACKETS &
SCREWS**

Dimensions - Esta Floormounted

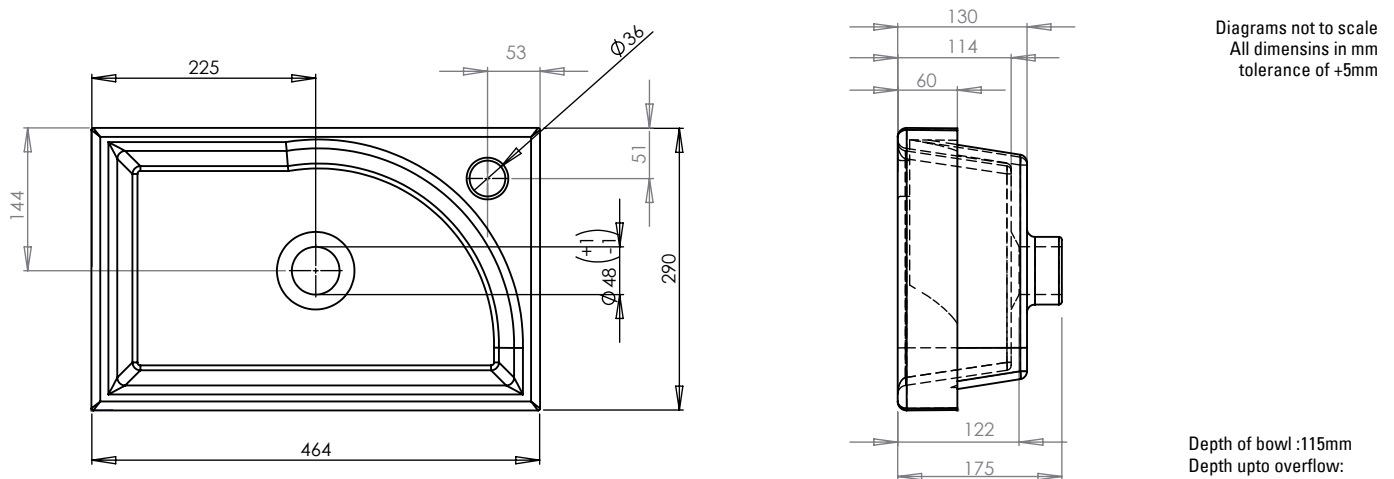


Diagrams not to scale
All dimensins in mm
tolerance of +5mm

Dimensions - Esta Wallmounted



Dimensions - Esta Basin



FAQ's

Q: Is the door reversible?

A: Yes so there are pilot holes to be drilled for the handle. The customer can choose to have the handle horizontal or vertically mounted

Q: What are the hole centres for the handle?

A: The distance between the hold centres for the handle is 287mm.

Q: Does the basin have an overflow?

A: Yes, this is built into the basin so the customer should use a slotted waste

Q: Does the floormounted unit have hangers?

A: No, but it should be fixed back to the wall through the back brace. Fixings are not supplied so suitable ones should be bought for wall type.

Q: How do I fix the basin to the unit?

A: This should be siliconed in place along the side panels and top fascia. This will fix the basin in place and also prevent any water ingress

Q: Is the shelf removable / adjustable?

A: They are not adjustable. In the WM it is fixed and a structural piece. In the FM it is removable so can be replaced

Q: Are the plinths and fascias removable?

A: Yes, but they are screwed in from the back so can only be replaced easily before installation.

FAQ's continued

Q: Are the handles pre drilled or pilot holes?

A: Pilot holes on the back of door

Q: What is the basin's internal depth?

A: The internal depth of the basin is 115mm.

Frequently Requested Extra Dimensions: Internal Bowl of Esta Basin ESB45

Description	Dimension
Front to Back	210 mm
Left to Right	380 mm
Tap shelf back to centre	65 mm
Tap shelf back to front	130 mm
Tap hole centre to waste centre	185 mm
Underneath edge front to back	28 mm