

Technical Data Sheet

ROPER RHODES®

Event Click Round 1F Push Button Shower Valve - SV3216

No.	Description	Code	Fixings Included
1	Event Click Round 1F Push Button Shower Valve	SV3216	YES

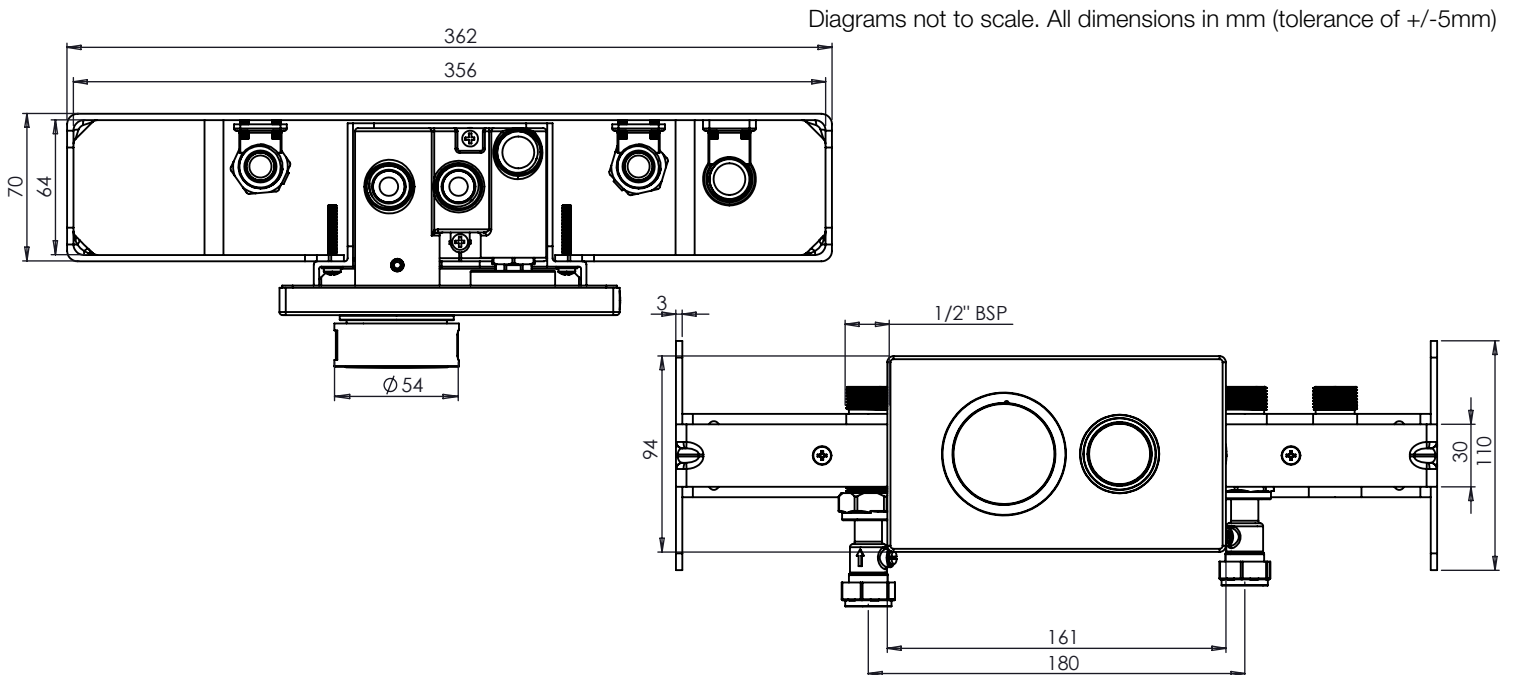
Whats in the Box?	Material
Cover Plate and controls	Chrome Plated Zinc
Valve	(Body) Brass
Flexible Hoses	EPDM
Installation Frame	Zinc Plated Steel



Inlet Pressure	Flow Rate (l/min)
1bar	10.2
2bar	14.4
3bar	17.4
4bar	19.5
5bar	21.6

Flow from valve may vary depending on accessories and domestic supply.

Dimensions - SV3216



FAQs

How many manifold fixing points does the valve have? Four - two on the bottom and two on top of the valve.

What is the size of the connections? The valve uses 1/2" connections.

What is the recommended operating pressure? 1.0bar

What size Pipework do i need? 15mm

Is it suitable for stud walls? It is recommended you use CLS size 89mm depth within the wall

Does the valve include isolation points? Yes

Components

Valve - RR15

Chrome Cover Plate - SVCOMP10

Technical Data Sheet

ROPER RHODES®

Event Click Round 1F Bath Filler System Chrome - SVSET154

No.	Description	Code	Fixings Included
1	Event Click Round 1F Bath Filler System Chrome	SVSET154	YES

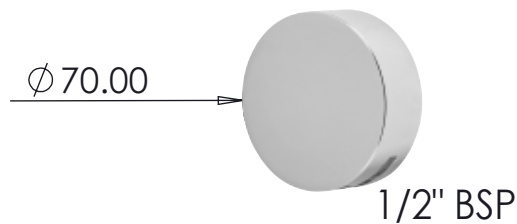
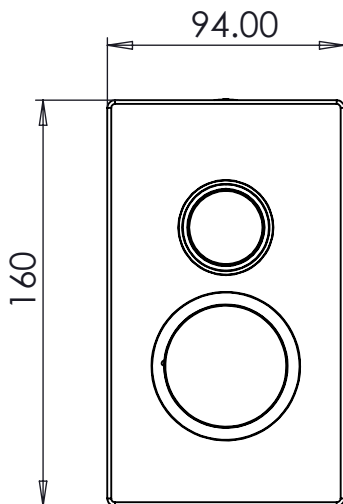


Inlet Pressure	Flow Rate (l/min)
1bar	10.2
2bar	14.4
3bar	17.4
4bar	19.5
5bar	21.6

Flow from valve may vary depending on accessories and domestic supply.

Dimensions - SVSET154

Diagrams not to scale. All dimensions in mm (tolerance of +/-5mm)



FAQs

How many manifold fixing points does the valve have? Four - two on the bottom and two on top of the valve.

What is the size of the connections? The valve uses 1/2" connections.

What size Pipework do i need? 15mm

Is it suitable for stud walls? It is recommended you use CLS size 89mm depth within the wall

Does the valve include isolation points? Yes

What is the recommended operating pressure? 1.0bar

Components

Valve - RR15

Chrome Cover Plate - SVCOMP10

Chrome Smartflow Bath Filler - SVACS02