

Technical Data Sheet

ROPER RHODES®

Event Click Round 1F Push Button Shower Valve - SV3216

| No. | Description | Code | Fixings Included |
|-----|---|--------|------------------|
| 1 | Event Click Round 1F Push Button Shower Valve | SV3216 | YES |

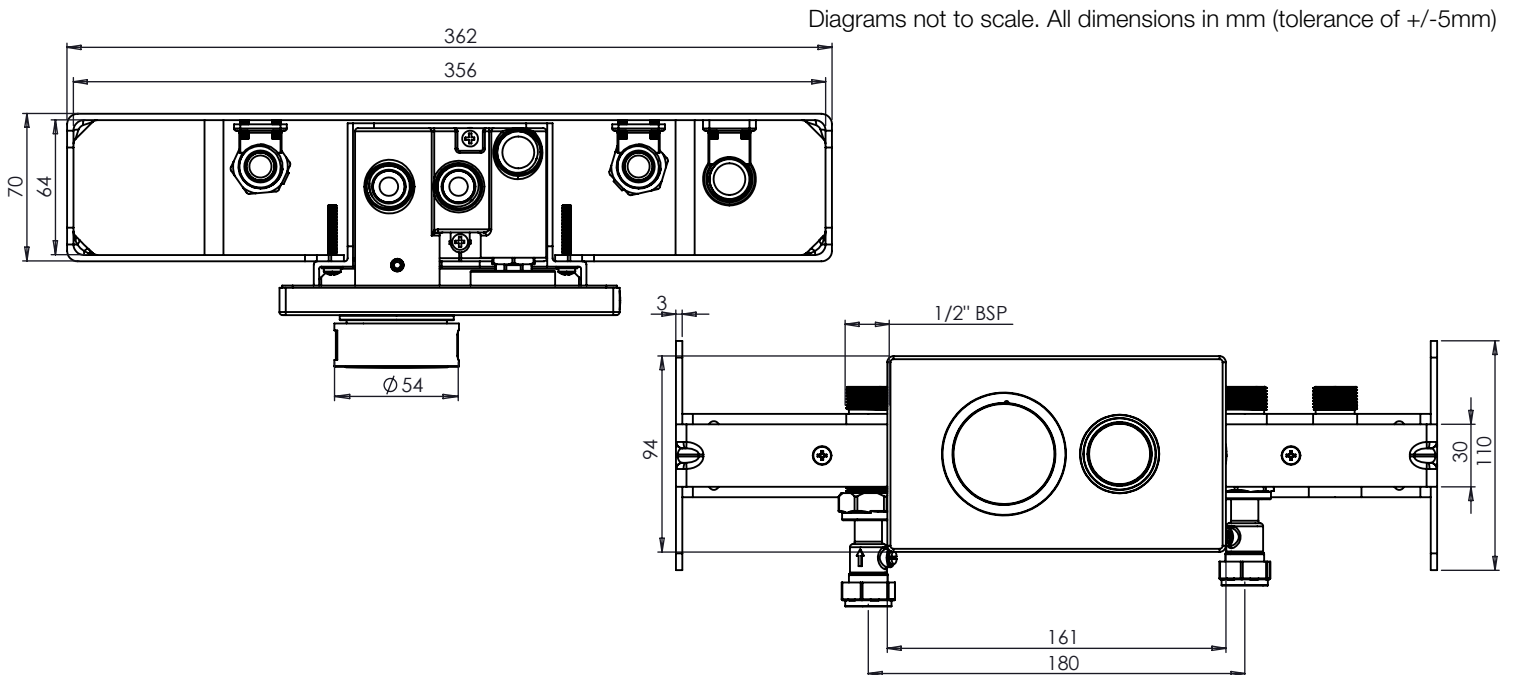
| Whats in the Box? | Material |
|--------------------------|--------------------|
| Cover Plate and controls | Chrome Plated Zinc |
| Valve | (Body) Brass |
| Flexible Hoses | EPDM |
| Installation Frame | Zinc Plated Steel |



| Inlet Pressure | Flow Rate (l/min) |
|----------------|-------------------|
| 1bar | 10.2 |
| 2bar | 14.4 |
| 3bar | 17.4 |
| 4bar | 19.5 |
| 5bar | 21.6 |

Flow from valve may vary depending on accessories and domestic supply.

Dimensions - SV3216



FAQs

How many manifold fixing points does the valve have? Four - two on the bottom and two on top of the valve.

What is the size of the connections? The valve uses 1/2" connections.

What is the recommended operating pressure? 1.0bar

What size Pipework do i need? 15mm

Is it suitable for stud walls? It is recommended you use CLS size 89mm depth within the wall

Does the valve include isolation points? Yes

Components

Valve - RR15

Chrome Cover Plate - SVCOMP10

Technical Data Sheet

ROPER RHODES®

Event Click Round 1F Shower System with Riser Kit Chrome - SVSET155

| No. | Description | Code | Fixings Included |
|-----|--|----------|------------------|
| 1 | Event Click Round 1F Shower System with Riser Kit Chrome | SVSET155 | YES |

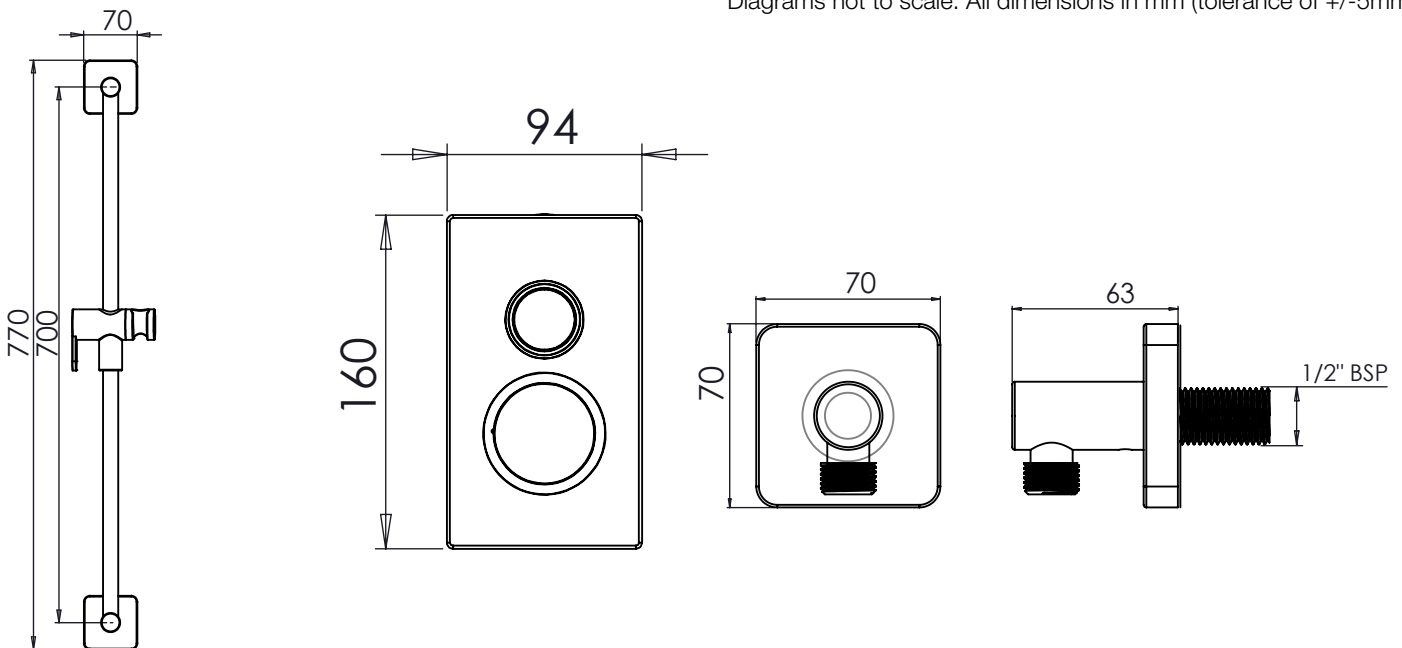


| Inlet Pressure | Flow Rate (l/min) |
|----------------|-------------------|
| 1bar | 10.2 |
| 2bar | 14.4 |
| 3bar | 17.4 |
| 4bar | 19.5 |
| 5bar | 21.6 |

Flow from valve may vary depending on accessories and domestic supply.

Dimensions - SVSET155

Diagrams not to scale. All dimensions in mm (tolerance of +/-5mm)



FAQs

How many manifold fixing points does the valve have? Four - two on the bottom and two on top of the valve.

What is the size of the connections? The valve uses 1/2" connections.

What size Pipework do i need? 15mm

Is it suitable for stud walls? It is recommended you use CLS size 89mm depth within the wall

Does the valve include isolation points? Yes

What is the recommended operating pressure? 1.0bar

Components

- Valve - RR15
- Chrome Cover Plate - SVCOMP10
- Riser Rail - SVRAIL08
- Brass Wall Elbow - SVACS16
- Easy Clean PVC Shower Hose - SVHOSE02
- Handset - SVHEAD38