

Technical Data Sheet

ROPER RHODES®

Event Click Round 2F Shower System with Shower head and Riser - SVSET157

No.	Description	Code	Fixings Included
1	Event Click Round 2F Shower System with Shower head and Riser	SVSET157	YES

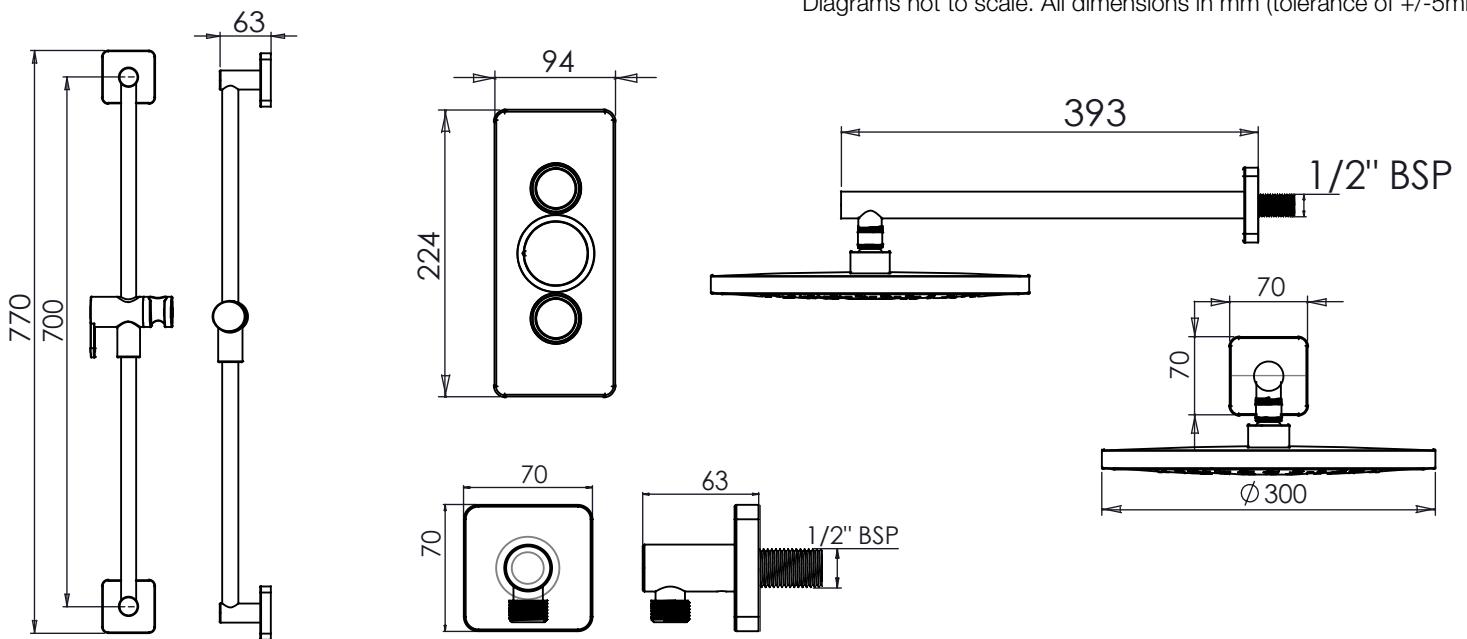


Inlet Pressure	Flow Rate (l/min)
1bar	9.7
2bar	14.0
3bar	17.0
4bar	19.0
5bar	21.0

Flow from valve may vary depending on accessories and domestic supply.

Dimensions - SVSET157

Diagrams not to scale. All dimensions in mm (tolerance of +/-5mm)



FAQs

What is the size of the connections? The valve uses 1/2" connections.

Can I have both shower options on at the same time? Yes

What size Pipework do i need? 15mm

Is it suitable for stud walls? It is recommended you use CLS size 89mm depth within the wall

Does the valve include isolation points? Yes

What is the recommended operating pressure? 1.0bar

Components

Valve - RR14

Chrome Cover Plate - SVCOMP3

Riser Rail - SVRAIL08

Handset - SVHEAD38

Easy Clean PVC Shower Hose - SVHOSE02

Brass Wall Elbow - SVACS16

Adjustable Shower Arm - SVARM11

Shower Head - SVHEAD35