

# Technical Data Sheet

# ROPER RHODES®

## Event Click Round 3F Push Button Shower Valve - SV3217

No.	Description	Code	Fixings Included
1	Event Click Round 3F Push Button Shower Valve	SV3217	YES

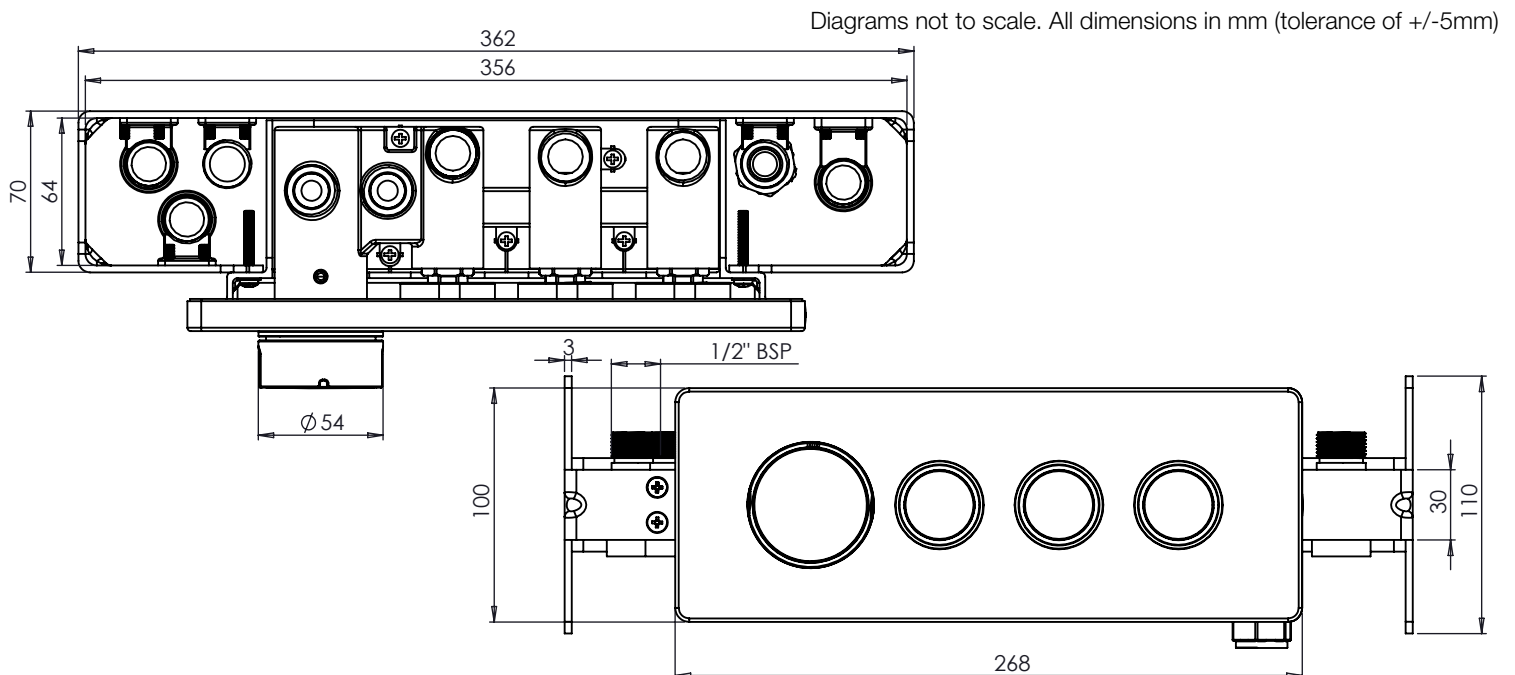
Whats in the Box?	Material
Cover Plate and controls	Chrome Plated Zinc
Valve	(Body) Brass
Flexible Hoses	EPDM
Installation Frame	Zinc Plated Steel



Inlet Pressure	Flow Rate (l/min)
1bar	10.1
2bar	15.0
3bar	18.4
4bar	20.5
5bar	22.5

Flow from valve may vary depending on accessories and domestic supply.

### Dimensions - SV3217



### FAQs

**How many manifold fixing points does the valve have?** Four - two on the bottom and two on top of the valve.

**What is the size of the connections?** The valve uses 1/2" connections.

**What size Pipework do i need?** 15mm

**Is it suitable for stud walls?** It is recommended you use CLS size 89mm depth within the wall

**Does the valve include isolation points?** Yes

**What is the recommended operating pressure?** 1.0bar

### Components

Valve - RR17

Chrome Cover Plate - SVCOMP9

# Technical Data Sheet

# ROPER RHODES®

## Event Click Round 3F Shower System with Riser Kit Bath Fill - SVSET159

No.	Description	Code	Fixings Included
1	Event Click Round 3F Shower System with Riser Kit Bath Fill	SVSET159	YES

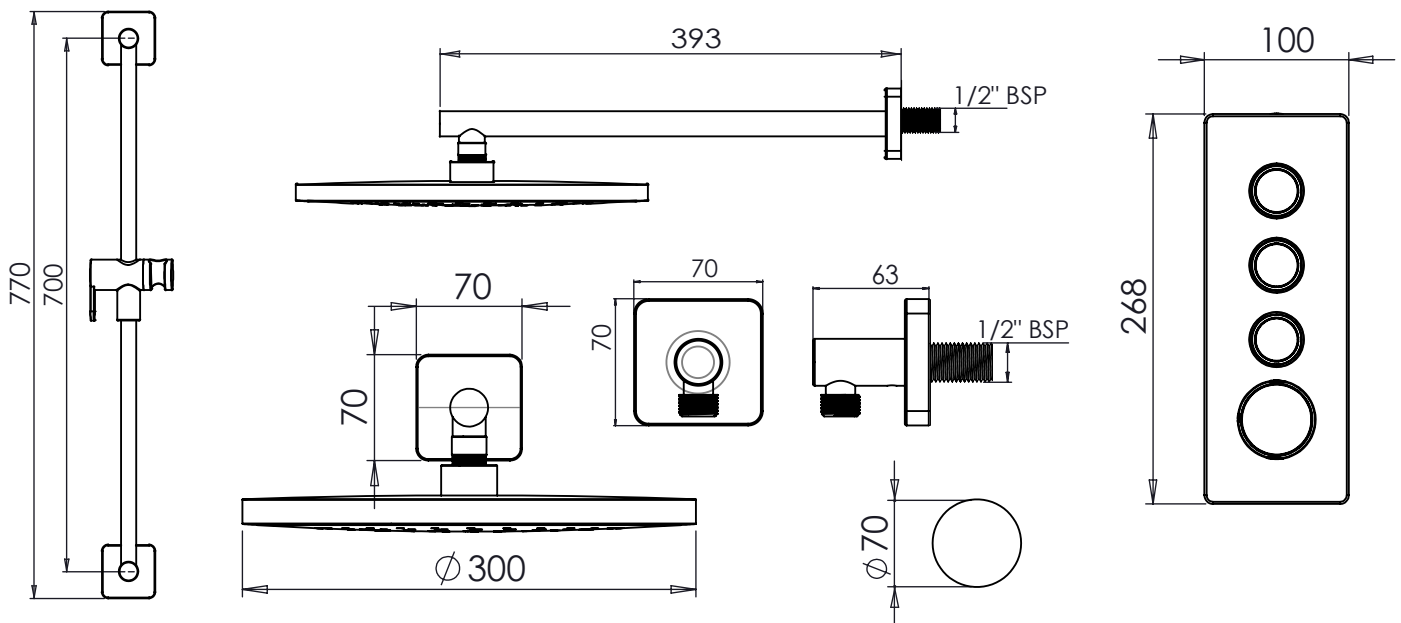


Inlet Pressure	Flow Rate (l/min)
1bar	10.1
2bar	15.0
3bar	18.4
4bar	20.5
5bar	22.5

Flow from valve may vary depending on accessories and domestic supply.

### Dimensions - SVSET159

Diagrams not to scale. All dimensions in mm (tolerance of +/-5mm)



### FAQs

**How many manifold fixing points does the valve have?** Four - two on the bottom and two on top of the valve.

**What is the size of the connections?** The valve uses 1/2" connections.

**Can I have both shower options on at the same time?** Yes

**What size Pipework do i need?** 15mm

**Is it suitable for stud walls?** It is recommended you use CLS size 89mm depth within the wall

**Does the valve include isolation points?** Yes

**What is the recommended operating pressure?** 1.0bar

### Components

- Valve - RR17
- Chrome Cover Plate - SVCOMP9
- Brass Wall Elbow - SVACS16
- Handset - SVHEAD38
- Easy Clean PVC Shower Hose - SVHOSE02
- Adjustable Shower Arm - SVARM11
- Shower Head - SVHEAD35
- Chrome Bath Filler - SVACS02
- Riser Rail - SVRAIL08