

# Technical Data Sheet

## Event-Click Round Shower Systems

# ROPER RHODES®

No.	Description	Code	Fixings Included
1	Event-Click Round Shower System Chrome	SVSET147	YES



Inlet Pressure	Flow Rate (l/min) Head	Flow Rate (l/min) Handset
1bar	9.7	9.5
2bar	14	13.5
3bar	17	16.5
4bar	19	18.5
5bar	21	20.5

Flow from valve may vary depending on accessories and domestic supply.

## Components - SVSET120

Diagrams not to scale. All dimensions in mm (tolerance of +/-5mm)

- Dual Function Thermostatic Shower Valve - SV3114
- 460mm Adjustable Brass Fixed Arm - SVARM01
- 230mm Shower Head - SVHEAD35
- Brass Riser Rail - SVRAIL07
- Three Function Shower Handset - SVHEAD38
- Easy Clean PVC Shower Hose -SVHOSE02
- Brass Wall Elbow - SVACS03

## FAQs

**How tall is the riser rail?** 860mm

**What are the centers of the rail fixing points?** 760mm

**How long is the shower hose?** 1.5m

**What is the minimum pressure for the valve?** 1.0bar

**What is the valve connection size?** 1/2"

**Does the valve include isolation points?** Yes

# Technical Data Sheet

## Event-Click Round Shower Systems

# ROPER RHODES®

No.	Description	Code	Fixings Included
1	Event-Click Round Shower System White	SVSET123	YES



Inlet Pressure	Flow Rate (l/min) Head	Flow Rate (l/min) Handset
1bar	9.7	9.5
2bar	14	13.5
3bar	17	16.5
4bar	19	18.5
5bar	21	20.5

Flow from valve may vary depending on accessories and domestic supply.

## Components - SVSET121

Diagrams not to scale. All dimensions in mm (tolerance of +/-5mm)

- Dual Function Thermostatic Shower Valve - SV3114
- 460mm Adjustable Brass Fixed Arm - SVARM01
- 230mm Shower Head - SVHEAD36
- Brass Riser Rail - SVRAIL07
- Three Function Shower Handset - SVHEAD37
- Easy Clean PVC Shower Hose -SVHOSE02
- Brass Wall Elbow - SVACS03

## FAQs

**How tall is the riser rail?** 860mm

**What are the centers of the rail fixing points?** 760mm

**How long is the shower hose?** 1.5m

**What is the minimum pressure for the valve?** 1.0bar

**What is the valve connection size?** 1/2"

**Does the valve include isolation points?** Yes

# Technical Data Sheet

# ROPER RHODES®

## Event-Click Round

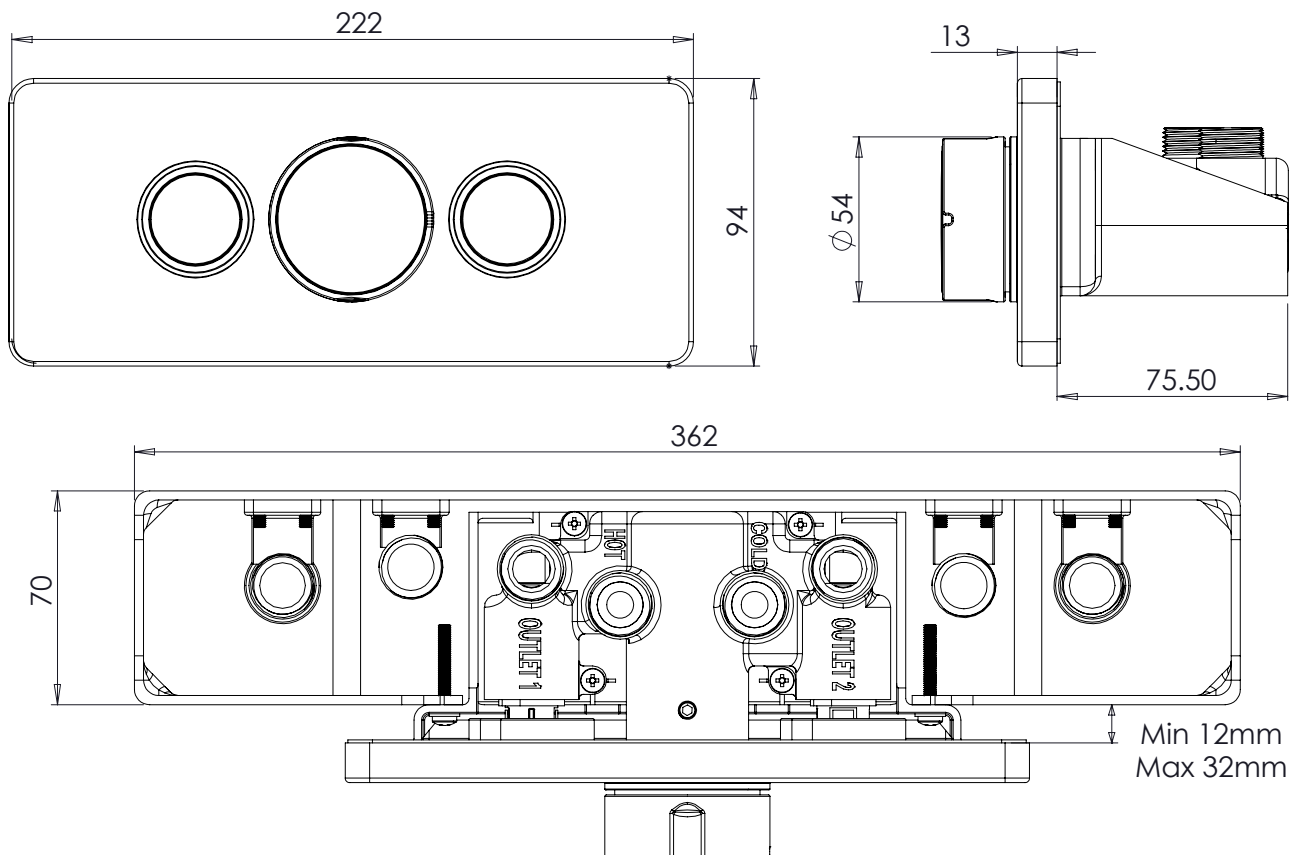
No.	Description	Code	Fixings Included
1	Event-Click Round Shower Valve	SV3214	YES

Whats in the box?	Material
Cover Plate and controls	Chrome Plated Zinc
Valve	(Body) Brass
Flexible Hoses	PVC
Installation Frame	Zinc Plated Steel

Inlet Pressure	Flow Rate (l/min) Head	Flow Rate (l/min) Handset
1bar	9.7	9.5
2bar	14	13.5
3bar	17	16.5
4bar	19	18.5
5bar	21	20.5

### Dimensions - SV3214

Diagrams not to scale. All dimensions in mm.



\*Dimensions are subject to change, customers are advised to measure actual product before commencing installation.

### FAQs

**How do I control the shower water flow?** Push the button

**Can I have both shower options on at the same time?** Yes

**What size pipework do I need?** 15mm

**What size timber stud do I need?** Minimum depth of 89mm

**Is it suitable for brick walls?** It is recommended you use CLS size 89mm depth within the wall

**What is the size of the connections?** The valve uses 1/2" connections

**Does the valve include isolation points?** Yes