

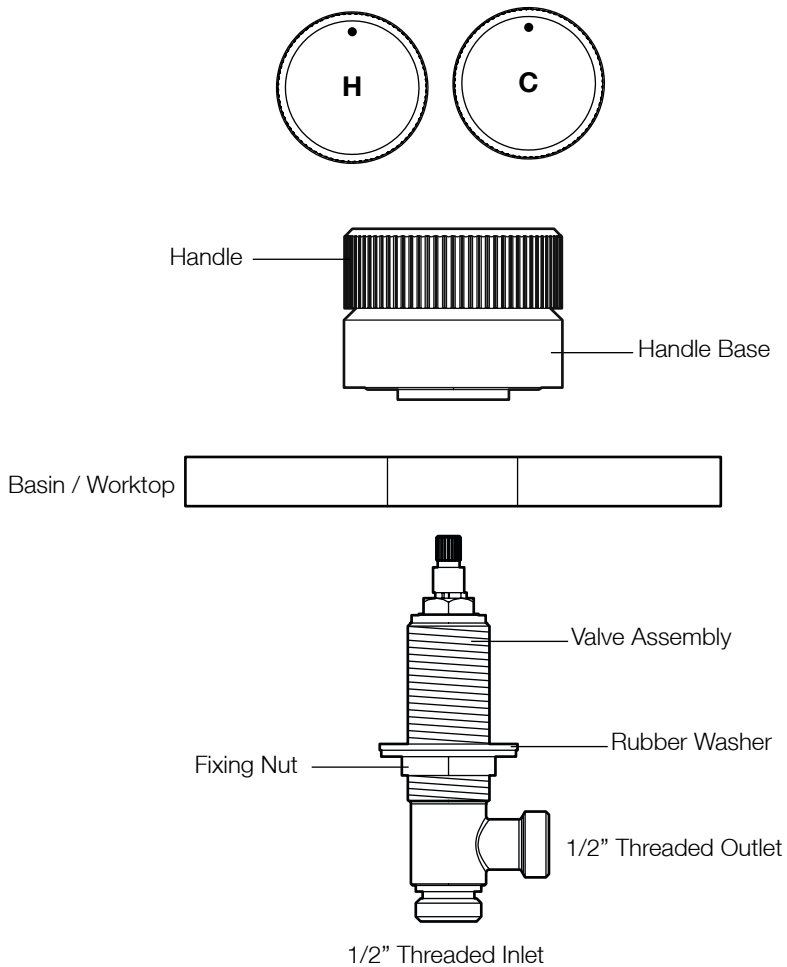
# Faber 3 Tap Hole Basin Mixer

---

## Installation & Aftercare Instructions

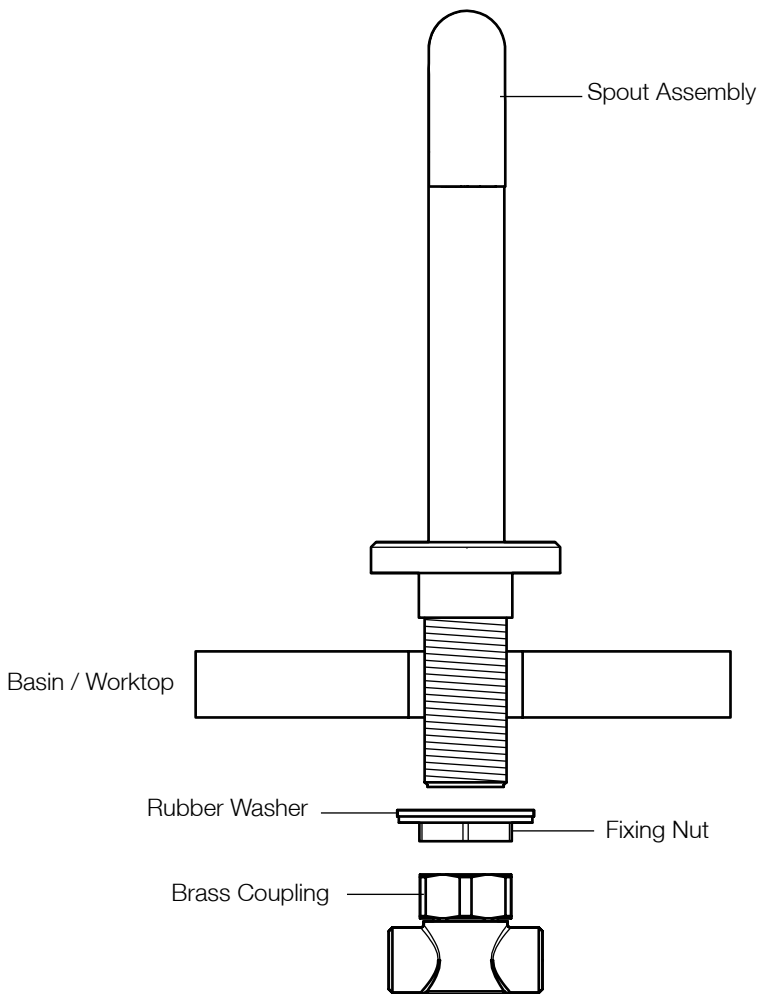
For installation using a worktop which requires holes to be drilled, please see the additional installation template included with this product.

Please retain these instructions for future reference.



## Hot / Cold Valve Installation

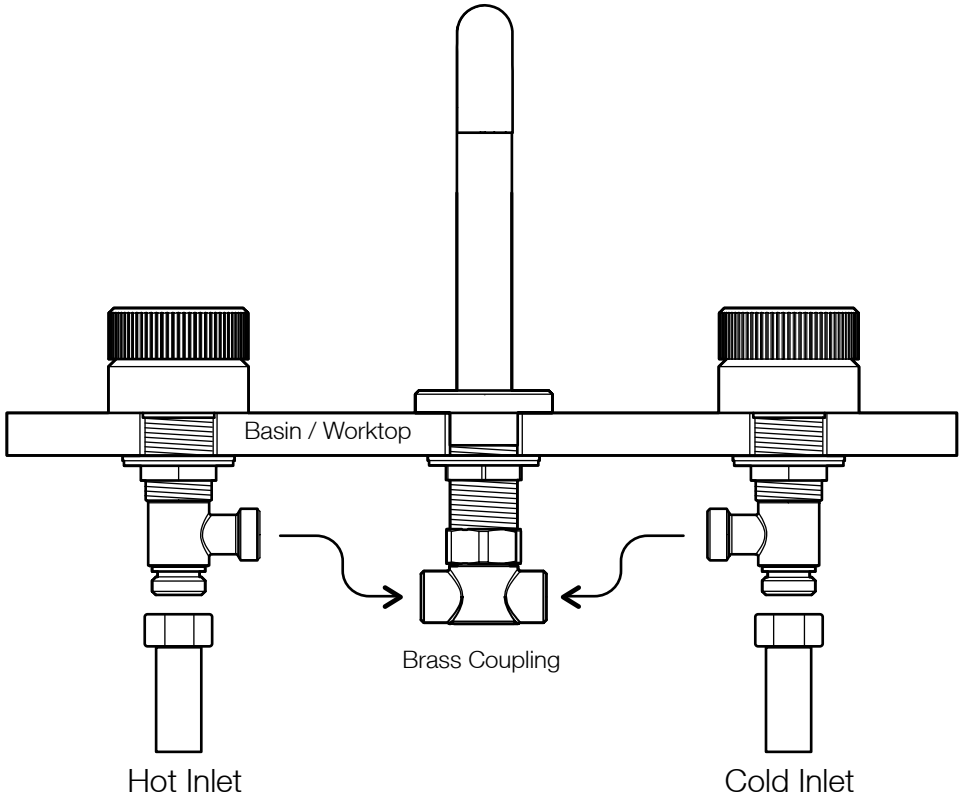
1. Ensuring the fixing nut and rubber washer are assembled to the valve assembly, pass the valve assembly through the underside of the hole in the basin or worktop.
2. With the valve assembly through the hole, ensure that the valve spindle is fully rotated clockwise for the cold valve assembly and fully rotated anti-clockwise for the hot valve assembly. This will ensure correct handle rotation when fully installed.
3. Ensuring that the handle is aligned as shown in the image (with the indicator dot at the top) screw the handle base onto the valve assembly. This can be adjusted later if the handle becomes misaligned.
4. Ensuring that the threaded inlet and outlet can be accessed, tighten the fixing nut and washer to the underside of the basin / worktop to secure it in place.



## Spout Assembly Installation

1. Remove the brass coupling from the threaded inlet on the spout assembly.
2. Pass the threaded inlet through the top of the hole in the basin / worktop.
3. Secure the spout assembly to the underside of the basin / worktop using the fixing nut and washer.
3. Reattach the brass coupling to the threaded inlet on the spout assembly using the swivel nut included.

## Plumbing Connections Installation



1. Prior to installation flush out the pipe work to remove debris and then ensure the water supply is turned off.
2. Connect the hot supply to the left hand valve assembly and connect the cold supply to the right hand valve assembly.
3. Using the flexible hoses supplied, connect the outlets of the two valve assemblies to the brass coupling installed onto the spout assembly. Be careful if using a spanner to tighten the hose as this may damage the rubber o-ring and prevent a water-tight seal being made.
4. Turn on the water supply and test for leaks.

---

### Aftercare Instructions

Whilst this item has a high quality durable finish, it should nevertheless be treated with care. Surfaces should be cleaned using only a soft damp cloth and clean water & dried using a soft cotton cloth. Bath cleaning products, even non-scratch ones could damage the finished surface.

For any issues with this product and to order spare parts, please contact customer services using the contact details below.