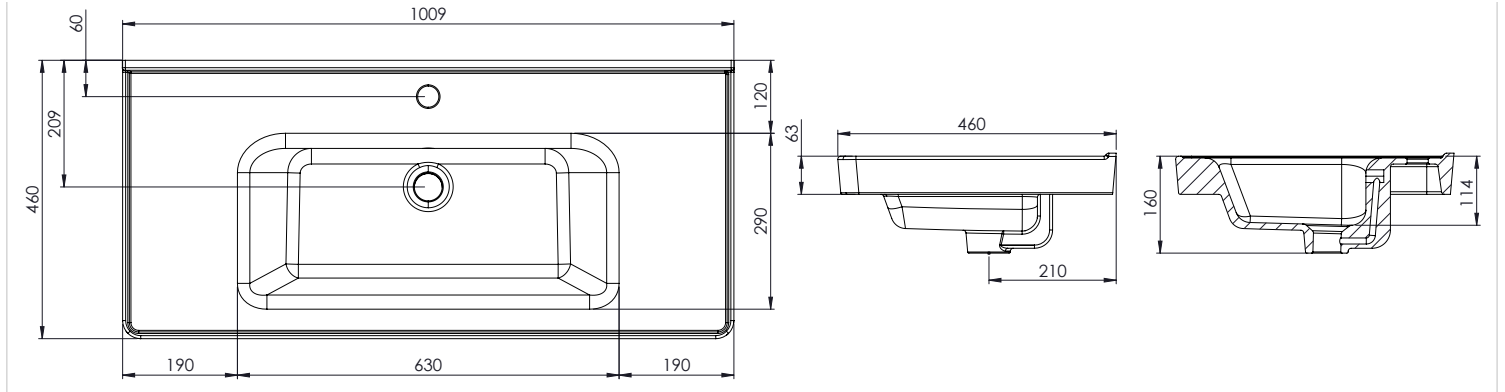


Technical Data Sheet

ROPER RHODES®

FAIRMONT 1000mm BASIN

Whats in the box: 1x FAIRMONT 1000mm BASIN



Diagrams not to scale
All dimensions in mm
Tolerance of +/-5mm

Materials

Basin: Ceramic

**Dimensions are subject to change, customers are advised to measure actual product before commencing installation.

***Fixing point dimensions are for guidance only/the positions of wall fixing must be checked when product is received.

FAQs

COUNTERTOP/ OTHER BASINS

Q: What is the maximum water depth of the basin?

A: 71mm up to the overflow.

Q: Whats is the width of the Tapledge?

A: The Tapledge is 120mm wide.

Q: What is the distance from the Taphole centre to Basin Waste?

A: 149mm

Q: Is the rear of the basin glazed?

A: No, the rear of the basin is not glazed.

Q. What is the overflow rating of the basin?

A. CL15

Q: Can this basin be wall mounted?

A: No, this basin cannot be wall mounted.

Q: What are the taphole/basin waste sizes?

A: All sizes are to British Standard - (BS EN 31)

- Diameter of the central tap hole = 35mm : +2/ -1mm
- Bore of the waste outlet hole = 46mm : +2 / - 3mm
- Diameter of the base for the seal between the waste outlet hole