

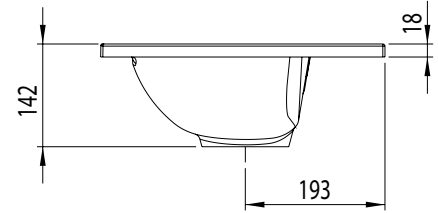
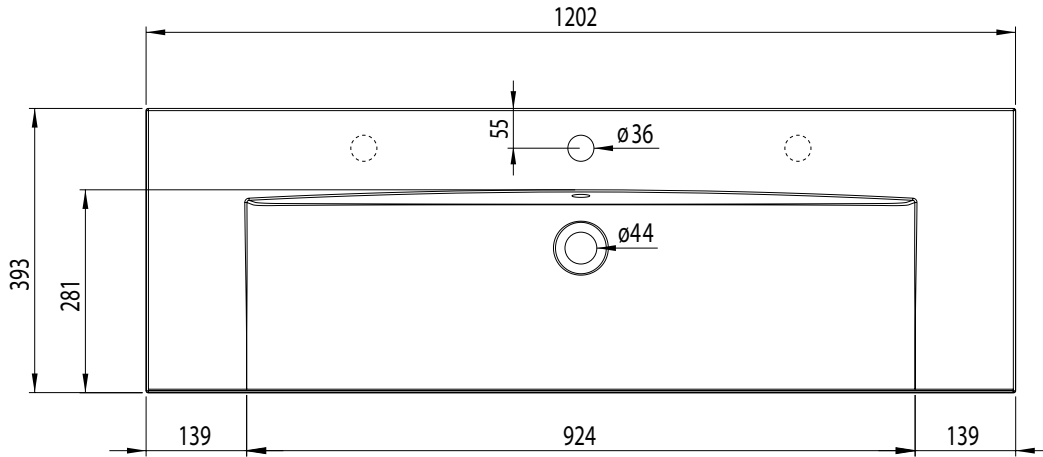
# Technical Data Sheet

# ROPER RHODES®

## Frame 1200mm Isocast Basin

Whats in the box: 1x FRM1200IS + Overflow Kit

\*Left & Right tap holes optional  
\*SEE INSTRUCTIONS\*



Diagrams not to scale  
All dimensins in mm  
tolerance of +5mm

### Materials

Basin: Isocast - Information Below

\*\*Dimensions are subject to change, customers are advised to measure actual product before commencing installation.

\*\*\*Fixing point dimensions are for guidance only/the positions of wall fixing must be checked when product is received.

### Isocast Information

Has many names including:

- Gelcoat
- Cultured marble
- Cast mineral marble
- Synthetic marble

All Roper Rhodes basins are produced in Swedish owned Polish factory who were one of the first to market with this material in the 1970s. Base material is 70% natural (aggregate dolomite rock - calcareous magnesium carbonate). A misconception is that this material is completely manmade. The other 30% is a mixture of various polyester resins.

A 1.5 - 2.0mm Top coating of "gelcoat" which is the proprietary name for the polyester resin used to seal all top faces of the basin / worktop. This can be glossy or matt. Tolerance of +3/-0mm. Ceramic is more typically +5/-5mm. Fully tested against multiple stains which can either be removed with standard cleaners (autosol for example) or the specialist clean and shine repair kits.

Product is tested and approved by the following associations:

- CE, IAPMO R&T (USA), Building research institute.

### FAQs

- |  |                                 |
|--|---------------------------------|
| Q: What is the maximum water depth of the basin?                   | A: 72mm up to the overflow.     |
| Q: What is the internal depth?                                     | A: The internal depth is 120mm. |
| Q: Whats is the depth of the Tapledge?                             | A: The Tapledge is 115mm deep.  |
| Q: What's the distance from the Taphole centre to the Basin Waste? | A: 138mm.                       |
| Q: Are there marks for taphole options?                            | A: Yes, See instructions.       |

NOTE: Colours unique to Roper Rhodes - No RAL Code available