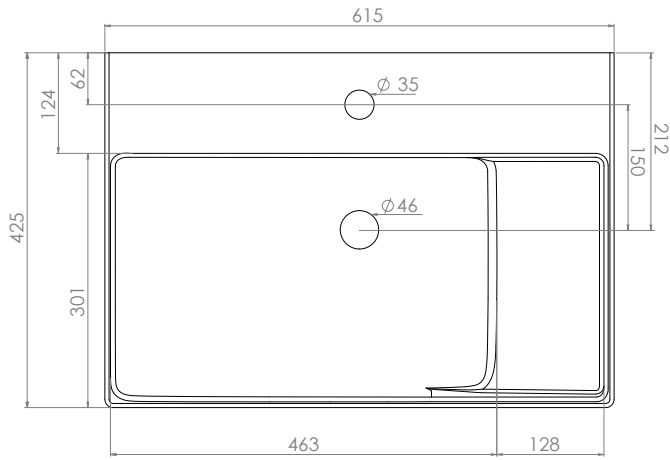


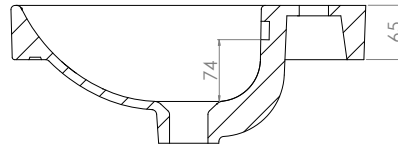
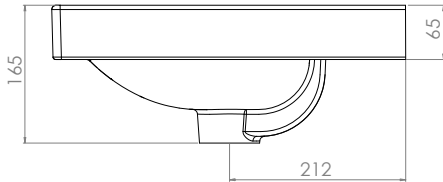
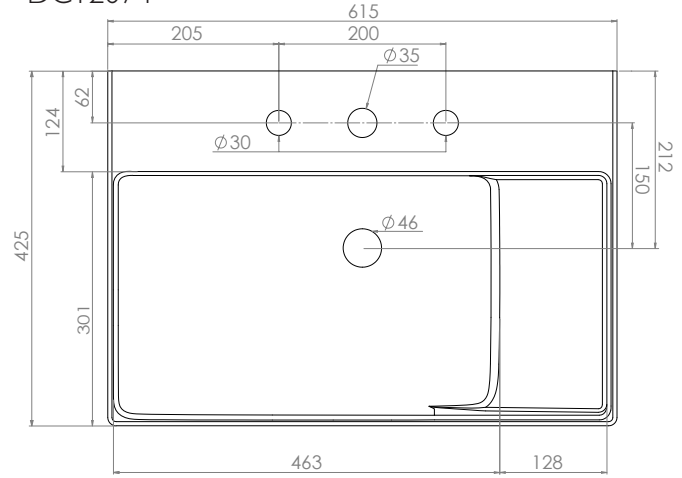
FABER 600mm CERAMIC BASIN

What's in the box: 1x DCI2071 / DCI2074

DCI2071



DCI2074



Diagrams not to scale
All dimensions in mm
tolerance of +/-5mm

Materials

Basin: Ceramic

**Dimensions are subject to change, customers are advised to measure actual product before commencing installation.
***Fixing point dimensions are for guidance only/the positions of wall fixing must be checked when product is received.

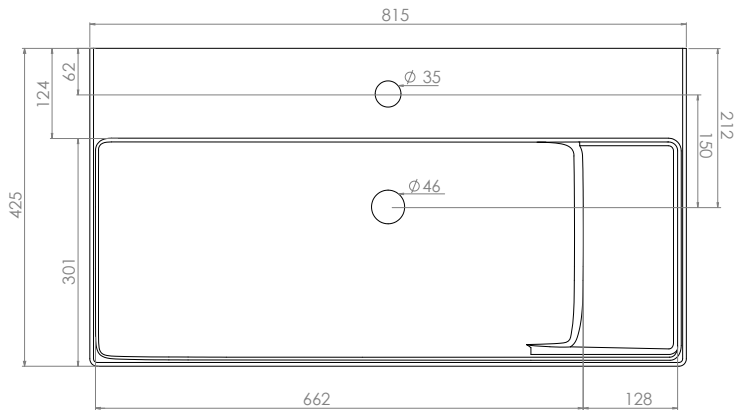
FAQs

- | | |
|--|------------------------------|
| What is the maximum water depth of the basin? | 74mm up to the overflow. |
| What is the internal depth? | The internal depth is 130mm. |
| What is the depth of the Tapledge? | The Tapledge is 124mm deep. |
| What is the distance from the Tap Centre to the Basin Waste? | 150mm. |
| Which waste is suitable for this basin? | 75mm waste. |
| Does the product conform to British Standards? | Yes, BS EN 31 & BS EN 14688. |
| Can this basin be wall-mounted? | No. |

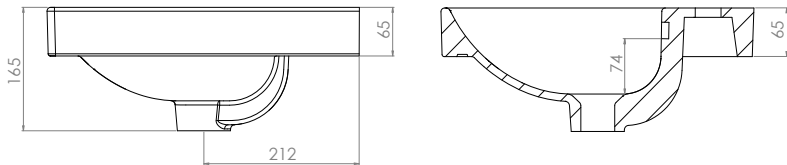
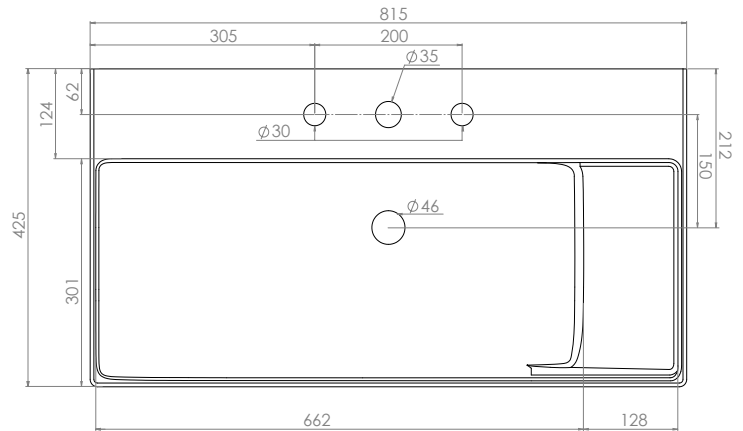
FABER 800mm CERAMIC BASIN

What's in the box: 1 x DCI2072 / DCI2075

DCI2072



DCI2075



Diagrams not to scale
All dimensions in mm
tolerance of +/-5mm

Materials

Basin: Ceramic

**Dimensions are subject to change, customers are advised to measure actual product before commencing installation.
***Fixing point dimensions are for guidance only/the positions of wall fixing must be checked when product is received.

FAQs

What is the maximum water depth of the basin?

74mm up to the overflow.

What is the internal depth?

The internal depth is 130mm.

What is the depth of the Tapledge?

The Tapledge is 124mm deep.

What is the distance from the Tap Centre to the Basin Waste?

150mm.

Which waste is suitable for this basin?

75mm waste.

Does the product conform to British Standards?

Yes, BS EN 31 & BS EN 14688.

Can this basin be wall-mounted?

No.

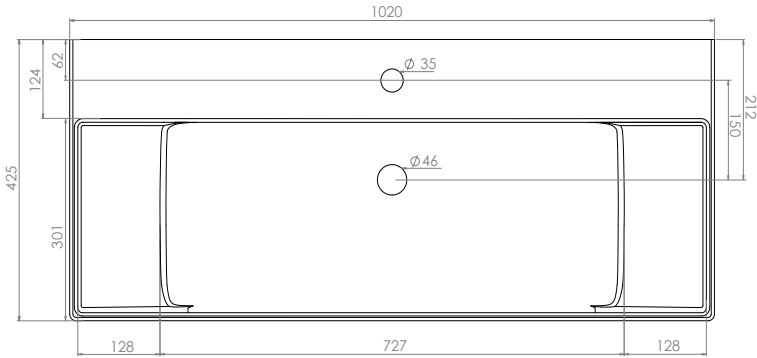
TECHNICAL DATA SHEET

ROPER RHODES®

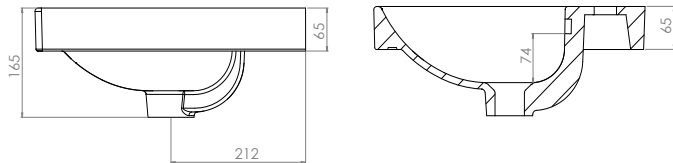
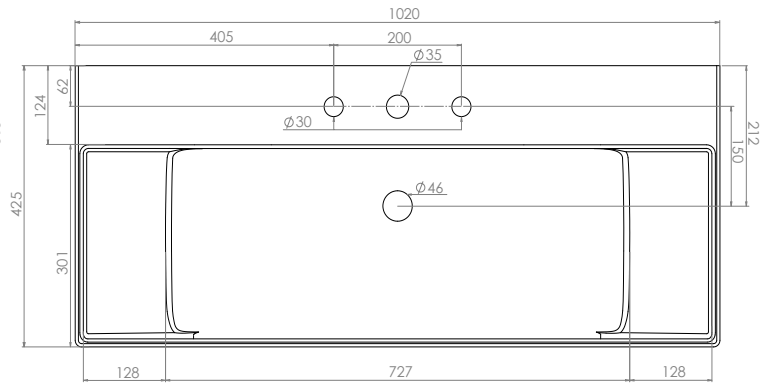
FABER 1000mm CERAMIC BASIN

What's in the box: 1x DCI2073 / DCI2076

DCI2073



DCI2076



Diagrams not to scale
All dimensions in mm
tolerance of +/-5mm

Materials

Basin: Ceramic

**Dimensions are subject to change, customers are advised to measure actual product before commencing installation.
***Fixing point dimensions are for guidance only/the positions of wall fixing must be checked when product is received.

FAQs

What is the maximum water depth of the basin?

74mm up to the overflow.

What is the internal depth?

The internal depth is 130mm.

What is the depth of the Tapledge?

The Tapledge is 124mm deep.

What is the distance from the Tap Centre to the Basin Waste?

150mm.

Which waste is suitable for this basin?

75mm waste.

Does the product conform to British Standards?

Yes, BS EN 31 & BS EN 14688.

Can this basin be wall-mounted?

No.