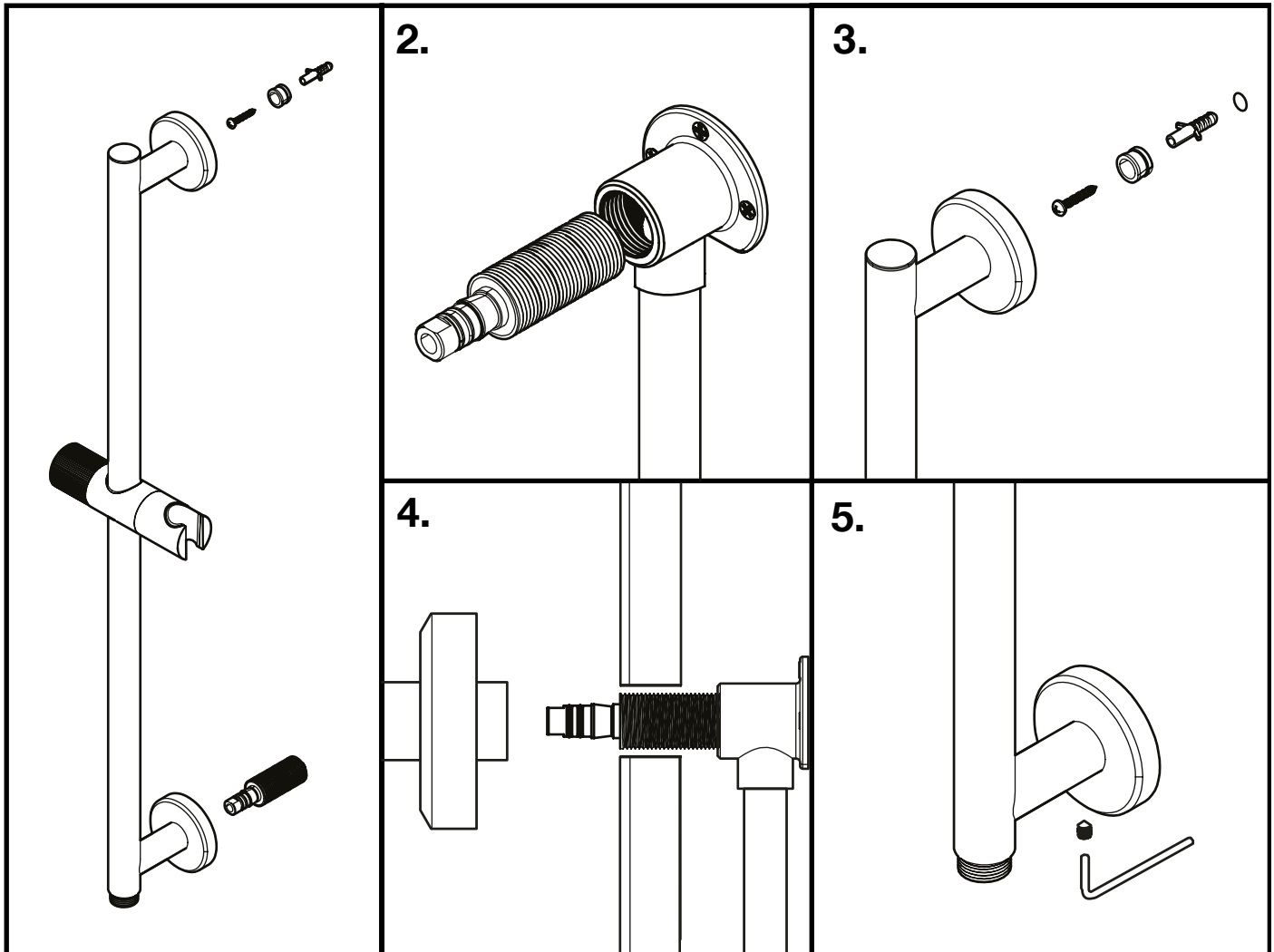


Outlet Riser Rail - Installation Instructions

Wear suitable eye protection when drilling. Take care when using power tools near water - the use of a residual current device (RCD) is advised. Beware of hidden cables or pipes. Take care if drilling on tiled surfaces in case the drill slips. A piece of masking tape applied to the wall before marking out the fixing holes will stop the drill from wandering.



NOTE: It is important to ensure that the thickness of the wall, plasterboard and any tiles are taken into account when determining the riser rail inlet location to ensure there is enough room for the threaded connector of the product to be tightened into the plumbing elbow and form a watertight seal.

1. Before commencing installation, plan your pipework appropriately so that the inlet of the riser rail is in a suitable position for final riser rail installation. Run your pipework to a 1/2" BSP threaded elbow (not supplied) and install the finished wall surface with an access hole to the plumbing elbow behind.
2. Remove the 1/2" BSP threaded connector from the bottom wall bracket and connect to the plumbing elbow. PTFE tape can be used to create a watertight seal.
3. Measure the distance between the centre points of the wall brackets and use masking tape to mark the upper bracket fixing position on the wall. Ensure that the mark is vertically level with the threaded connector to ensure the riser rail will be straight. Drill appropriate sized holes at the marked position. Remove the wall fixing from the upper bracket and secure to the wall with the wall plug and fixing screw provided.
4. With the two coverplates assembled to the wall brackets, offer the riser rail onto both the threaded connector and the wall fixing, ensuring the threaded connector is completely inserted into the lower bracket. Fix both brackets in place with the grub screw fixings. Slide the cover plates along the bracket until they are flush with the wall. A small bead of silicone sealant can be used to keep these in place.
6. Connect the shower hose and handset to the riser rail outlet to complete installation.