

Thermostatic Bar Valve

Installation & Aftercare Instructions

Introduction

This guide covers the installation and commissioning of the shower valve. The diagrams in this installation manual are for illustrative purposes only and may not match the exact valve, but the installation procedure is the same.

Your bar shower valve is a thermostatic mixer which incorporates a thermo-regulating cartridge to assure users of consistent showering temperatures. The valves have been designed & manufactured to comply with both BS EN1287:1999 (low pressure) or BS EN 1111:1999 (high pressure) operating conditions.

Operating Conditions Of Use

Before installation the operating conditions of use must be checked. The table below contains details of the necessary conditions of operation. This valve is suitable for use with the following systems:

- Gravity fed Hot & Cold (equal pressures)
- Gravity fed Hot & mains Cold (equal pressure)
- Unvented systems
- Gas combination boiler
- Pumped system

Note: If water supply is fed by gravity then supply pressure should be verified to ensure the conditions of use are appropriate for the valve

| | High Pressure | Low Pressure |
|------------------------------------|---------------|--------------|
| Max Static Pressure - BAR | 10 | 10 |
| Flow Pressure (Hot and Cold) - BAR | 1 - 5 | 0.1 - 1 |
| Hot Supply Temperature - °C | 55 - 65 | 55 - 65 |
| Cold Supply Temperature - °C | ≤ 25 | ≤ 25 |

Valve Installation Guidelines And Compliance

The valve must be installed so that it is readily accessible for commissioning and maintenance. The valve must be installed with isolation valves on both the hot and cold water systems as close as possible to the valve; so as to allow the valve to be commissioned and tested correctly. The valve is fitted with integral check valve cartridges which command the water supply, therefore the thermostatic valve is protected against cross-flow due to unbalanced line pressures as required by the Water Supply (Water Fittings) Regulations 1999

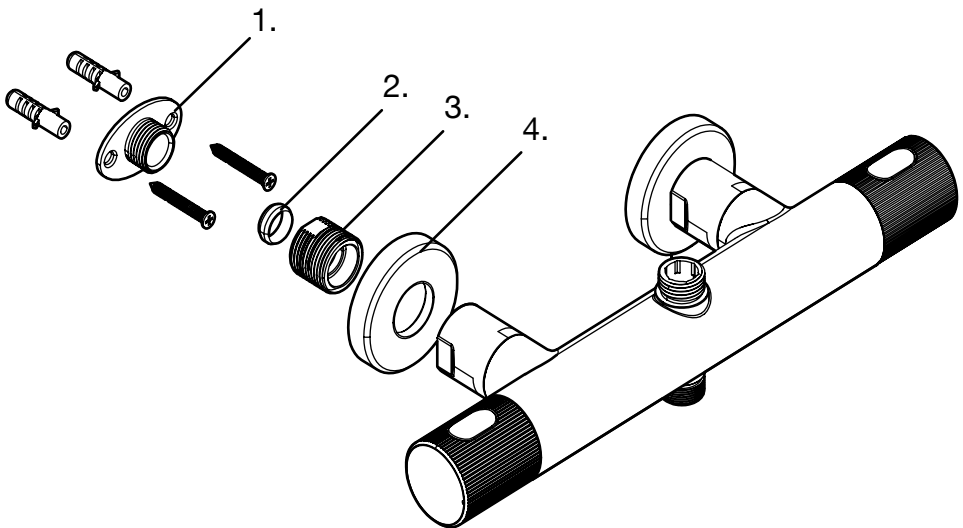
Installation

Most problems associated with the operation of thermostatic shower valves are caused by debris in the new pipe work getting into the thermostat. These problems are easily avoided by thoroughly flushing the pipe work BEFORE the shower valve is fitted.

We recommend this product is fitted by a qualified plumber. Wear suitable eye protection when drilling. Take care when using power tools near water - the use of a residual current device (RCD) is advised. Beware of hidden cables or pipes. When drilling tiled surfaces, a piece of masking tape applied to the wall before marking out the fixing holes will stop the drill wandering.

Before commencing installation, first determine which shower system you have from the options below and overleaf, and follow the associated instructions.

For installation of bar valves supplied with quick fixing kit:



1. Install hot and cold inlet pipework (15mm) to the desired installation location - ensuring the pipes are 150mm apart and protude at least 35mm from the finished wall surface.

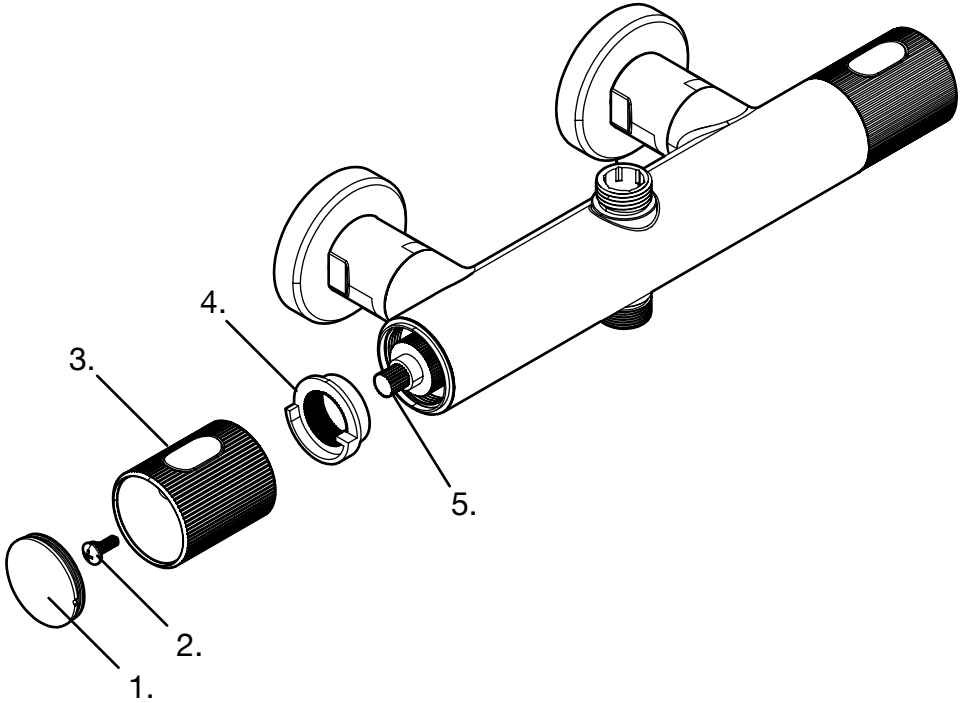
2. Mount the quick fixing wall plate (1.) to the wall over the pipework using the fixings provided

3. Insert the olives (2.) over the pipework and tighten the compression thread (3.) onto the wall plate. This will compress the olive and secure it to the pipework.

4. Thread the trim ring (4.) onto the compression thread to cover up the wall plate fixings.

5. Ensuring that the rubber washer is inserted between the bar valve and the compression thread, mount the bar valve using the swivel nuts. Check the system for leaks before commissioning.

Setting Maximum Valve Temperature



This bar valve is factory set with the temperature stop set at max. 42-44°C.

Only if the maximum temperature needs to be adjusted, follow the instructions below:

1. Remove the end cap (1.) from the temperature handle.
2. Remove the screw (2.) and remove the handle (3.).
3. With the temperature stop (4.) still fitted to the cartridge spindle (5.) turn the cartridge spindle to adjust the water temperature. Turning anticlockwise will increase the maximum temperature output setting whilst turning the spindle clockwise will decrease it.
4. Refit the handle so the stop of the handle meets the right hand side of the stop on the temperature stop.
5. Turn on the flow control handle and wait for a few moments. Test the temperature of the water.

Repeat until maximum temperature output is 44°C / 111.2 F

Testing And Annual Servicing

It is recommended that showers do not exceed 44°C. The valve temperature should never exceed 46°C. Carry out the cold failure test to ensure the valve operates at the correct outlet temperature.

The valve should be tested to ensure correct operation at installation and thereafter at stated intervals decided by the user but never at greater than 12 monthly intervals. The testing will only require a normal thermometer with a scale greater than 65°C. The temperature sensitive element of the thermometer should always be fully inserted into the water flow.

Follow the procedure below:

1. Measure the mixed water temperature.
2. Carry out a cold fail/safe shut-off test by using the mains isolation valve to shut off the water to the cold supply. Wait 5 seconds, if water is still flowing check that the water temperature is below 44°C. The flow should stop or reduce to a trickle.
3. Open the cold water isolation valve and measure mixed water temperature. If there is no significant change from the original settings and fail/safe shut off is functioning the valve is working correctly and no further service is required. If the outlet temperature has drifted by more than 2°C, or if the fail/safe function does not work, a full service or re-commissioning is required. We recommend that in these circumstances you contact a plumber for advice as servicing should only be undertaken by a competent person.

Trouble Shooting

If you require further assistance beyond the guide below, please contact customer services using the contact details on the back of this guide

| PROBLEM | SOLUTION |
|---|--|
| After installation, shower only runs hot or cold - there is no mixed water. | Hot & cold supplies are plumbed the wrong way around. |
| Shower will not run hot enough when first installed. | The maximum temperature needs to be adjusted - see the temperature setting guide in this manual. |
| Cold water is running back through the valve and into the hot water system. | Check and clean the check valve cartridges and filters located under the check valve. These may need to be replaced. |