

Before You Start

- The product should only be installed by a suitably qualified / competent / experienced bathroom installer.
- Check the contents of the pack for defects before installation. The supplier will not accept any refitting costs if faulty product has been fitted.
- The furniture should only be installed in a well ventilated bathroom at a distance from bath / showers to avoid splashing. It should also be protected from any shower / handset spray by a shower screen or similar.
- Make sure the unit and basin are secured to a suitably strong / reinforced wall to ensure stability.

CAUTION

- Take care when using power tools near water - the use of a residual current device (RCD) is recommended.
- Beware of hidden pipes or cables.
- Wear suitable eye protection when drilling.
- Take care when drilling tiled surfaces as the drill might slip. We recommend using a piece of masking tape to prevent the drill from wandering.

Aftercare

Do ✓

- Wipe away any water splashes or condensation after use. Excessive exposure to water or sitting water will damage the furniture.
- Clean with a soft damp cloth with a mild detergent only. Surface should then be fully dried using a soft lint free cloth.
- A suitable limescale remover can be used on the BASIN ONLY if required but MUST be tested on an inconspicuous area of the basin.

Don't ✗

- Scrub or scour any part of the furniture or basin.
- Use furniture polish.
- Use abrasive or bleaching cleaning agents.
- Allow hot or sharp objects to contact the furniture or basin.

BASIN INSTALLATION (Once all plumbing is complete)

- Apply a bead of silicone to the basin on 3 top edges to fix to and protect the side panels and drawer fascias as per figure 1.
- Typically the basin also has a silicone bead along the back edges where it meets the wall (not shown)
- The basin should be held in place while the silicone cures.

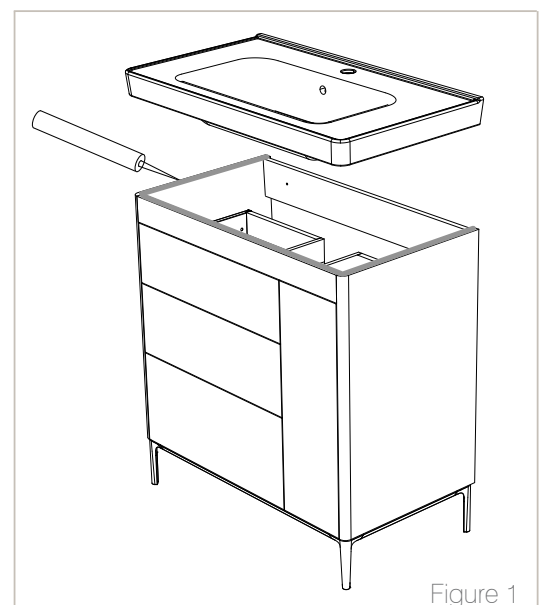
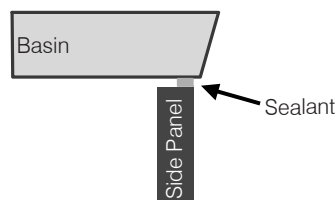
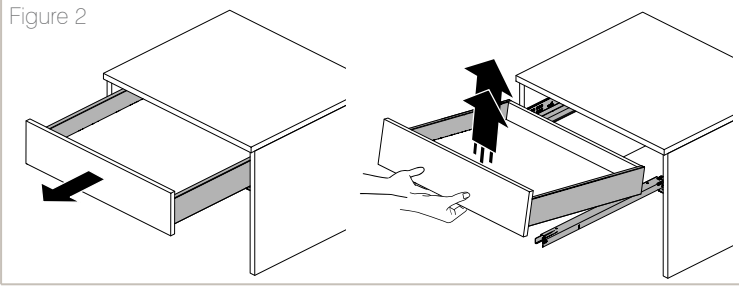


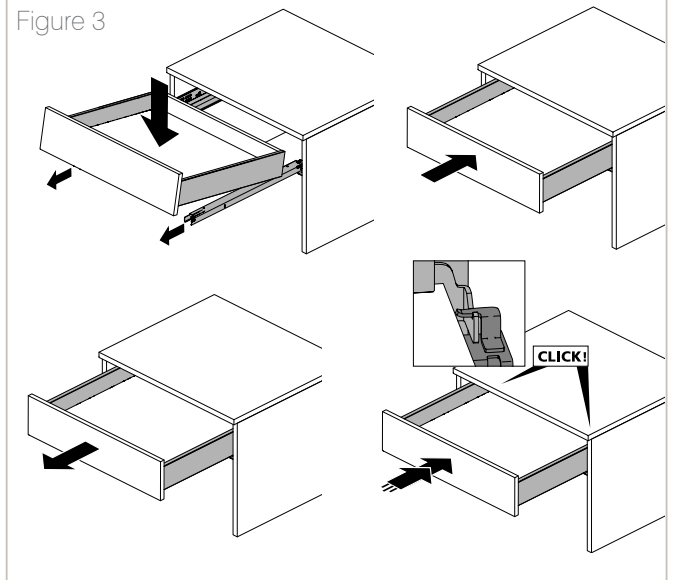
Figure 1

REMOVING DRAWER/ RE-ATTACH DRAWER

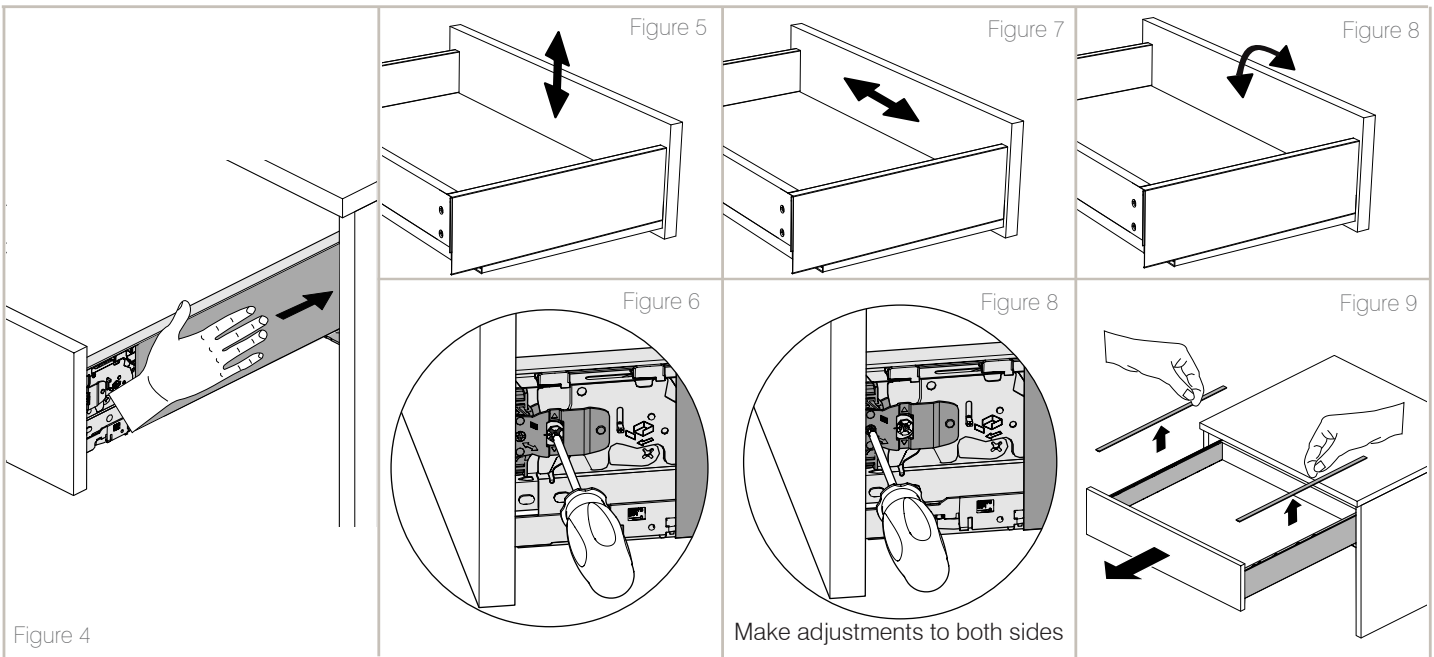


To remove the drawer - pull drawer out and pull up vertically in one sudden and firm motion. Drawer assembly will release from runners from the front. Refer to figure 2

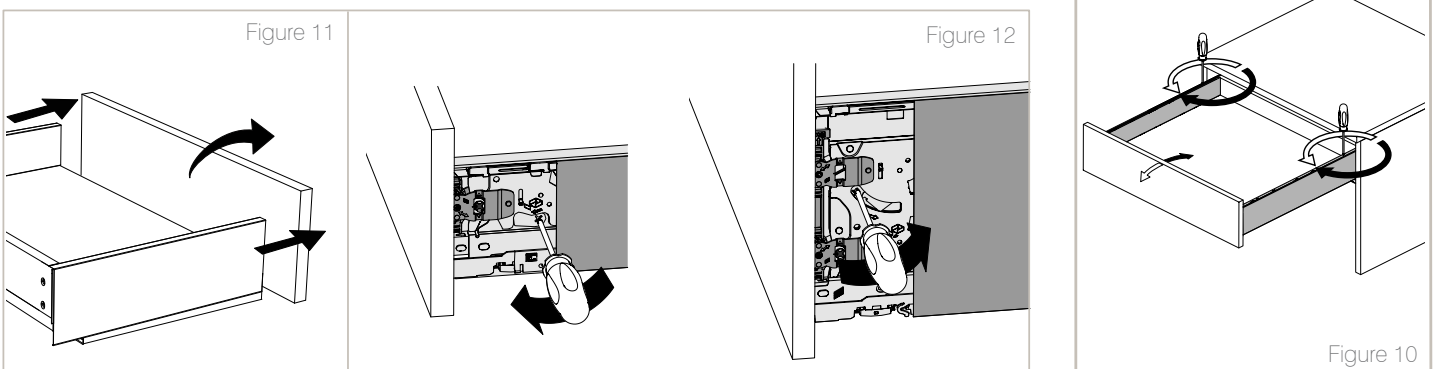
When replacing the drawer - ensure runners extensions are fully and evenly pulled out. The runner is fully engaged at the back of the drawer when an audible click is heard. Refer to figure 3



DRAWER ADJUSTMENT



DRAWER FASCIA REMOVAL



ASSEMBLING FURNITURE FEET

Follow below steps to assemble furniture leg set. It is important to have legs pre-assembled prior to fitting to furniture unit for ease of manoeuvrability.

Step 1

Apply gel buffer to base by removing adhesive back and applying to centre of all four furniture foot (figure 13)

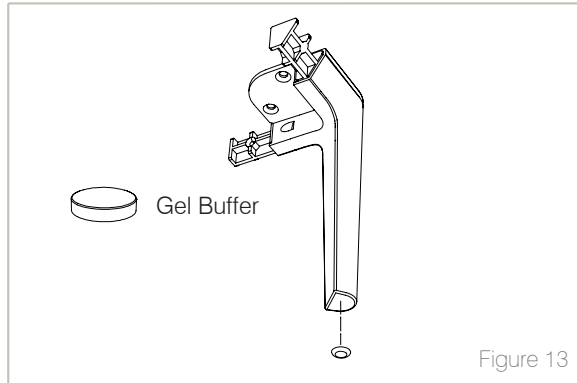


Figure 13

Step 2

Using the M4 x 6mm grub screws provided assemble short extrusions to furniture feet. Repeat for opposite side (figure 14).

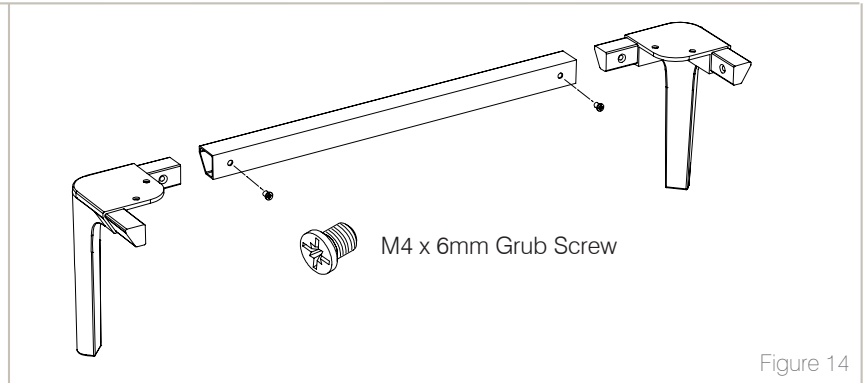


Figure 14

Step 3

Using the M4 x 6mm grub screws provided fit long extrusion to now assembled furniture feet and short extrusions. Ensure all M4 x 6mm countersink grub screws are tightly wound to ensure a secure fit (figure 15).

Carefully place assembled furniture feet and extrusions to the side. They will be used for assembly to furniture in Step 5.

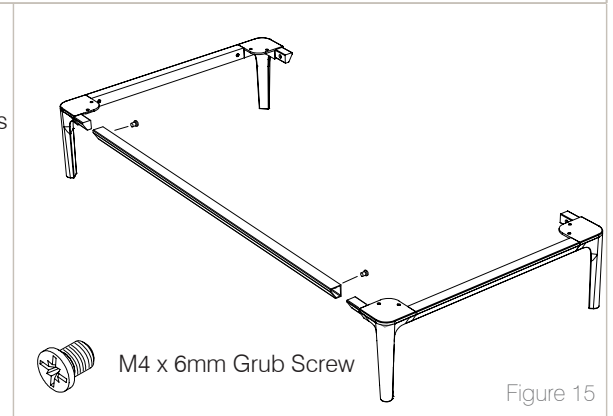


Figure 15

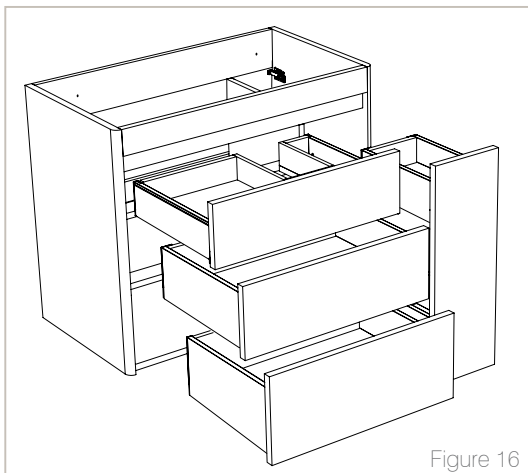


Figure 16

Step 4

Using the 'Removing Drawer/ Re-attach Drawer' (figure 2) section of the instruction, remove all drawers from furniture unit and safely place on a scratch free surface.

Doing so will reduce the weight of unit when hanging to wall.

Step 5

Place furniture carcass on its back on a scratch free surface. Using 3.5mm x 16mm CSK screws supplied fit pre-assembled furniture feet to base of furniture unit.

Ensure fixing holes in furniture feet plate align with pilot holes in furniture base panel.

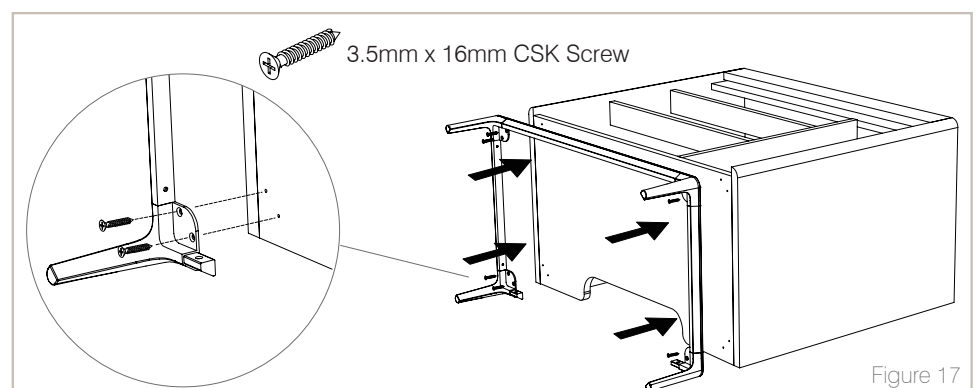


Figure 17

FITTING UNIT WITH LEGS TO WALL

Follow below steps to fit furniture with fixed legs to wall. It is important to follow procedure below to ensure correct installation and furniture legs are not damaged during process.

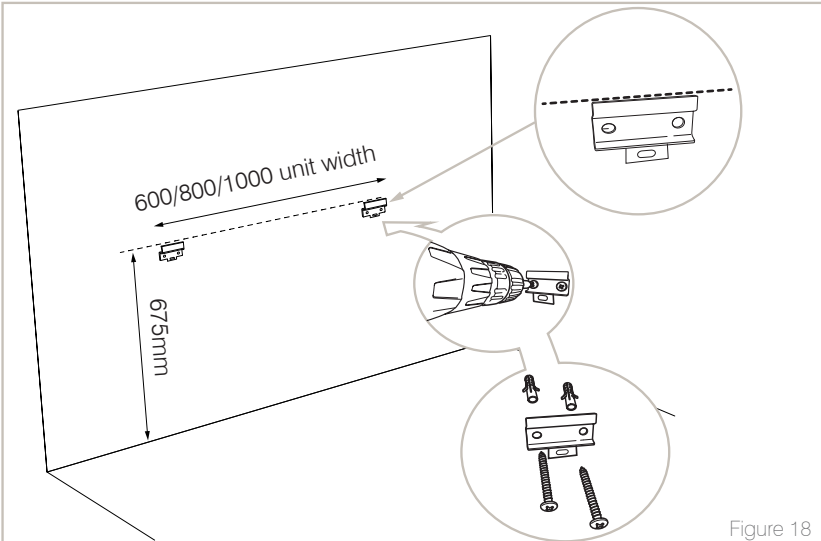


Figure 18

Step 6

Once the desired location for furniture is chosen, measure and mark out locations for wall mounting brackets.

Ensure the top of the brackets are positioned 675mm from the floor.

This measurement is standard across all Fairmont sizes, and allows adjustment to the unit for uneven flooring.

Using screws and wall plugs provided, fix brackets to wall.

Note: It is advised that a plaster board wall is not sufficient to hold weight of Fairmont unit.

Step 7

Using two people, carefully lift furniture unit with fitted legs from Stage 4 onto wall mounted brackets.

As the brackets are positioned 675mm from floor level, the furniture unit should be 5-8mm off the floor as seen in Figure 20.

IMPORTANT NOTE:

Be sure not to tilt unit upright applying weight to legs - doing so will damage screws in base panel.

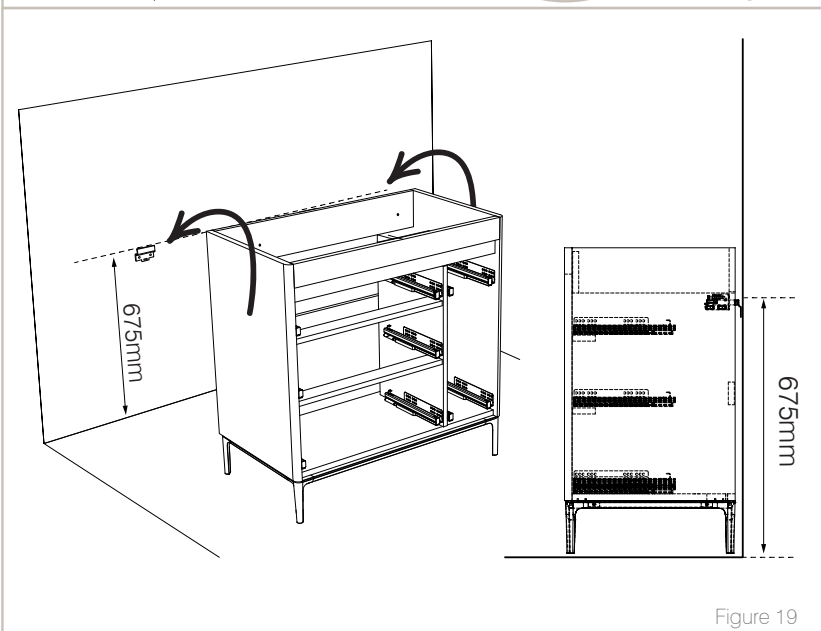
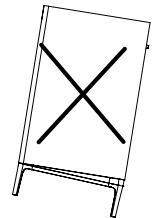


Figure 19

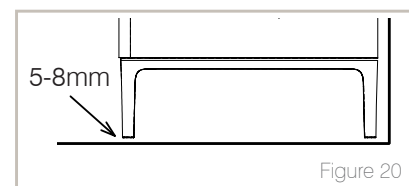


Figure 20

WALL HANGING MECHANISM ADJUSTMENT

Follow the instruction in figures 21 & 22 for adjusting wall hanging mechanisms once on wall.

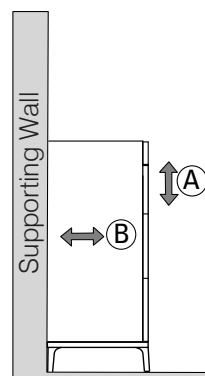


Figure 21

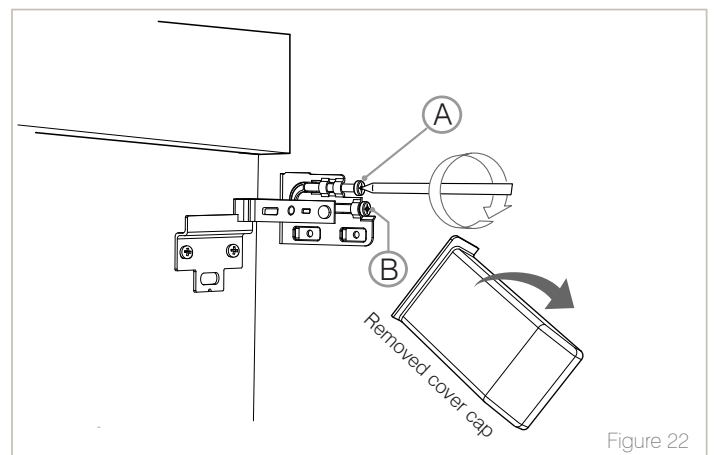


Figure 22

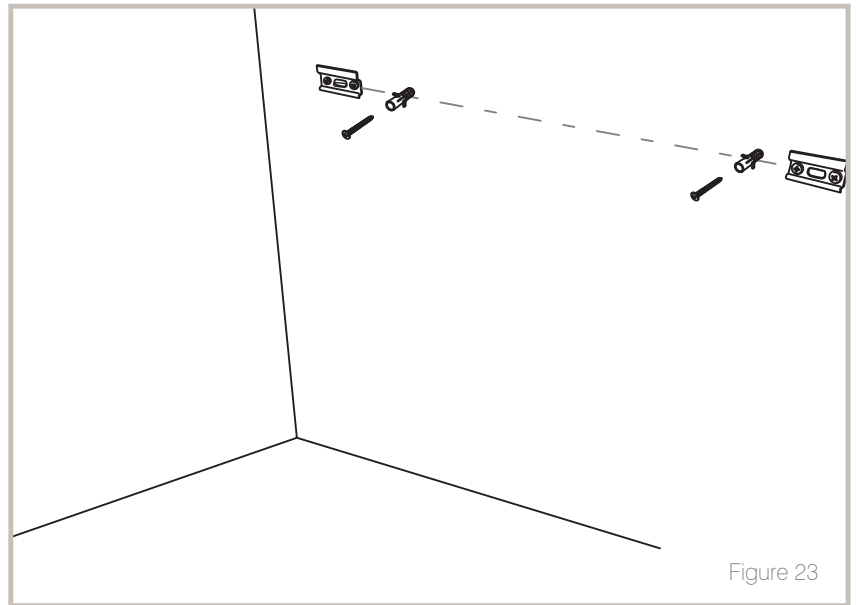
Step 8

Using the 'Wall Hanging Mechanism Adjustment' (figures 21 & 22) section of instructions, adjust the unit down so that furniture feet meet level of floor. It is important not to apply full weight of furniture unit onto furniture feet.

Once unit is level, use a pencil to mark the locations of the holes in the back brace onto the wall.

Remove furniture unit from the wall. Drill into the marked locations and fit wall plugs.

Rehang furniture, then screw it to the wall via these fixing points.

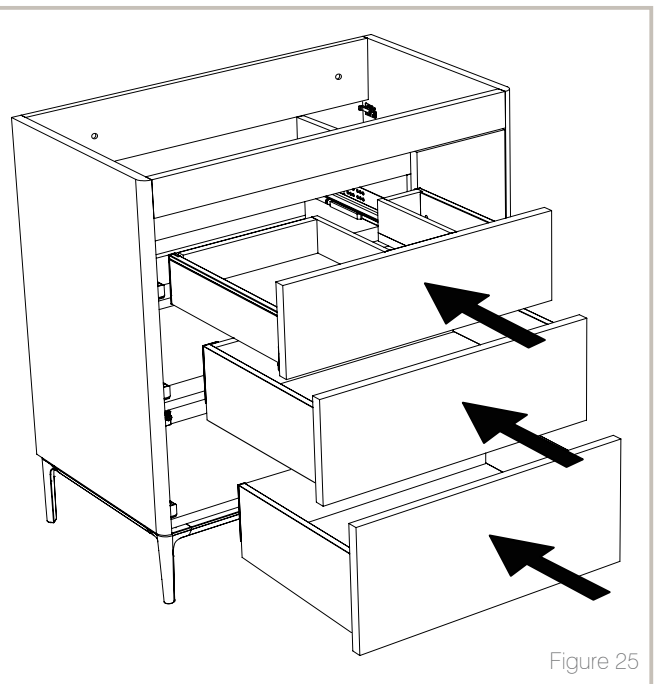
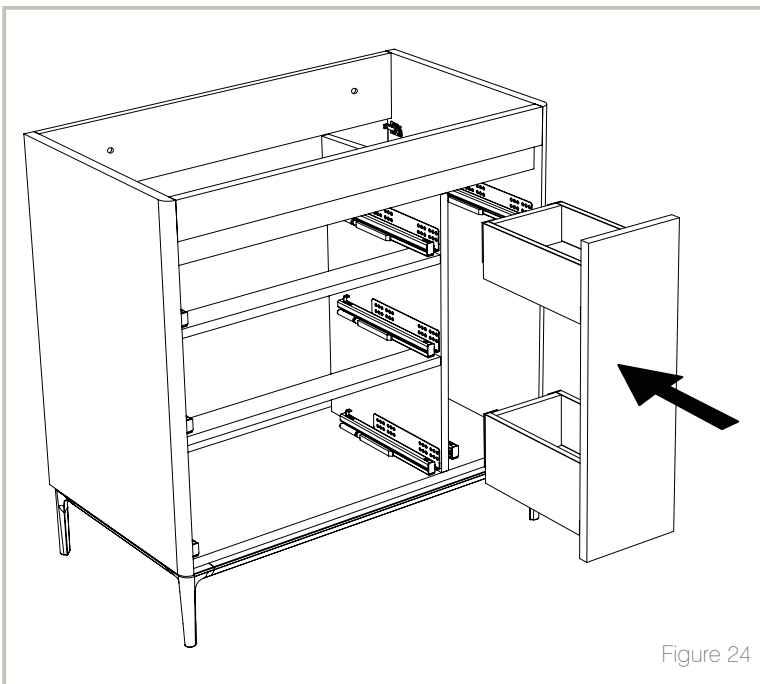


Step 9

Once furniture unit is fitted to wall correctly, with wall fixing screws and wall hanging mechanisms tightly fixed, drawers can now be refitted.

Using the 'Removing Drawer/ Re-attach Drawer' (figure 3) section of the instruction, starting with the tall slim drawer, reattach all drawers to unit.

Note: Starting with tall slim drawer will allow hand space for alignment of drawer runners.



! SAFETY NOTICE !

Slim tall drawers have a weight load capacity of 3kg each drawer box. All other drawers are limited to 8kg each.

INSTALLING HANDLES

Follow separate instructions for handle hole positioning template.

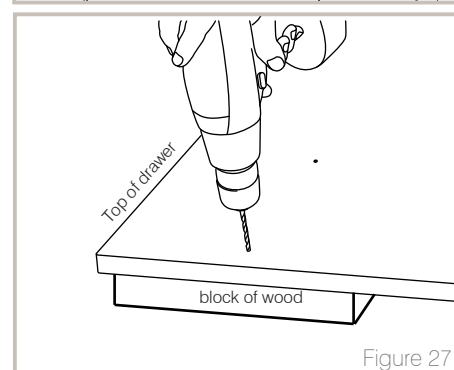
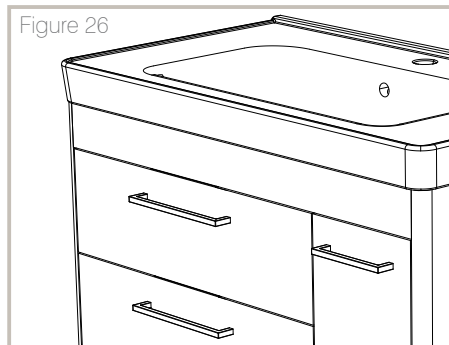
For all pull handles

- Remove the drawer using 'Removing Drawer/ Re-attach Drawer' (figures 2 & 3) section of the instructions.
- Included in the box is a template for fixing the handles at our recommended heights.
- Tape this in place in the centre of the front of the drawer front and mark the locations of the relevant handle holes.
- Clamp a piece of wood on the back of the drawer (being careful not to damage the front) and drill through carefully from the front. See figure 27.
- Screw handles into place.
- Re-install drawers ensuring the drawer box clicks back into place.

For all top mounted handles

- Hold handle securely in centre of door/ drawer.
- Make small 1mm pilot holes at approximately 2mm depth.
- Using screws provided with handles, fix in place.

Pull Handles Example



Top Mounted Handles Example

