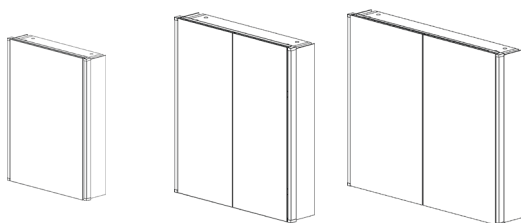


Technical Data Sheet

FLOW

**Box Contents:**

Flow Cabinet | 2 smoked glass shelves | 4x screws | Instructions booklet

Materials:

Carcass: 15mm MFC | Door: Mirror on Mirror | Backboard: 3mm MDF

Glass: 3mm PVC Backed

FAQ's:

	Units	FWC050	FWC060	FWC080
Recess dimensions (L x W x D)	mm	461 x 648 x 99	561 x 648 x 99	761 x 557 x 99
Internal dimensions (L x W x D)	mm	429 x 617 x 97	530 x 617 x 97	729 x 617 x 97
Shelf dimensions (L x W x D)	mm	423 x 93 x 6	525 x 93 x 6	723 x 93 x 6
Max shelf spacing	mm	80		
Distance between door hinges	mm	370		
Individual door dimensions (L x W x D)	mm	458 x 662 x 16	280 x 662 x 16	380 x 662 x 16
Door opening angle	°	90		
Depth with door fully open	mm	560	380	482
Hanging bracket centres	mm	NA		
What is the thickness of the mirror glass?	mm	3mm		
Is the cabinet IP44 rated?	-	Yes		
What size fuse should I use?	-	Seek the advice of an electrician		
What is the total power consumption?	W	27	42	
Does the mirror have an energy rating?	-	F		
What is the colour of the light and the Kelvin rating?	K	6000K		
What is the Lumen of the LEDs?*	Lms	900		
What is the wattage of the lights?	W	12		
Where is the Touch Sensor located?	-	Lower Right	Lower Centre	
Where is the shaver socket located?	-	Inside on the top right		
Can the LED lighting be replaced?	-	No**		
Can the slider controller switch be replaced?	-	No		
What is the output of the demister pad?	W	15	30	30
What are the dimensions of the demister pad?	mm	200 x 300	2pcs 150 x 400	2pcs 200 x 300
How do I turn on the demister pad?	-	The demister pad will turn on when the LEDs are turned on.		
Are illuminated mirrors supplied with mains cable?	-	All illuminated mirrors are supplied with a removeable 500mm mains cable. There is ample storage for excess cable in the back of the unit.		

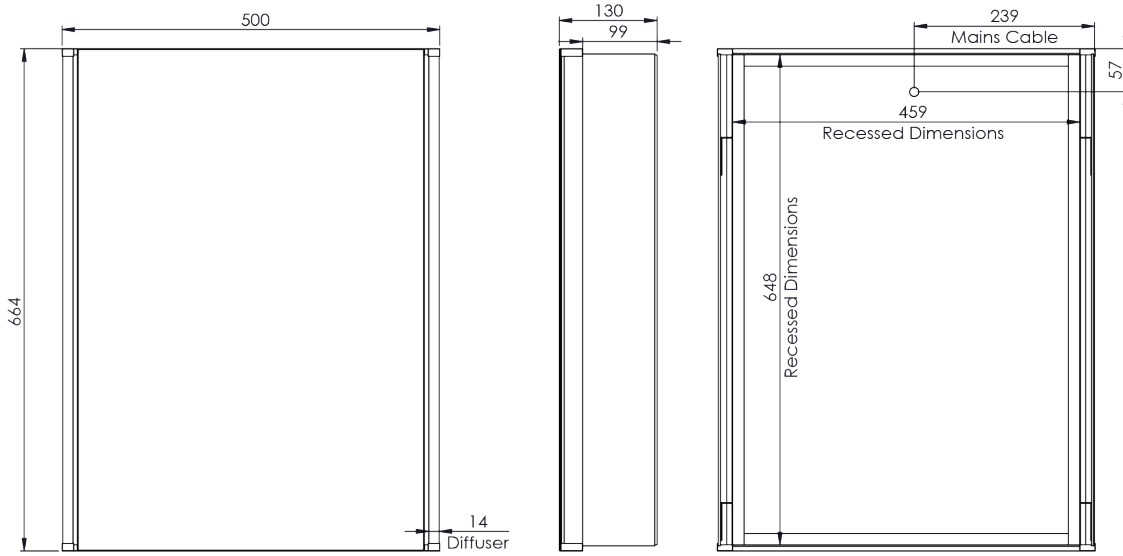
5 Year Guarantee

We have complete confidence in this R2 bathroom Cabinet and as such it is offered with a 5-year guarantee against defects in manufacture. The electronics are covered by our 2-year guarantee. In the unlikely event that this product should fail during the guarantee period we will either replace the faulty part or the complete unit as appropriate.

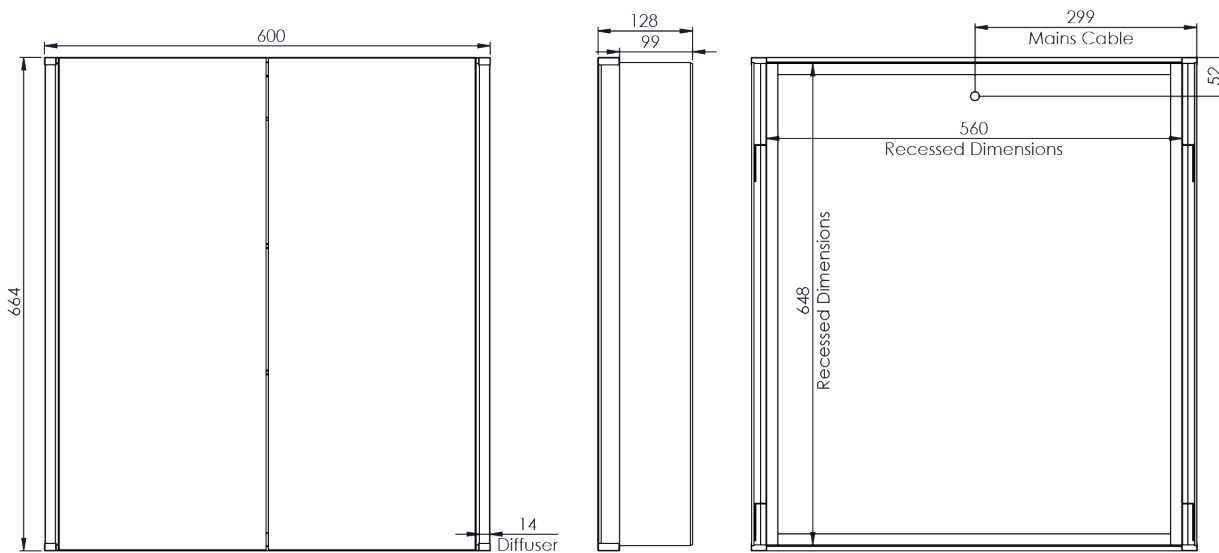
R2, Brassmill Lane Trading Estate, Bath BA1 3JF
 TEL: 01225 303 900 | techsupport@r2bathrooms.co.uk
www.r2bathrooms.co.uk/

Dimensions are subject to change customers are advised to measure actual product before commencing installation.
 Fixing point dimensions are for guidance only/the positions of wall fixing must be checked when product is received.
 *The Lumen represents the output of the LED. This may vary depending on the diffuser material i.e., glass or acrylic.
 **The LEDs are not replaceable to maintain the integrity of the product's resistance to moisture ingress.

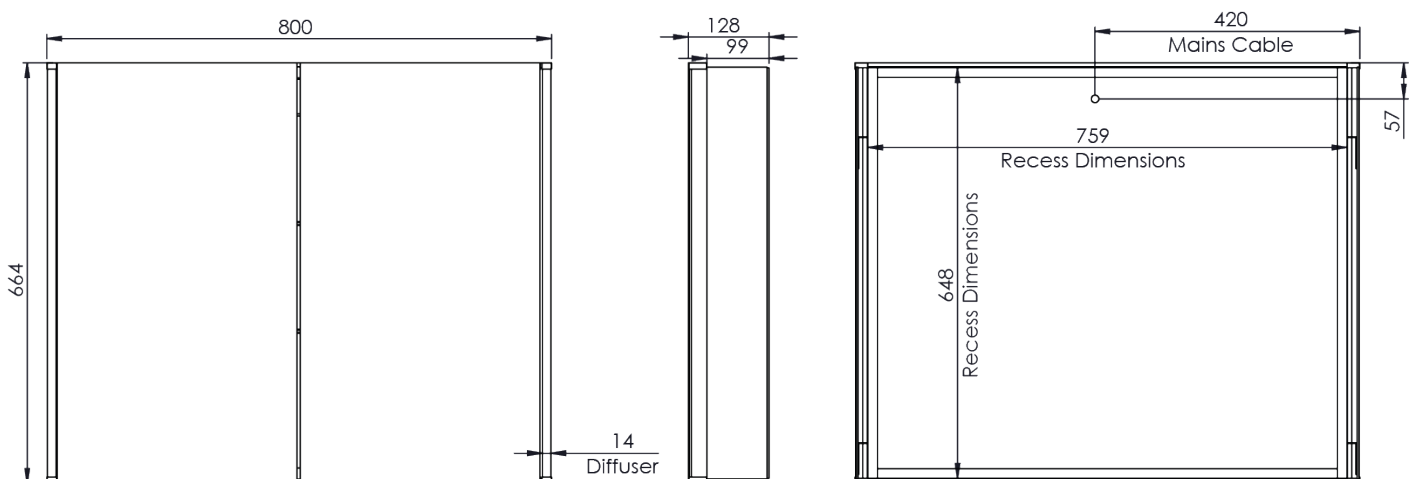
FWC050



FWC060



FWC080

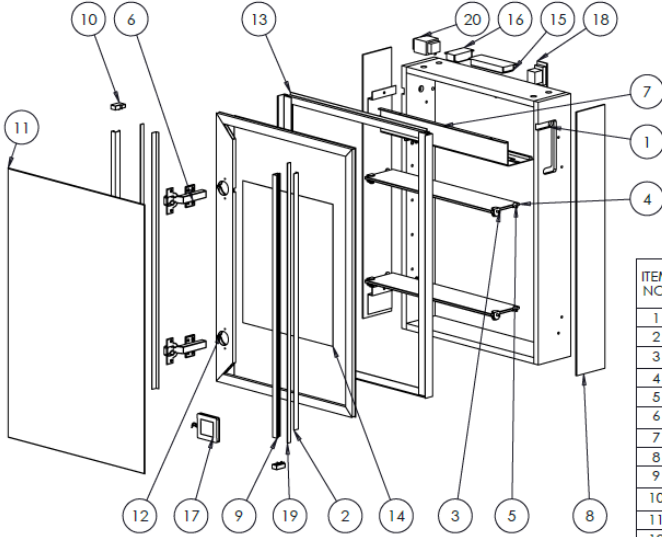


Flow ERP

FLOW

APPLICABLE TO: FWC050, FWC060, FWC080

Product must be turned off and isolated from the power supply before performing maintenance



ITEM NO.	PART NAME	REF.	MATERIAL	QTY.	ENERGY RATING	REPLACEABLE BY	JUSTIFICATION IF NOT REPLACEABLE
1	Carcass		MDF	1			
2	LED Bracket		Aluminium	2			
3	Shelf Clip			4			
4	Glass Shelf		Glass	2			
5	Shelf Bracket			4			
6	Hinge			2			
7	Electronics Case		Aluminium	1			
8	Mirror Side		Glass	2			
9	LED Diffuser		Acrylic	2			
10	End Cap		ABS	4			
11	Mirror Glass		Glass	2			
12	Door Edges			1			
13	Aluminium Edge Extrusions			4			
14	Demister Pad	MF-2201		1			
15	Driver	SNP30-12VF-3 / AED25-12VLSJ / AED15-12VLSJ		2		PROFESSIONAL	
16	Relay	HK4100F		1			
17	Touch Sensor	JYF-2010		1			
18	Shaver Socket	TS-506		1			
19	LEDs			1		PROFESSIONAL	
20	Transformer	DC-240-0080T		1			

LIGHT SOURCE/ CONTROL GEAR
 LIGHT SOURCE
 CONTAINING PRODUCT
 CONTROL GEAR

PROFESSIONAL
 USER
 NOT REPLACEABLE

REPLACEABLE (LED ONLY) LIGHT SOURCE BY A PROFESSIONAL
 REPLACEABLE CONTROL GEAR BY A PROFESSIONAL

ROPER RHODES[®]
 Design © Roper Rhodes Ltd
Copyright / design right owned by Roper Rhodes Ltd. In the event of this being infringed Roper Rhodes Ltd will take any necessary legal action to protect it.

Revision: 27 June 2022
 Created: 26 April 2022
 Sheet 1 of 1

Title: Flow ERP
 Material:
 Finish:
 Dimensions: mm

Drawn by: Jess Gardner
 Scale: 1:8
A3