

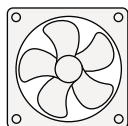
### FURNITURE AFTERCARE INSTRUCTIONS

As with all wooden furniture, this product should be treated with care.

#### We recommend...



Wipe away any water splashes or condensation after use. Excessive exposure to water will deteriorate the furniture.



All bathrooms should be well ventilated with a suitable extractor fan.



Clean with a soft damp cloth only.



For removal of lime scale deposits use a suitable proprietary cleaner. If necessary test on an inconspicuous area first.



Clean the front glass fascia with a soft cloth and use a proprietary glass cleaning solution.

#### Please DO NOT...



Do not scrub or scour



Do not use abrasive cleaning agents

### Replacement Components

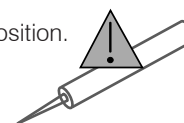
Should you require any replacement components for this product please contact Roper Rhodes using the contact details below.

### SAFETY NOTICE

The unit and basin should be fully secured to a suitably reinforced wall to ensure stability. The wall plugs supplied are only suitable for solid stone/brick walls. For plasterboard walls use specialist wall plugs along with supplementary wall strengthening as units can be very heavy. Seek advice from a specialist about the suitability of fixings to be used.

Wear suitable eye protection when drilling. Take care when using power tools near water - the use of a residual current device (RCD) is recommended. Beware of hidden pipes or cables. Take care when drilling tiled surfaces as the drill might slip. Use a piece of masking tape to prevent the drill from wandering.

Ensure to follow these instructions to the end, acknowledging final instruction of silencing basin in position.



### DRAWER USAGE

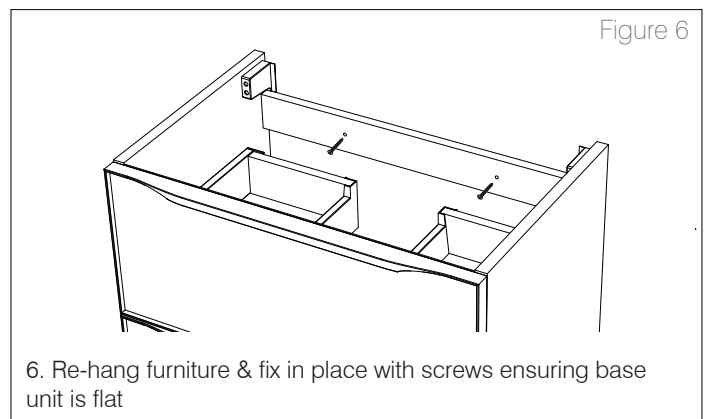
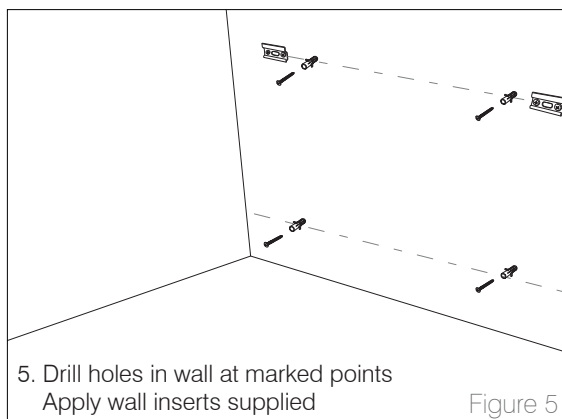
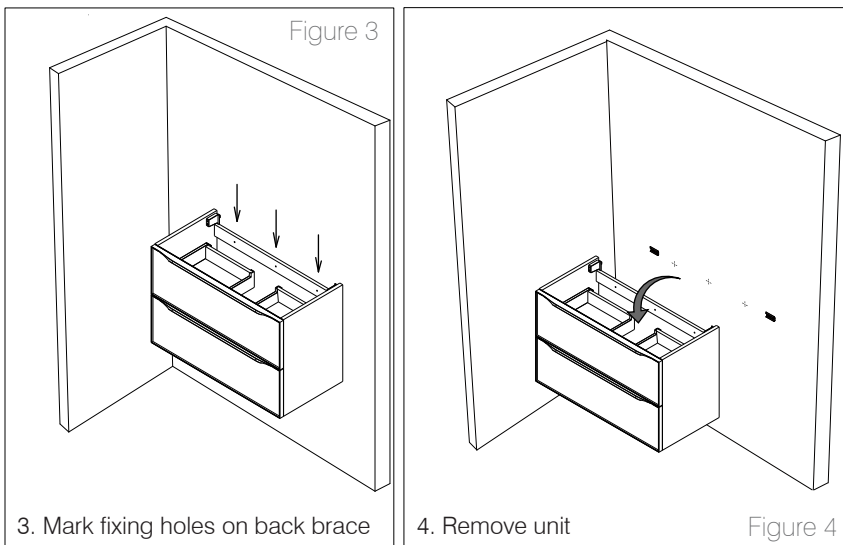
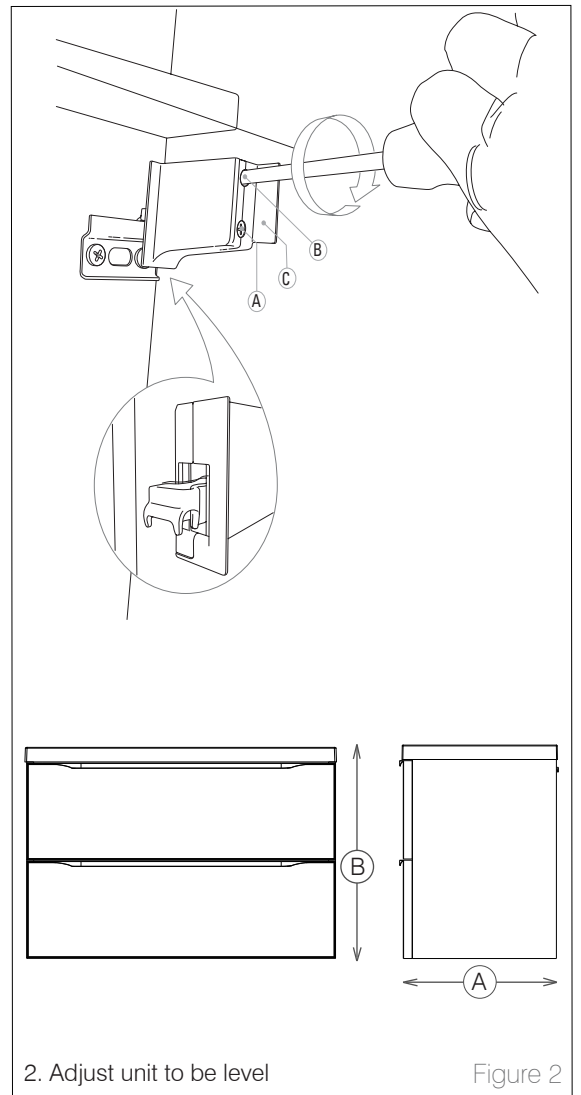
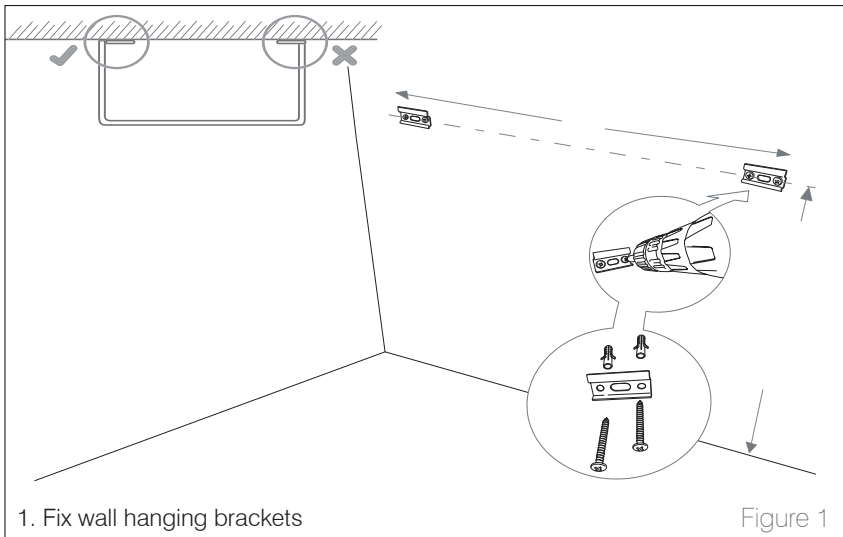
PLEASE NOTE – DUE TO DRAWER WEIGHT AND FULL EXTENSION DRAWER RUNNERS - ONLY ONE DRAWER SHOULD BE OPENED AT ANY ONE TIME TO PREVENT ANY CLASHES / DAMAGE.

### INSTALLATION PROCEDURE

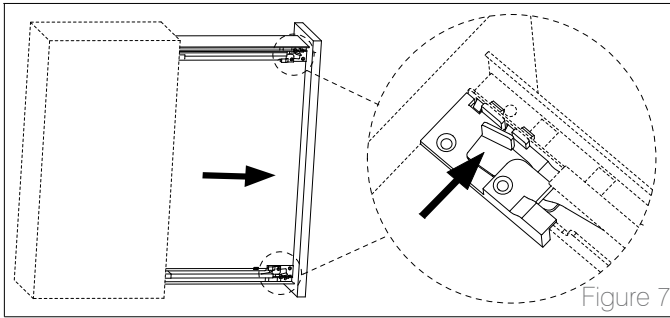
It is recommended that the unit and basin are secured to a suitably reinforced wall to ensure stability. The wall plugs supplied are only suitable for solid stone/brick walls. For plasterboard walls use specialist wall plugs along with supplementary wall strengthening as units can be very heavy. Seek advice from a specialist about the suitability of fixings to be used.

Wear suitable eye protection when drilling. Take care when using power tools near water - the use of a residual current device (RCD) is recommended. Beware of hidden pipes or cables. Take care when drilling tiled surfaces as the drill might slip. Use a piece of masking tape to prevent the drill from wandering.

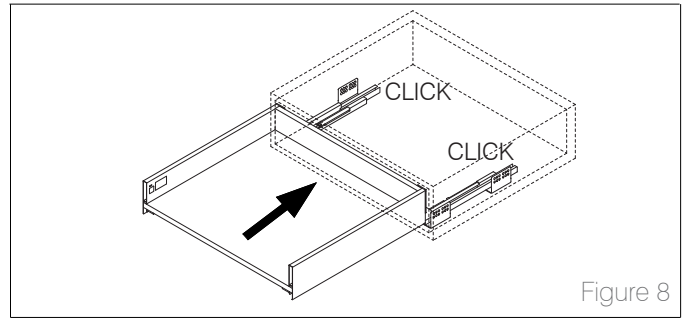
### WALLMOUNTING THE UNITS



### REMOVING DRAWER / RE-ATTACHING DRAWER

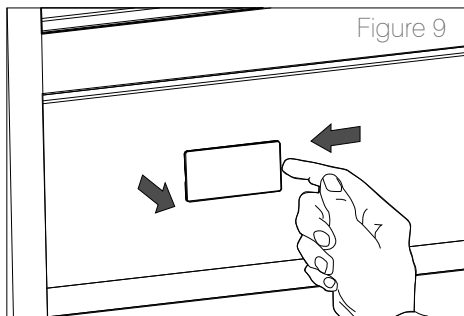


To remove the drawer - press and hold in the levers on both sides of the drawer and slide the drawer from the runners.

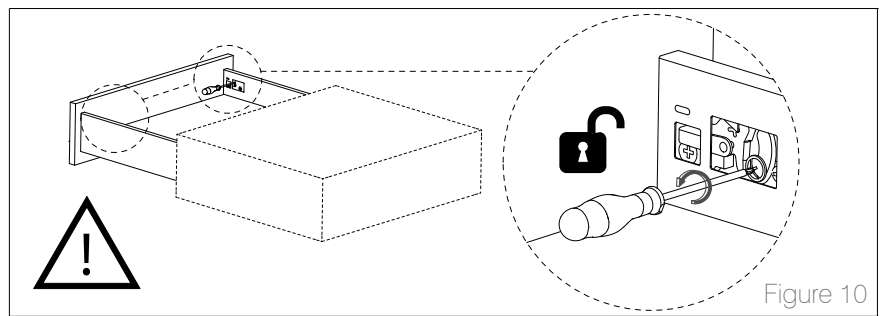


When replacing the drawer - ensure that the runners fully engage at the back of the drawer and an audible click is heard

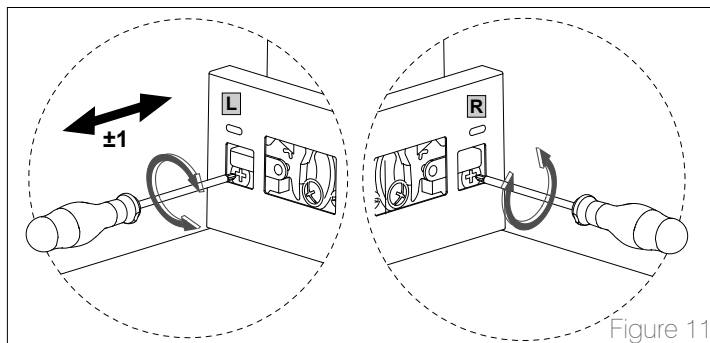
### DRAWER FRONT ADJUSTMENT / DRAWER FASCIA REMOVAL



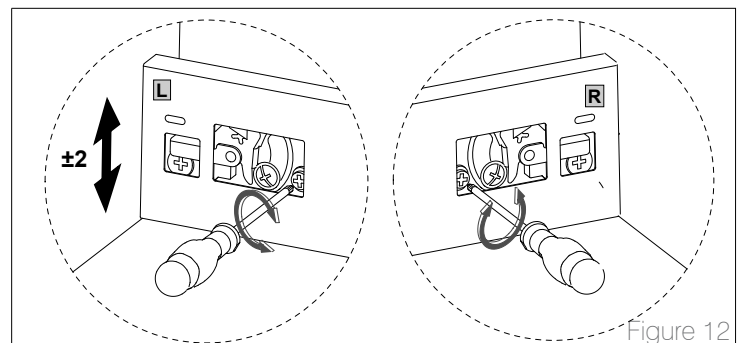
Remove the cover caps from the insides of the drawer on both sides to show the adjustment panels



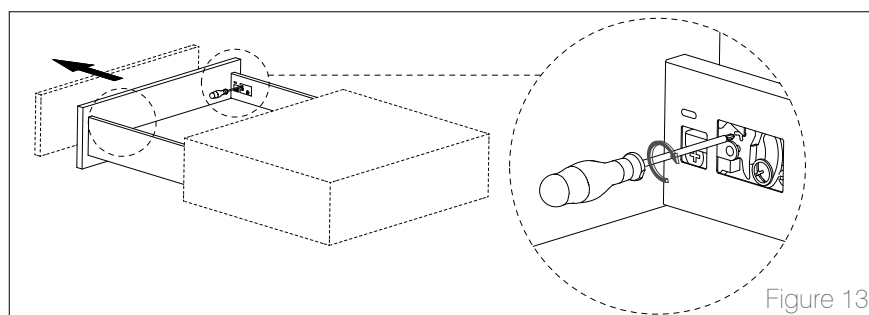
**BEFORE ANY ADJUSTMENTS, LOCKING SCREWS ON BOTH RUNNERS SHOULD BE UNSCREWED. FAILURE TO DO SO COULD DAMAGE THE RUNNERS**



**Horizontal adjustment.** Turn the screws shown until they become stiff - turning past this point will move the drawer fascia left / right



**Vertical adjustment.** Turn the screws shown to raise / lower the drawer front. This can be done on the left and right hand runners.



#### Fascia removal.

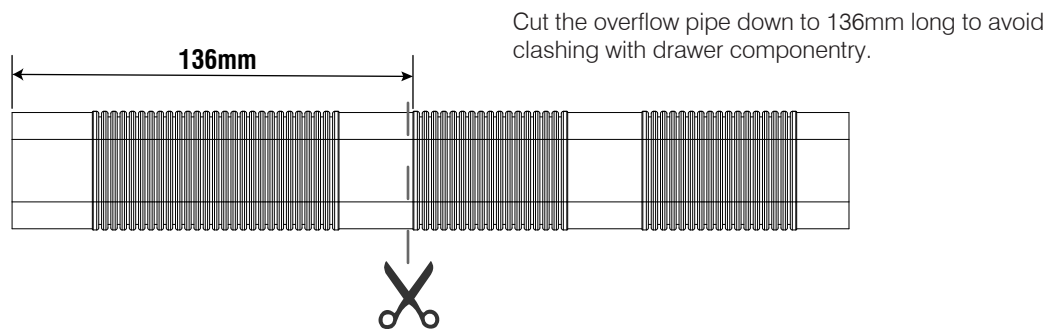
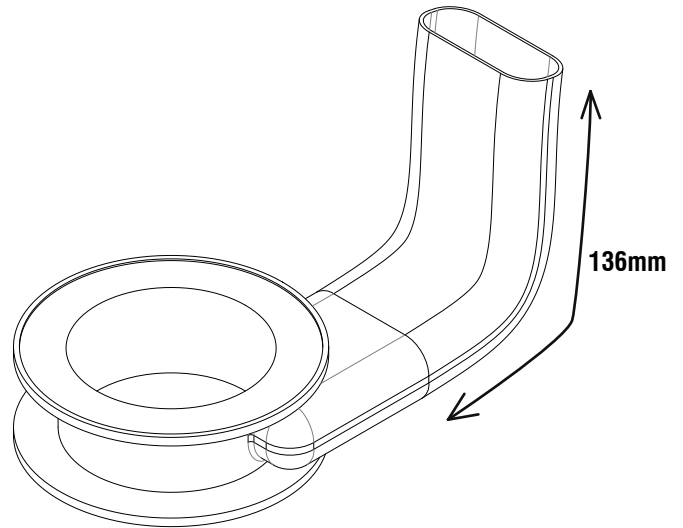
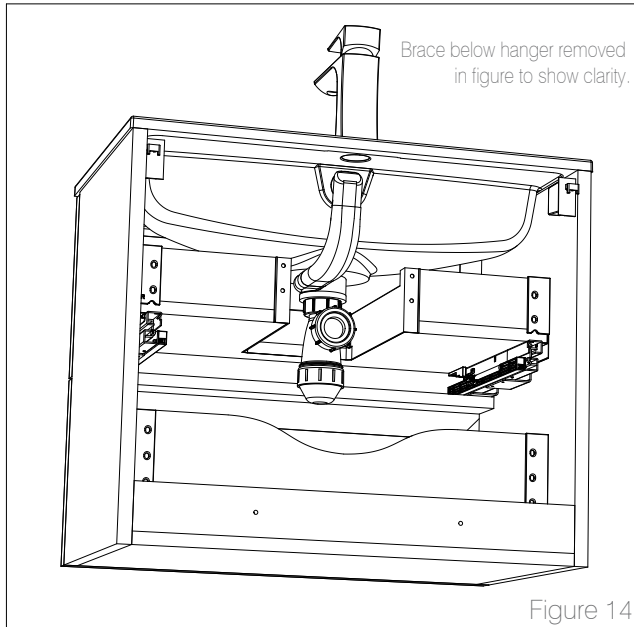
- Insert screwdriver into release mechanism (moving the shield out of the way) and twist the mechanism on both sides to release the drawer front.
- To reattach - simple push drawer fascia back into place (it will click and lock in place).

**ONCE ALL ADJUSTMENTS MADE - RE-TIGHTEN LOCKING SCREWS AND REPLACE COVER CAPS**

### INSTALLING OVERFLOW WASTE KIT - For 600/ 800 Isocast Basins Only

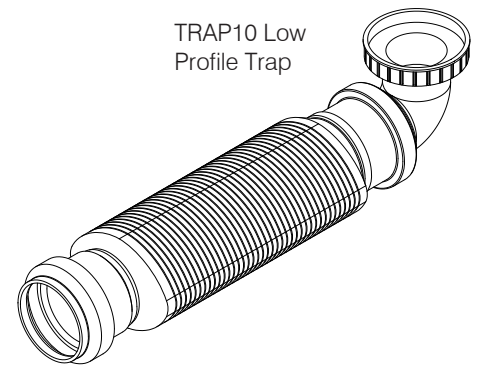
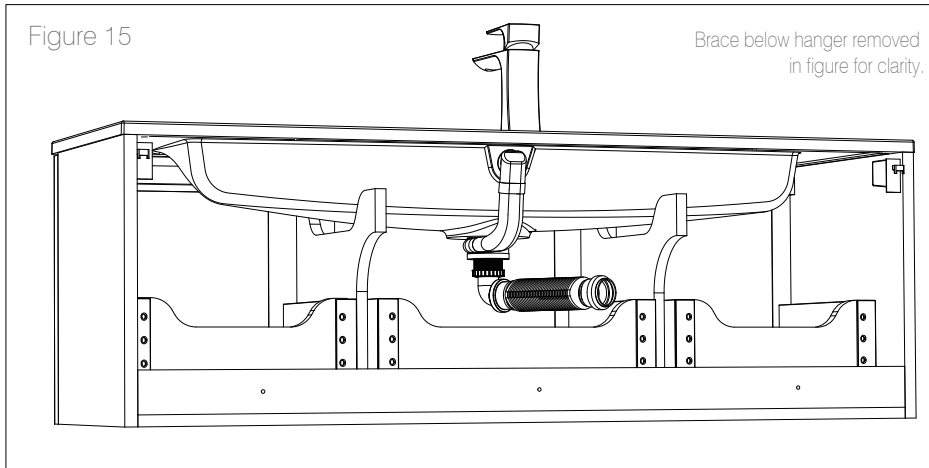
Kit included with basin

- Follow instructions on overflow waste kit packaging.
- The overflow pipe will need to be cut (as shown on packaging and below) to 136mm in length. This is to avoid clashing with drawer componentry on top drawer. See Figure 14
- Ensure pipe has a watertight fit both on overflow cap, and waste inlet.



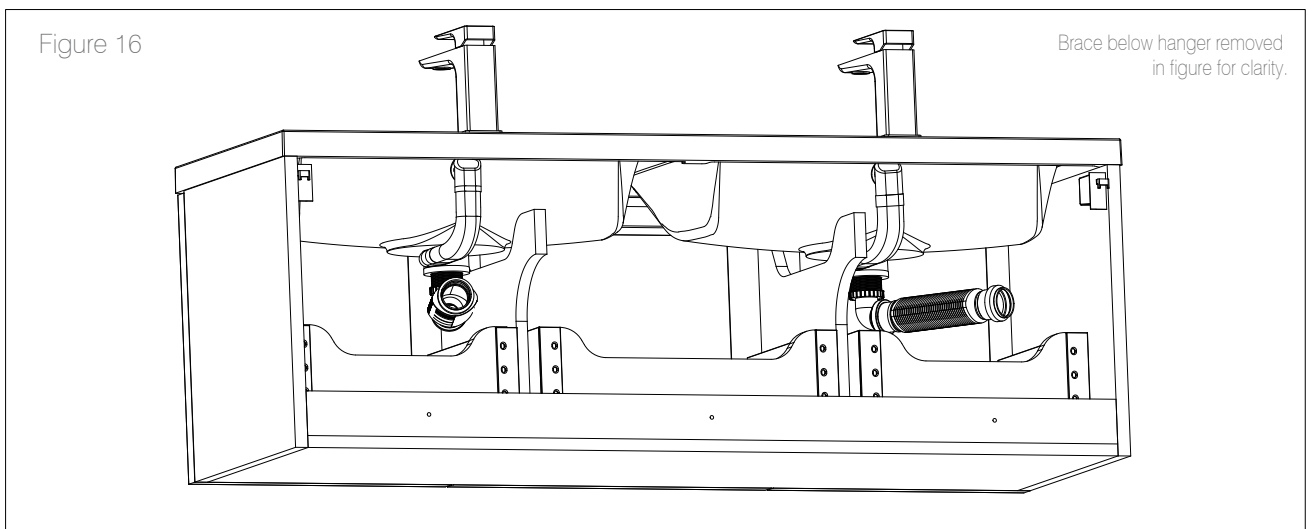
### INSTALLING OVERFLOW WASTE KIT - For 1200 Isocast Basins Only

- Follow instructions on overflow waste kit packaging.
- Use TRAP10 low profile trap.
- The overflow pipe will need to be cut (as shown above) See Figure 15.
- Ensure pipe has a watertight fit both on overflow cap, and waste inlet.



### FOR SCHEME 1200 DOUBLE ISOCAST BASIN

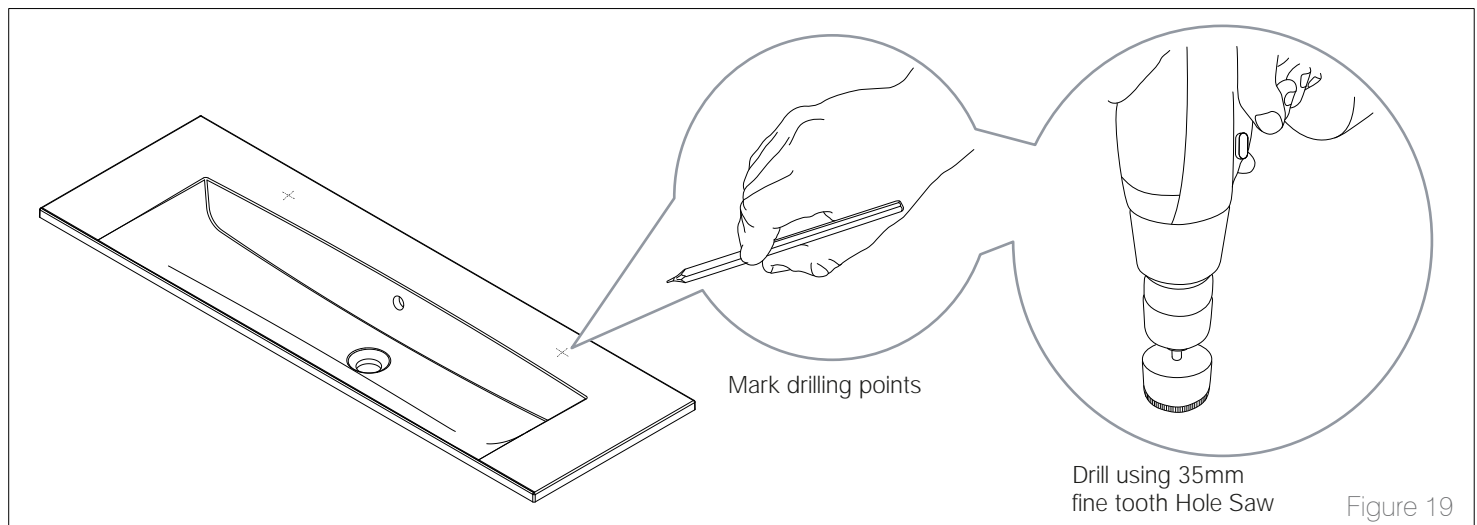
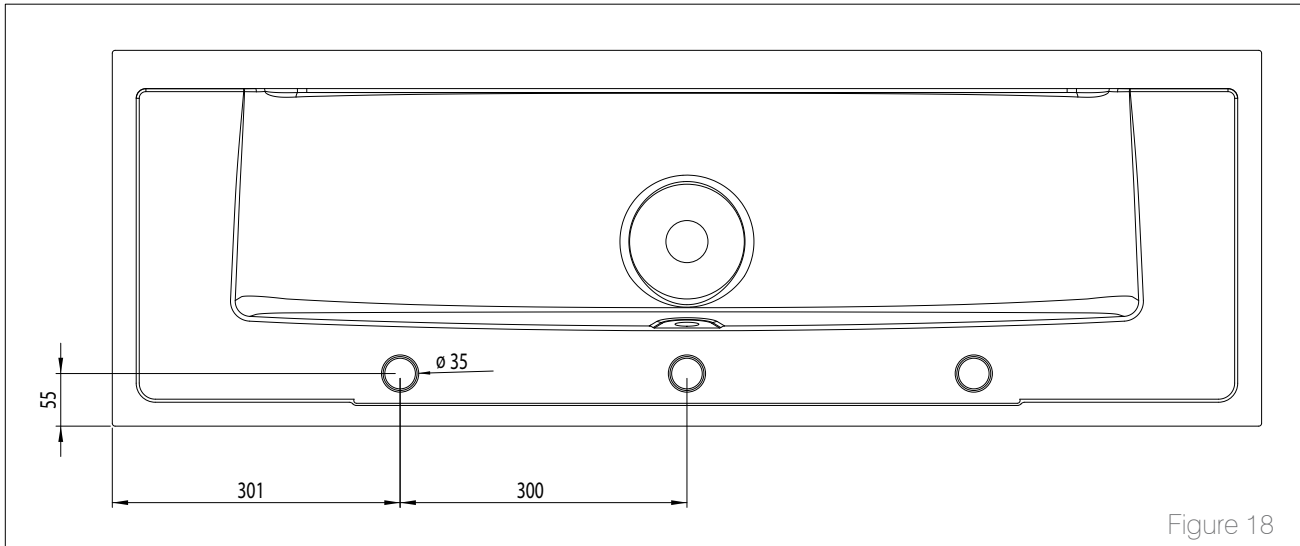
- Follow instructions on overflow waste kit packaging.
- Use TRAP10 low profile trap.
- The overflow pipes will need to be cut (as shown on page 4) See Figure 16.
- Ensure both pipes have a watertight fit both on overflow caps, and waste inlets.



### CUTTING TAP HOLE(S)

The Frame 1200 isocast basin does not have pre-cut tap holes. This allows a wallmounted tap to be used. Alternatively there are suggested positions and pre-drills which allow the basin to be used with 1 (central) or 2 basin mixers (left and right). The holes should be cut using a drill and 35mm fine tooth hole saw. These should be cut prior to the basin being secured to the unit.

Using the appropriate equipment, follow the instructions and guide for the tap holes below.



Secure and support the basin top face up on a secure surface (trestle tables), allowing room to cut. **CUT FROM THE TOP DOWN AS THE HOLE SAW MAY CHIP THE EXIT SURFACE.** Ensure the worktop is supported either side of the bowl as well as the ends to prevent the worktop from breaking from the pressure of the drill.

After making the above checks, mark the centre of the desired tap hole location on the top of the worktop using the dimensions given above. See Figure 18. Drill a pilot hole large enough for the Hole Saw arbour.

Position the arbour of the hole saw into the pilot hole and carefully start cutting the worktop. Work slowly and let the tool cut the material. **DO NOT APPLY EXCESSIVE DOWNWARD PRESSURE AS THIS MAY BREAK THE WORKTOP.** When you have almost cut through the worktop slow the speed of the drill and avoid pressing down, this will minimise chipping on the underside. Any sharp edges can be smoothed with fine grit sandpaper.

### BASIN INSTALLATION

- Apply a bead of silicone to the basin / worktop on 2 sides to fix to and protect the side panels as per figure 15.
- Typically the basin also has a silicone bead along the back edges where it meets the wall (not shown)
- The basin should be held in place while the silicone cures.

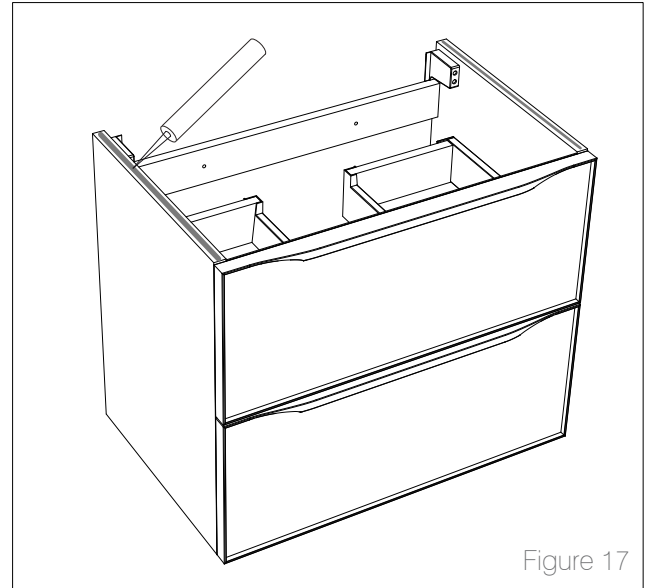


Figure 17