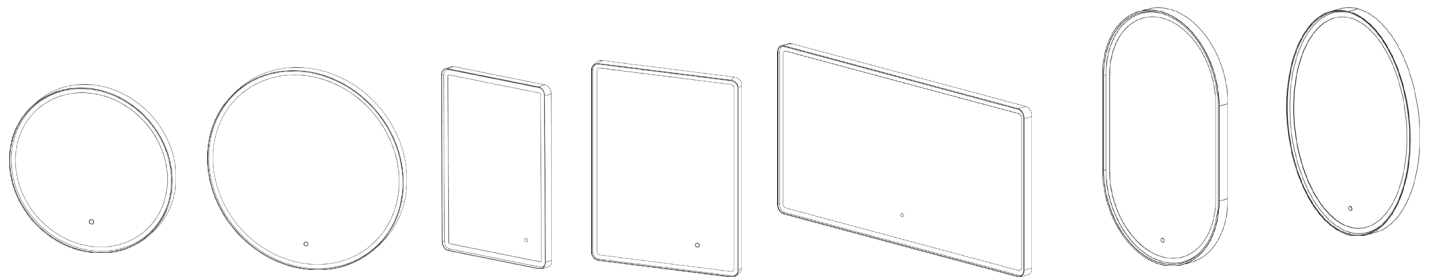


Technical Data Sheet

FRAME



Box Contents:

Frame Mirror | 2x wall plugs | 2x screws | Instructions booklet

Materials

Frame Material: Extruded Aluminium

Glass: 5mm PVC Backed

FAQ's:	Units	FR50SG	FR60RW FR60RG	FR60SW FR60SG	FR80RW FR80RG	FR120SW FR120SG	FR50PG	FR50VG
Can the mirror be hung landscape?	-	Yes	No	Yes	No	Yes		
What is the thickness of the mirror glass?	mm	5						
Is the mirror IP44 rated?	-	Yes – Suitable for use in bathroom zone 2						
What size fuse should I use?	-	Seek the advice of an electrician						
What is the total power consumption?	W	56.4	36.3	58	60.4	90	90	90
Does the mirror have an energy rating?	-	Yes – It has an energy rating of: F						
What is the colour of the light and the Kelvin rating?	K	2700 - 6500						
What is the wattage of the lights?	W	21.5	19	23	25.5	33.5	36.8	33.3
Where is the IR sensor/rocker switch located?	-	Front bottom right	Front middle	Front bottom right	Front middle	Front bottom right	Front middle	
Can the LED lighting be replaced?	-	No***						
Can the IR sensor be replaced?	-	Yes						
What is the output of the demister pad?	W	34.9	17.3	35	35	56.3	17.3	17.3
What are the dimensions of the demister pad? (L x W)	mm	310 x 450	230 x 300	310 x 450	310 x 450	250 x 900	230 x 300	230 x 300
How do I turn on the demister pad?	-	The demister pad will turn on when the LEDs are turned on.						
Are illuminated mirrors supplied with mains cable?	-	All illuminated mirrors are supplied with a removeable 500mm mains cable.						

10 Year Guarantee

We have complete confidence in this Roper Rhodes bathroom Mirror and as such it is offered with a 10-year guarantee against defects in manufacture. The electronics are covered by our 2-year guarantee. In the unlikely event that this product should fail during the guarantee period we will either replace the faulty part or the complete unit as appropriate.

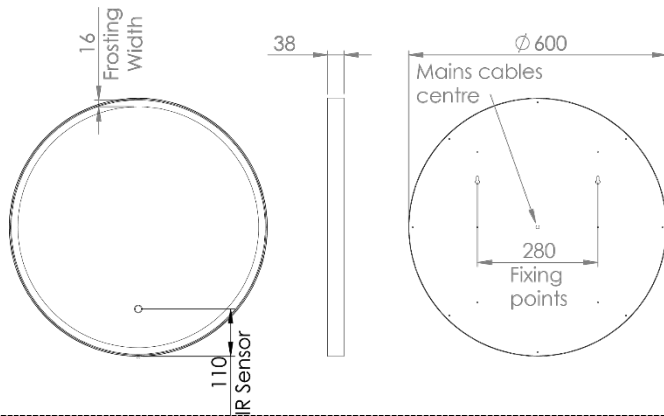
Roper Rhodes, Brassmill Lane Trading Estate, Bath BA1 3JF
 TEL: 01225 303 900 | techsupport@roperrhodes.co.uk
www.RoperRhodes.com

*Dimensions are subject to change, customers are advised to measure actual product before commencing installation.

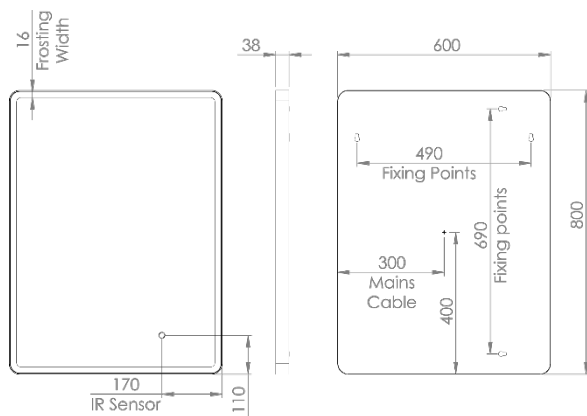
**Fixing point dimensions are for guidance only/the positions of wall fixing must be checked when product is received.

***The LEDs are not replaceable to maintain the integrity of the product's resistance to moisture ingress.

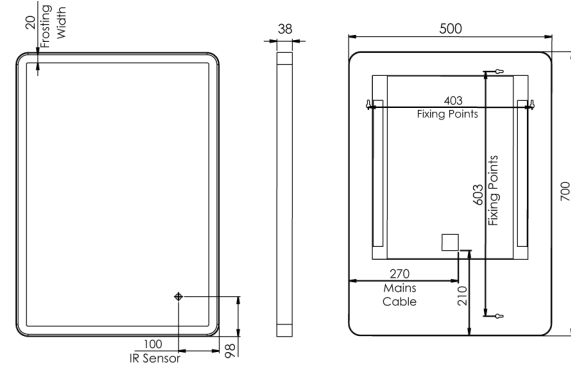
FR60RW/RG



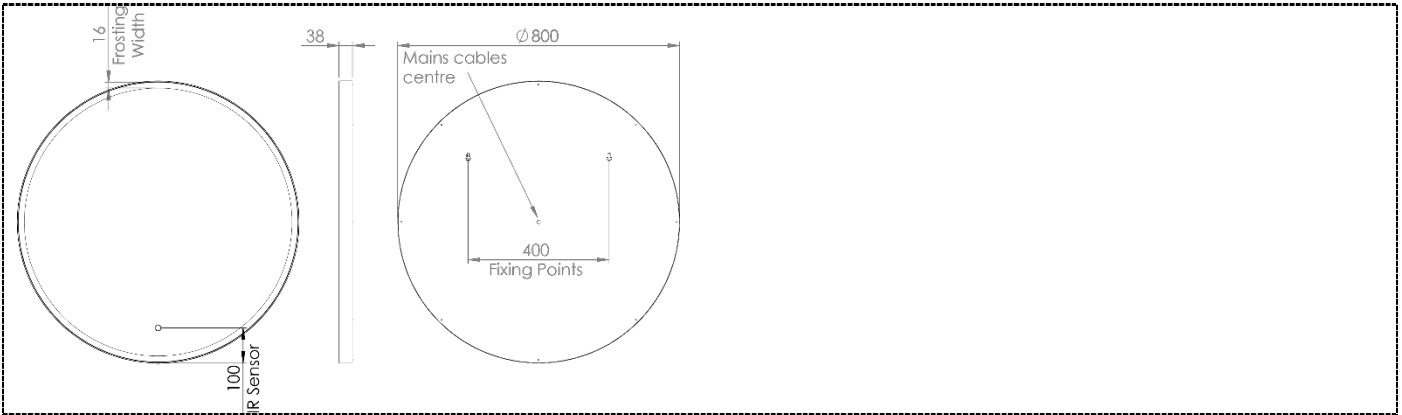
FR60SW/SG



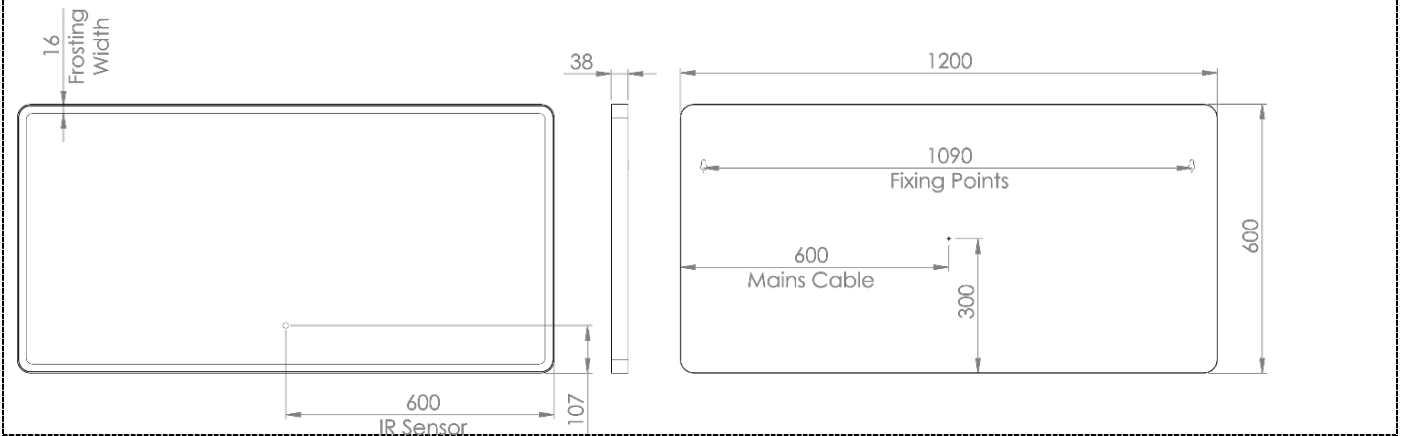
FR50SW/SG



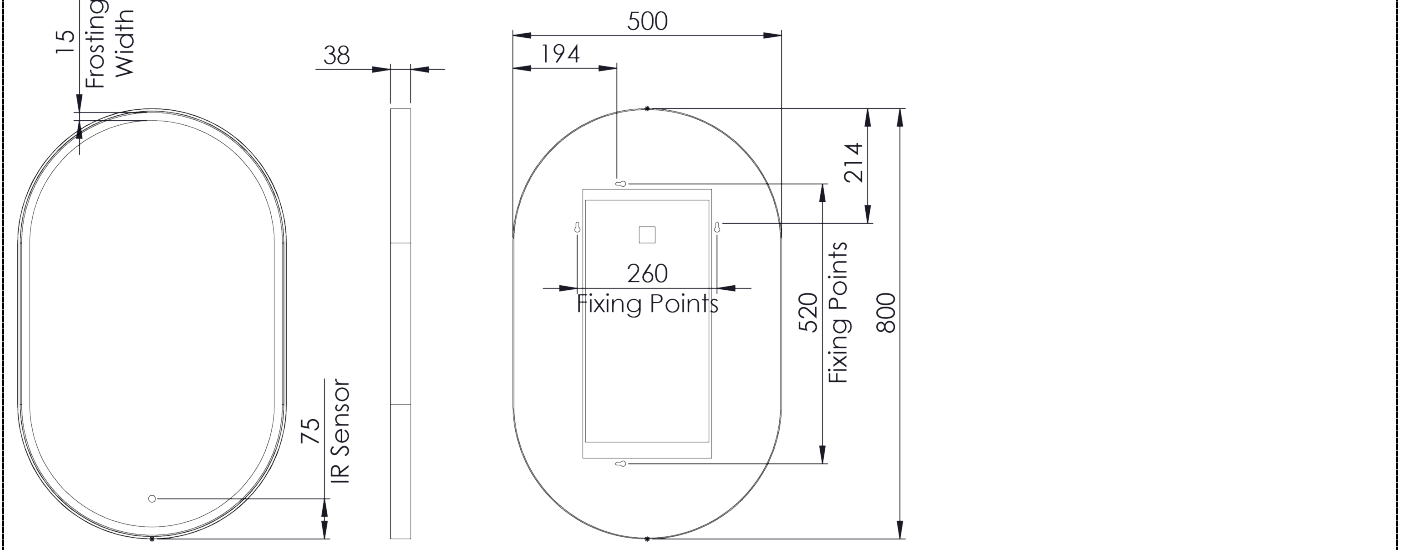
FR80RW/RG



FR120SW/SG



FR50PG



FR50VG

