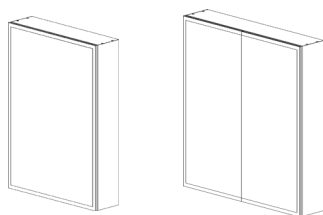


Technical Data Sheet

Freedom



Box Contents:

Freedom Cabinet | 3 glass shelves | 2x Wall hanging brackets | 6x wall plugs | 6x screws | Instructions booklet

Materials:

Carcass: Extruded Aluminium | Door: Mirror, PMMA & Mirror | Backboard: 3mm MDF
 Glass: 3mm PVC Backed

FAQ's:	Units	FRC050	FRC065
Internal dimensions (L x W x D)	mm	470 x 670 x 105	620 x 670 x 105
Shelf dimensions (L x W x D)	mm	466 x 100 x 5	616 x 100 x 5
Max shelf spacing	mm	275	
Distance between door hinges	mm	350	
Individual door dimensions (L x W x D)	mm	500 x 700 X 11	700 x 325 x 11
Door opening angle	°	125	
Depth with door fully open	mm	620	445
Hanging bracket centres	mm	425	602
What is the thickness of the mirror glass?	mm	3mm	
Is the cabinet IP44 rated?	-	Yes	
What size fuse should I use?	-	Seek the advice of an electrician	
What is the total power consumption?	W	60.2	67.8
Does the mirror have an energy rating?	-	A	
What is the colour of the light and the Kelvin rating?	K	6000K	
What is the wattage of the lights?	W	28.2	318
Where is the IR Sensor located?	-	Underside - right side	
Can the LED lighting be replaced?	-	No	
Can the IR Sensor be replaced?	-	Yes	
What is the output of the demister pad?	W	12	16
What are the dimensions of the demister pad?	mm	400 x 200	400 x 150 (2pcs)
How do I turn on the demister pad?	-	The demister pad will turn on when the LEDs are turned on.	
Are illuminated mirrors supplied with mains cable?	-	All illuminated mirrors are supplied with a removeable 500mm mains cable. There is ample storage for excess cable in the back of the unit.	

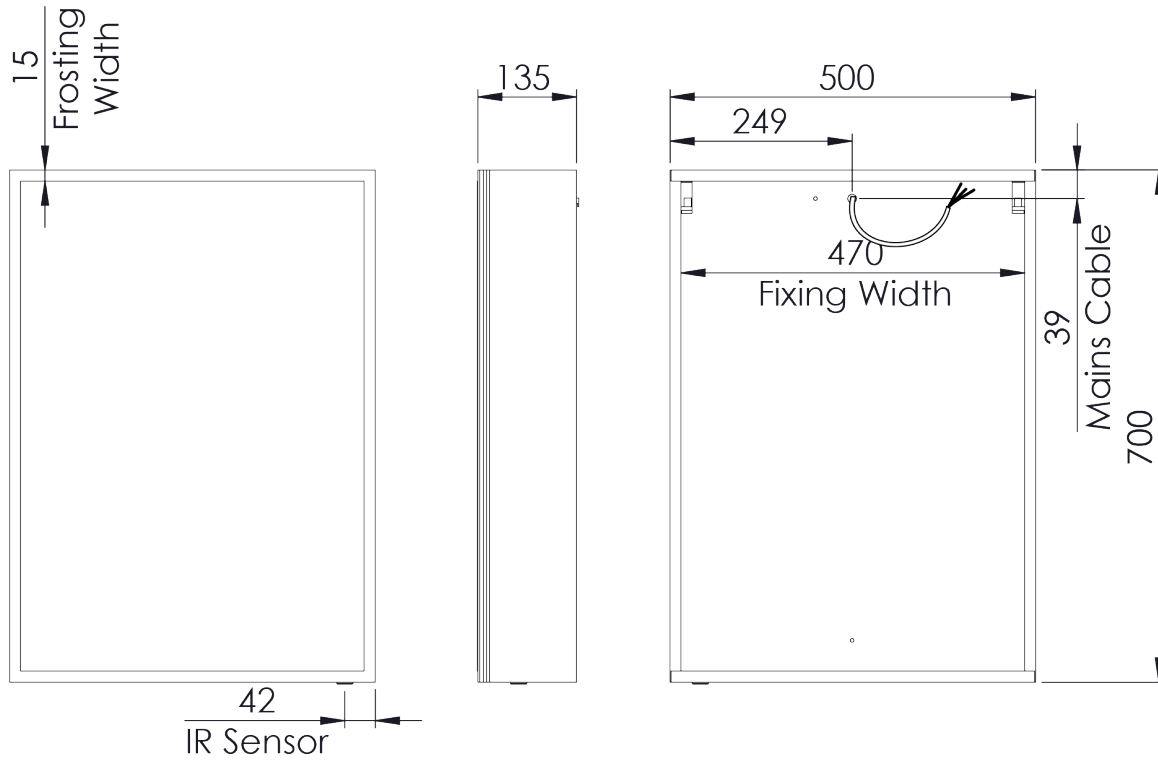
5 Year Guarantee

We have complete confidence in this R2 bathroom Cabinet and as such it is offered with a 5-year guarantee against defects in manufacture. The electronics are covered by our 2-year guarantee. In the unlikely event that this product should fail during the guarantee period we will either replace the faulty part or the complete unit as appropriate.

*Dimensions are subject to change customers are advised to measure actual product before commencing installation.

**Fixing point dimensions are for guidance only/the positions of wall fixing must be checked when product is received.

FRC050



FRC065

