

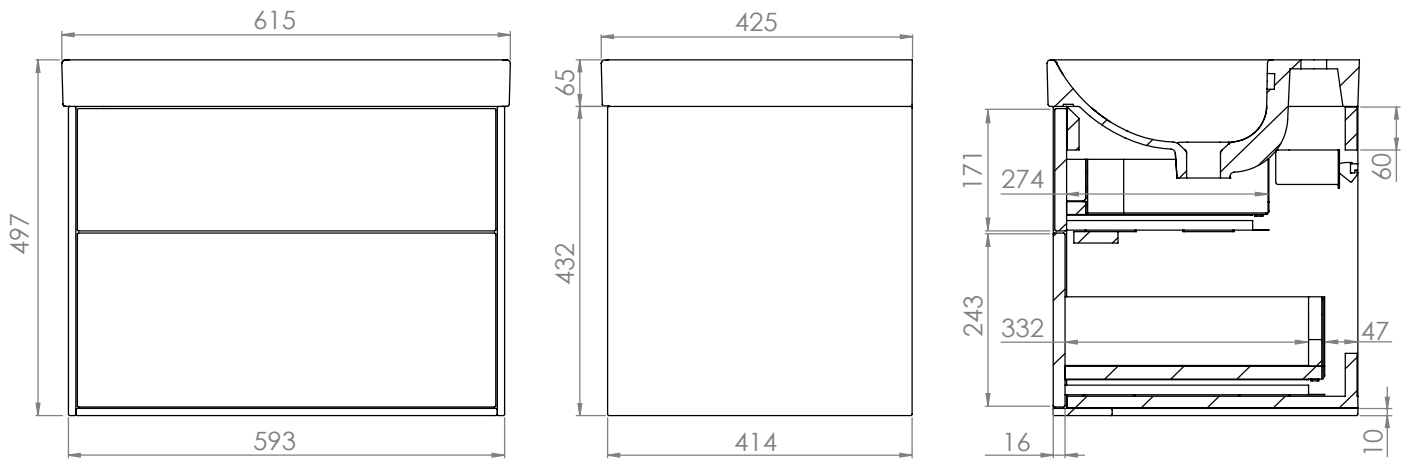
TECHNICAL DATA SHEET

FABER 600mm WALL MOUNTED UNIT

ROPER RHODES®

What's in the box: 1 x FB6D-XX + Fixings

*Reference basin TDS for further info



Materials

Carcass: 16mm MFC

Fascia Components: 16mm MDF

Side Panel: 10mm MDF

Trim Panel: 10mm MDF

**Dimensions are subject to change, customers are advised to measure actual product before commencing installation.

***Fixing point dimensions are for guidance only/the positions of wall fixing must be checked when product is received.

Diagrams not to scale
All dimensions in mm
tolerance of +/-3mm

Extra Dimensions:

Internal Drawer Depth - Front to Back:

Top Drawer - 275mm / Bottom Drawer - 325mm

Internal Drawer Height:

Top Drawer - 59mm / Bottom Drawer - 95mm

Internal Drawer Width:

500mm

Top Drawer Cut Out (W&D):

150mm Wide / 248mm Depth

Hanger Centres:

Approx 530 mm

FAQs

How big is the plumbing void at the back of the furniture?

47mm.

Are the runners soft close?

The runners are both soft close and quick release.

How deep is the unit when the drawers are fully open?

Approx. 740mm excluding handle.

Can the drawers be adjusted?

Yes, vertical and horizontal adjustment is available.

What is the interior finish of the unit?

The interior finish is Dark Grey edgebanded MFC.

Does the unit come assembled?

The unit is assembled but selected fascias, side panels and trims will need to be fitted.

NOTE: Colours unique to Roper Rhodes - No RAL Code available

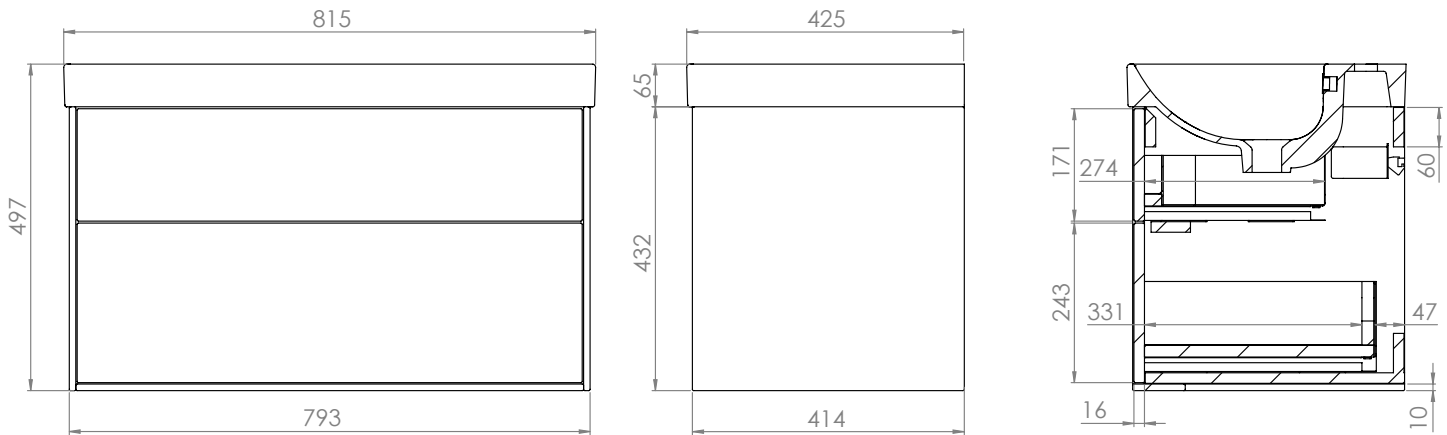
TECHNICAL DATA SHEET

FABER 800mm WALL MOUNTED UNIT

ROPER RHODES®

What's in the box: 1 x FB8D-XX + Fixings

*Reference basin TDS for further info



Materials

Carcass: 16mm MFC

Fascia Components: 16mm MDF

Side Panel: 10mm MDF

Trim Panel: 10mm MDF

**Dimensions are subject to change, customers are advised to measure actual product before commencing installation.

***Fixing point dimensions are for guidance only/the positions of wall fixing must be checked when product is received.

Diagrams not to scale
All dimensions in mm
tolerance of +/-3mm

Extra Dimensions:

Internal Drawer Depth - Front to Back:

Top Drawer - 275mm / Bottom Drawer - 325mm

Internal Drawer Height:

Top Drawer - 59 mm / Bottom Drawer - 95 mm

Internal Drawer Width:

700 mm

Top Drawer Cut Out (W&D):

150mm Wide / 248mm Depth

Hanger Centres:

Approx 760 mm

FAQs

How big is the plumbing void at the back of the furniture?

47mm.

Are the runners soft close?

The runners are both soft close and quick release.

How deep is the unit when the drawers are fully open?

Approx. 740mm including handle.

Can the drawers be adjusted?

Yes, vertical and horizontal adjustment is available.

What is the interior finish of the unit?

The interior finish is Dark Grey edgebanded MFC.

Does the unit come assembled?

The unit is assembled but selected fascias, side panels and trims will need to be fitted.

NOTE: Colours unique to Roper Rhodes - No RAL Code available

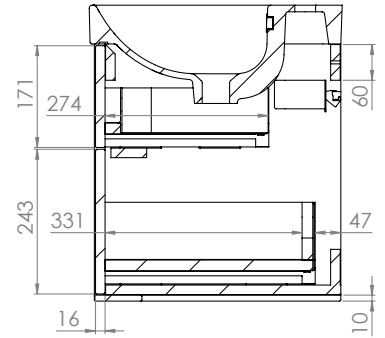
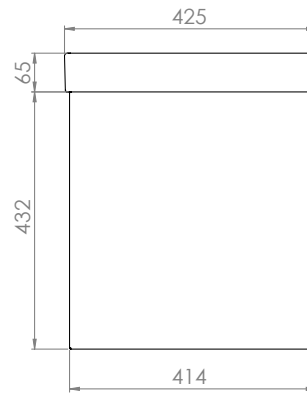
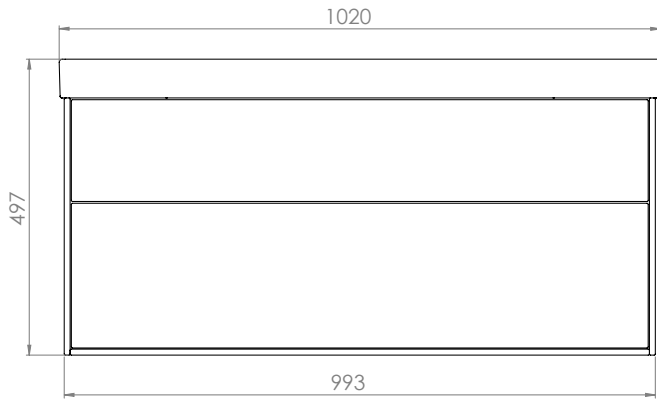
TECHNICAL DATA SHEET

FABER 1000mm WALL MOUNTED UNIT

ROPER RHODES®

What's in the box: 1 x FBI0D-XX + Fixings

*Reference basin TDS for further info



Materials

Carcass: 16mm MFC

Fascia Components: 16mm MDF

Side Panel: 10mm MDF

Trim Panel: 10mm MDF

**Dimensions are subject to change, customers are advised to measure actual product before commencing installation.

***Fixing point dimensions are for guidance only/the positions of wall fixing must be checked when product is received.

Diagrams not to scale
All dimensions in mm
tolerance of +/-3mm

Extra Dimensions:

Internal Drawer Depth - Front to Back:

Top Drawer - 275mm / Bottom Drawer - 325mm

Internal Drawer Height:

Top Drawer - 59 mm / Bottom Drawer - 95 mm

Internal Drawer Width:

900 mm

Top Drawer Cut Out (W&D):

150mm Wide / 248mm Depth

Hanger Centres:

Approx 960 mm

FAQs

How big is the plumbing void at the back of the furniture?

47mm.

Are the runners soft close?

The runners are both soft close and quick release.

How deep is the unit when the drawers are fully open?

Approx. 740mm excluding handle.

Can the drawers be adjusted?

Yes, vertical and horizontal adjustment is available.

What is the interior finish of the unit?

The interior finish is Dark Grey edgebanded MFC.

Does the unit come assembled?

The unit is assembled but selected fascias, side panels and trims will need to be fitted.

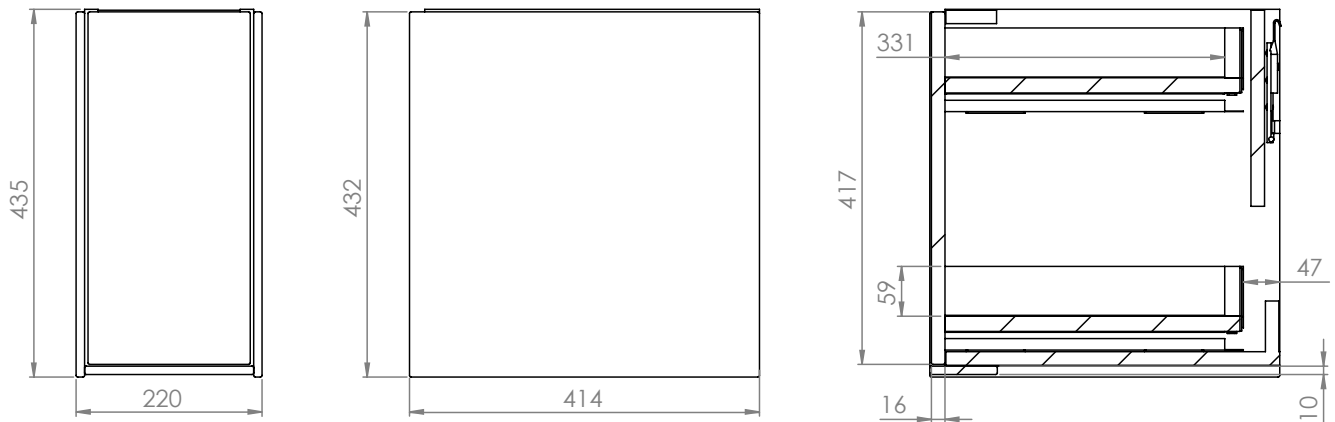
NOTE: Colours unique to Roper Rhodes - No RAL Code available

TECHNICAL DATA SHEET

FABER 200mm WALL MOUNTED UNIT

ROPER RHODES®

What's in the box: 1x FB2T-XX + Fixings



Materials

Carcass: 16mm MFC

Fascia Components: 16mm MDF

Side Panel: 10mm MDF

Trim Panel: 10mm MDF

**Dimensions are subject to change, customers are advised to measure actual product before commencing installation.
***Fixing point dimensions are for guidance only/the positions of wall fixing must be checked when product is received.

Diagrams not to scale
All dimensions in mm
tolerance of +/-3mm

Extra Dimensions:

Internal Drawer Depth - Front to Back:	325mm
Internal Drawer Height:	59mm
Internal Drawer Width:	130mm
Hanger Centres:	Approx 160mm

FAQs

Are the runners soft close?	The runners are both soft close and quick release.
How deep is the unit when the drawers are fully open?	Approx. 740mm including handle.
Can the drawers be adjusted?	Yes, vertical and horizontal adjustment is available.
What is the interior finish of the unit?	The interior finish is Dark Grey edgebanded MFC.
Does the unit come assembled?	The unit is assembled but selected fascias, side panels and trims will need to be fitted.

NOTE: Colours unique to Roper Rhodes - No RAL Code available