

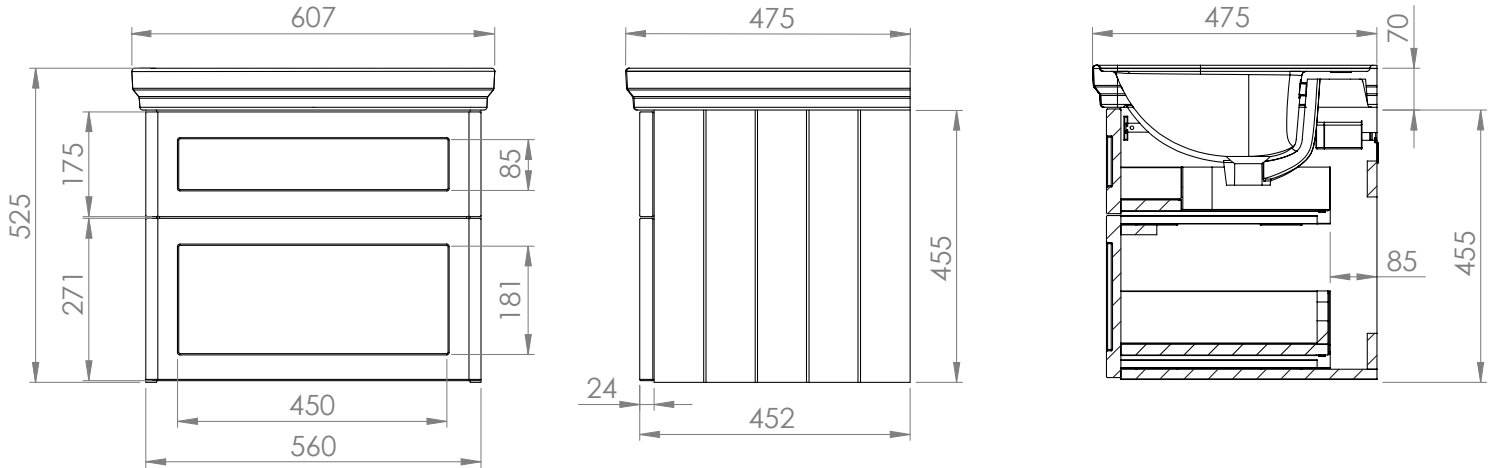
Technical Data Sheet

Marston 600 Wall Mounted Unit TDS

What's in the box: 1x MS600W.X + Fixings

TAVISTOCK
inspiring bathrooms

*Reference basin TDS for further info



Diagrams not to scale
All dimensions in mm
Tolerance of +/-5mm

Materials

Carcass: Painted MDF/MFC
Fascia Components: Painted MDF

**Dimensions are subject to change, customers are advised to measure actual product before commencing installation.

***Fixing point dimensions are for guidance only/the positions of wall fixing must be checked when product is received.

Extra Dimensions

Top and Bottom Drawer Internal Depth - Front to Back:	328mm
Top and Bottom Drawer Internal Width:	483mm
Top Drawer Internal Height:	55mm
Bottom Drawer Internal Height:	89mm
Drawer Cut Out (W&D):	95mm x 248mm

FAQs

Q: How big is the plumbing void?	A: 85mm and located behind the drawers. The top drawer has a cut-out to accommodate pipework.
Q: Are the handles fitted?	A: No, drawers are provided undrilled to allow for choice of handle and pilot holes on the back face of the door must be drilled by the installer.
Q: Are the runners soft close?	A: The runners are both soft close and quick release.
Q: How deep is the unit when the drawers are fully open?	A: Approx. 775mm
Q: Can the drawers be adjusted?	A: The drawers can be adjusted as detailed in supplied instructions.
Q: What is the interior finish of the unit?	A: All fascia, side, and base panels are painted to match the colour of the unit, while the internal panels are dark grey.
Q: Is the unit supplied with handles?	A: No, your choice of handles can be selected when the unit is purchased.

NOTE: Colours unique to Tavistock - No RAL Code available