

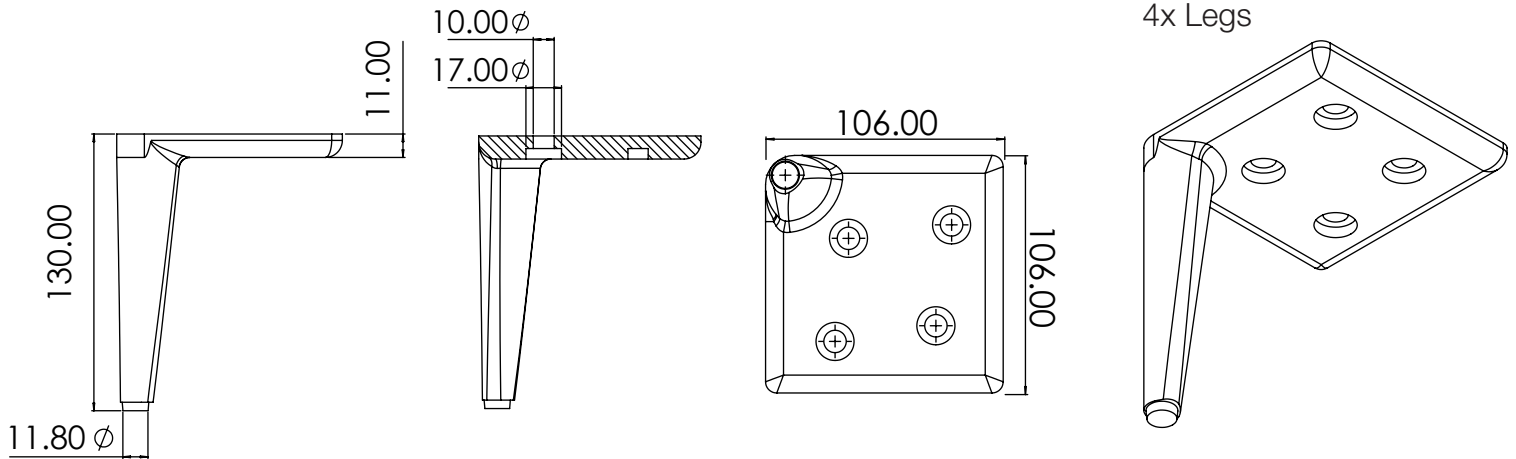
Technical Data Sheet

Arlington Legs

What's in the box: 1x ARLLEGSET.X (4 Legs) + fixings

TAVISTOCK
inspiring bathrooms

Refer to furniture TDS for more details.



Diagrams not to scale
All dimensions in mm
Tolerance of +/-5mm

Materials

Leg Material: Aluminium

- Dimensions are subject to change, customers are advised to measure actual product before commencing installation.
- Fixing point dimensions are for guidance only/the positions of the leg fixing must be checked when product is received.

FAQs

- | | |
|--|---|
| Q: What is included in the box? | A: 1x ARLLEGSET.X (4 legs) + fixings |
| Q: What material are the legs made of? | A: The legs are made of aluminum. |
| Q: Are the legs pre-attached to the furniture? | A: No, please refer to instructions provided with furniture unit for installation method. |
| Q: Does the furniture unit have any guides for leg attachment? | A: Yes, the furniture unit has pilot marks for easy leg location. |

Note: colours unique to Tavistock - no RAL code available