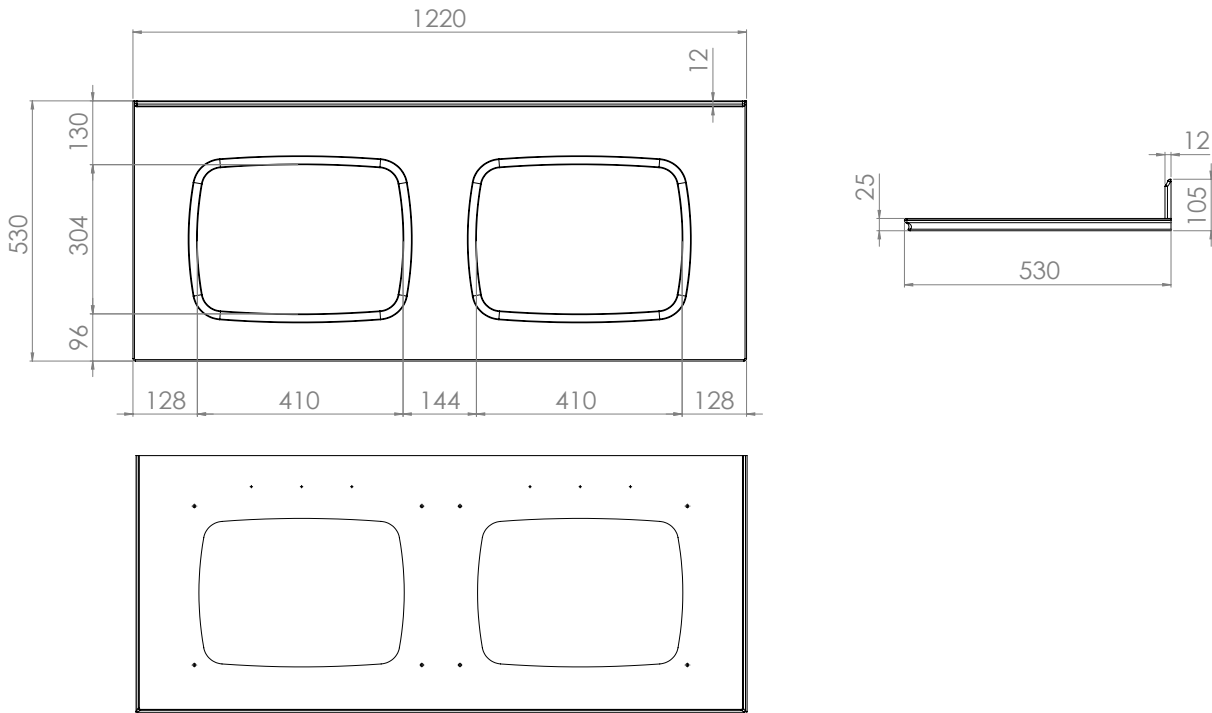


TECHNICAL DATA SHEET

ROPER RHODES®

WALCOT 1200 Double Underslung Worktop and Upstand

What's in the box: 1x WA12WD-X, WA12WU-X + Fixing Pack



Materials

Worktop: Solid Surface

Upstand: Solid Surface

Solid Surface Information

Has many names including:

- Corian
- LG Hi-macs

A homogenous compound mixture of polyester and aluminium trihydrate (derived from a natural Bauxite ore). Basically the same material all the way through so can be cut and sanded back to perfect finishes. Aluminium trihydrate is Moulded, vacuum treated and then finished by hand to create a perfectly smooth matt finish which is highly dimensionally accurate. Can be sanded and refinished should any stains occur due to misuse. Can be patch repaired by simple sanding back since material is homogenous (same all the way through).

Material Benefits:

- Point impacts (255g ball dropped from 610mm)
- Stain resistant
- Colourfast
- Temperature resistance

**Dimensions are subject to change, customers are advised to measure actual product before commencing installation.

***Fixing point dimensions are for guidance only/the positions of wall fixing must be checked when product is received.

FAQs

What tools are suitable for cutting the worktop?

Fine tooth saw, router, circular or jigsaw. Please refer to the instructions provided.

What cleaning products are suitable for this worktop?

Please refer to the instructions provided. Metis Worktop Care Kit available at Toolstation for light refurbishment of worktop.

<https://www.toolstation.com/metis-worktop-care-kit/p89318>

Is the worktop drilled for taps?

No - the worktop is supplied with a template to allow you to choose 1, 2, 3, or zero tap holes for different brassware.