

# Technical Data Sheet

## Fuse 2F Concealed Shower System

TR3008 - Chrome, TR3029 - Black, TR3030 - Brass, TR3039 - Gunmetal



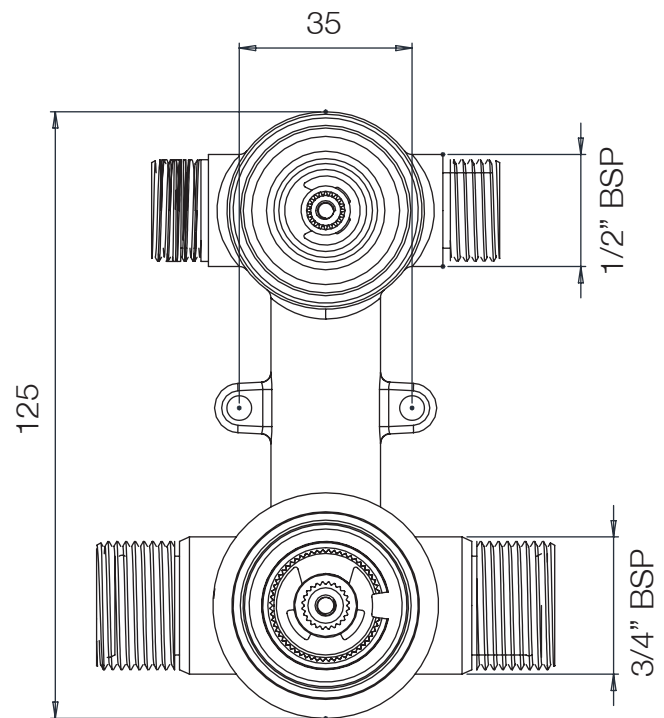
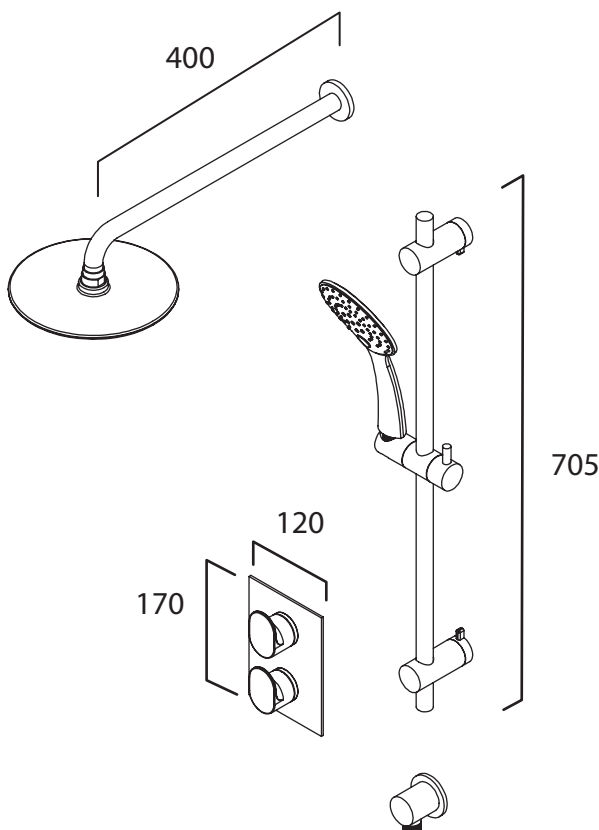
No.	Description	Codes	Fixings Included
1	Fuse 2F Concealed Shower System	TR3008, TR3029, TR3030, TR3039	YES



**FLOW RATE DATA IS TESTED UNDER LABORATORY CONDITIONS: ACTUAL FLOW RATE MAY VARY DEPENDING ON DOMESTIC SUPPLY AND ACCESSORIES**

Minimum Pressure:	1BAR
Inlet Pressure	Flow Rate (l/min)
0.5bar	8
1bar	9
2bar	13.5
3bar	17.5

### Dimensions - Overview



**NOTE: VALVE TO BE RECESSED 80-100mm FROM FINISHED WALL SURFACE**

### FAQs

**How tall is the riser rail?** 705mm - the fixing brackets are adjustable and have no fixed distance.

**How long is the shower hose?** 1.5m

**What is the recommended minimum pressure for the valve?** 1.0bar

**What is the valve connection size?** 1/2" BSP for outlets / 3/4" BSP for inlets

### Components

Shower Arm, Shower Head - Brass,  
 Wall Elbow, Valve Handles - Brass,  
 Riser Rail, Shower Hose - Stainless Steel,  
 Shower Handset, Slider - ABS,  
 Concealed Valve - Brass