

Technical Data Sheet

Fuse Bath Filler Black - TR1098



No.	Description	Code	Fixings Included
1	Fuse Bath Filler Black	TR1098	YES

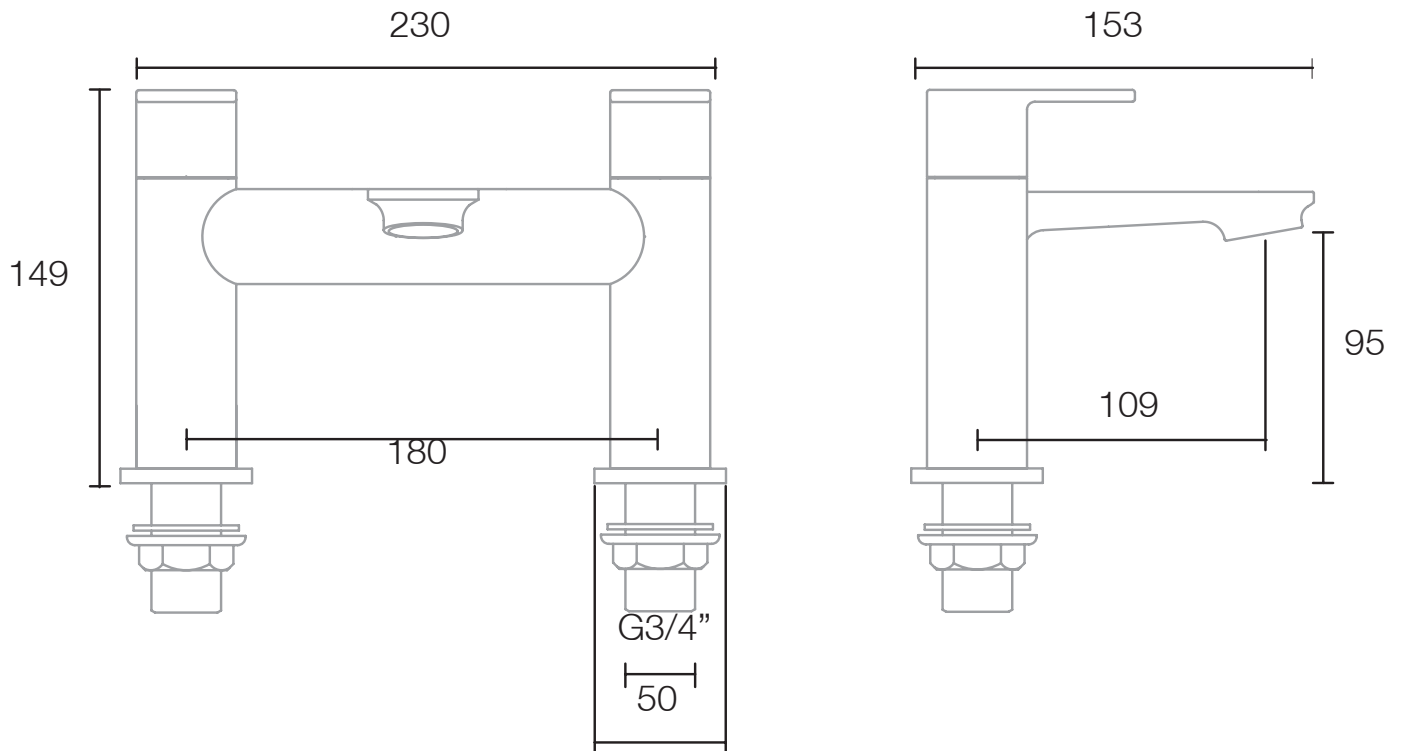


FLOW RATE DATA IS TESTED UNDER LABORATORY CONDITIONS: ACTUAL FLOW RATE MAY VARY DEPENDING ON DOMESTIC SUPPLY AND ACCESSORIES

Pressure:	Flow Rate:
0.2bar	9.3 litres / min
0.3bar	11.8 litres / min
0.4bar	15.5 litres / min
0.5bar	22.5 litres / min
1bar	33.2 litres / min
2bar	38 litres / min

Dimensions - TR1098

Diagrams not to scale. All dimensions in mm (tolerance of +/-5mm)



*Dimensions are subject to change, customers are advised to measure actual product before commencing installation.

FAQs

Does the tap come fitted with an aerator?

Yes, the aerator comes pre-installed but can be replaced.

What size plumbing fittings are needed for the threaded legs?

This product will work with standard 3/4" plumbing fittings.

What is the recommended minimum pressure? 0.3 Bar