

Technical Data Sheet

Fuse Basin Mixer Brass - TR1107



No.	Description	Code	Fixings Included
1	Fuse Basin Mixer Brass	TR1107	YES



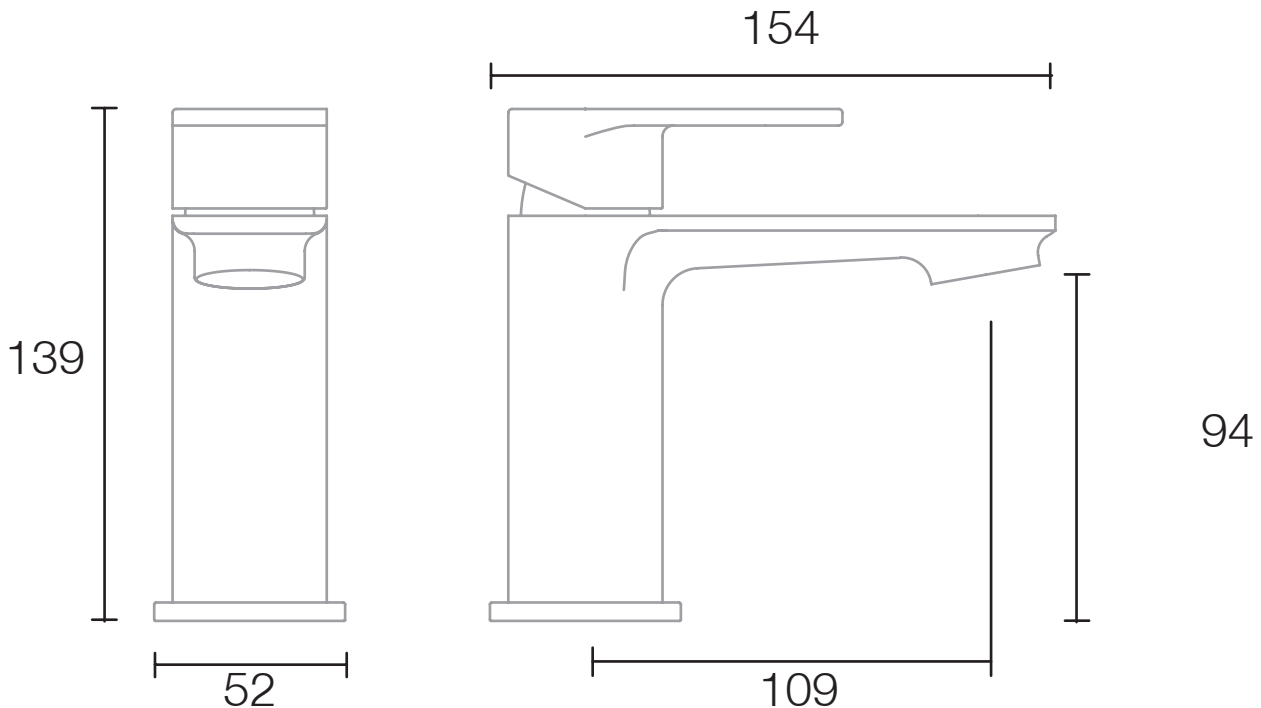
Brass PVD
(physical vapour deposition)

FLOW RATE DATA IS TESTED UNDER LABORATORY CONDITIONS: ACTUAL FLOW RATE MAY VARY DEPENDING ON DOMESTIC SUPPLY AND ACCESSORIES

Pressure:	Flow Rate:
0.2bar	4.7 litres / min
0.3bar	6 litres / min
0.4bar	7.5 litres / min
0.5bar	9.9 litres / min
1bar	14.5 litres / min
2bar	17.8 litres / min

Dimensions - TR1107

Diagrams not to scale. All dimensions in mm (tolerance of +/-5mm)



*Dimensions are subject to change, customers are advised to measure actual product before commencing installation.

FAQs

What is the size of the tap tail connection? The tap tails have a standard 1/2" BSP fixing.

What bore is the tap tail? The tails have a 10mm internal bore.

What length are the tap tails? The tails are 300mm in length.

Does the tap come fitted with an aerator? Yes, the aerator comes pre-installed but can be replaced.

What is the recommended minimum pressure? 0.3 Bar