

# Technical Data Sheet

Fuse Mini Basin Mixer - TR1022



No.	Description	Code	Fixings Included
1	Fuse Mini Basin Mixer	TR1022	YES

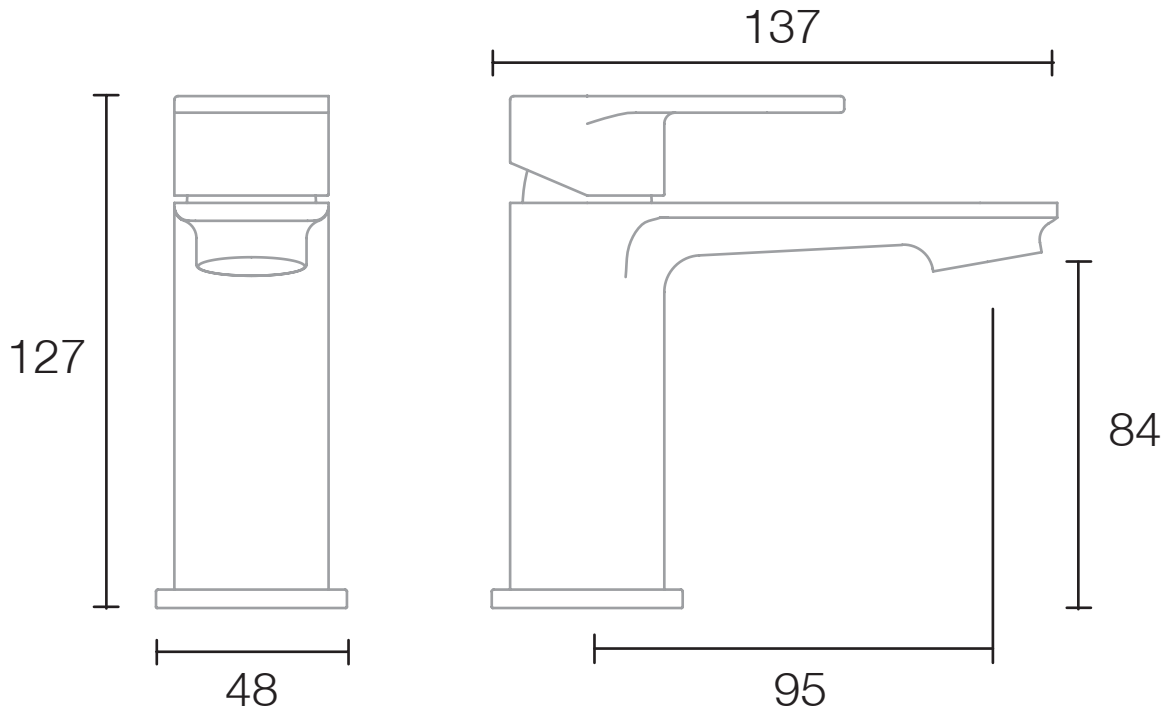


**FLOW RATE DATA IS TESTED UNDER LABORATORY CONDITIONS: ACTUAL FLOW RATE MAY VARY DEPENDING ON DOMESTIC SUPPLY AND ACCESSORIES**

Pressure:	Flow Rate:
0.2bar	4.6 litres / min
0.3bar	5.9 litres / min
0.4bar	6.9 litres / min
0.5bar	9.7 litres / min
1bar	14.3 litres / min
2bar	17.5 litres / min

## Dimensions - TR1022

Diagrams not to scale. All dimensions in mm (tolerance of +/-5mm)



\*Dimensions are subject to change, customers are advised to measure actual product before commencing installation.

## FAQs

**What is the size of the tap tail connection?** The tap tails have a standard 1/2" BSP fixing.

**What bore is the tap tail?** The tails have a 10mm internal bore.

**What length are the tap tails?** The tails are 300mm in length.

**Does the tap come fitted with an aerator?** Yes, the aerator comes pre-installed but can be replaced.

**What is the recommended minimum pressure?** 0.3 Bar