

# Technical Data Sheet

Fuse Bath Filler Gunmetal - TR1131



No.	Description	Code	Fixings Included
1	Fuse Bath Filler Gunmetal	TR1131	YES



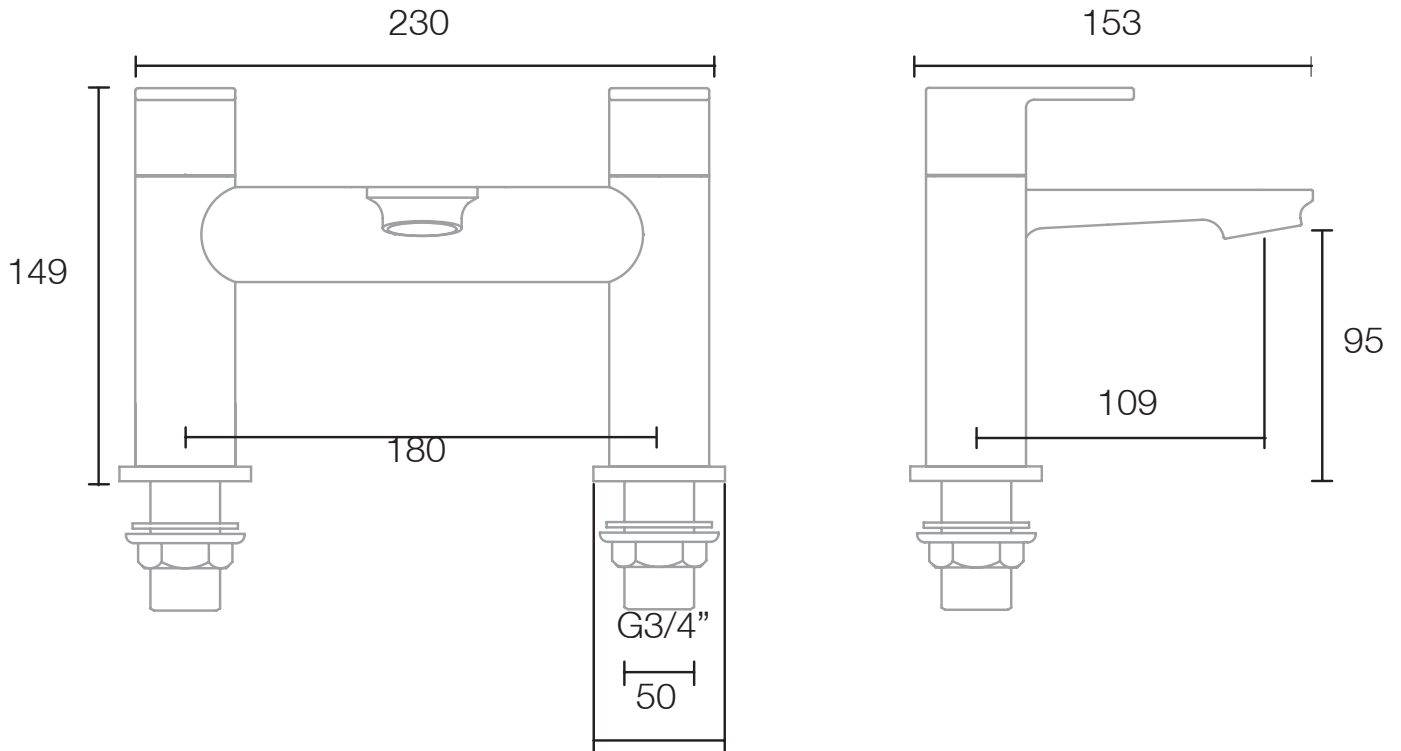
Gunmetal PVD  
(Physical Vapour Deposition)

**FLOW RATE DATA IS TESTED UNDER LABORATORY CONDITIONS: ACTUAL FLOW RATE MAY VARY DEPENDING ON DOMESTIC SUPPLY AND ACCESSORIES**

Pressure:	Flow Rate:
0.2bar	9.3 litres / min
0.3bar	11.8 litres / min
0.4bar	15.5 litres / min
0.5bar	22.5 litres / min
1bar	33.2 litres / min
2bar	38 litres / min

## Dimensions - TR1107

Diagrams not to scale. All dimensions in mm (tolerance of +/-5mm)



\*Dimensions are subject to change, customers are advised to measure actual product before commencing installation.

## FAQs

- Does the tap come fitted with an aerator?** Yes, the aerator comes pre-installed but can be replaced.
- What size plumbing fittings are needed for the threaded legs?** This product will work with standard 3/4" plumbing fittings.
- What is the recommended minimum pressure?** 0.3 Bar