

# Technical Data Sheet

Fuse Bath Shower Mixer Gunmetal - TR1132



No.	Description	Code	Fixings Included
1	Fuse Bath Shower Mixer Gunmetal	TR1132	YES



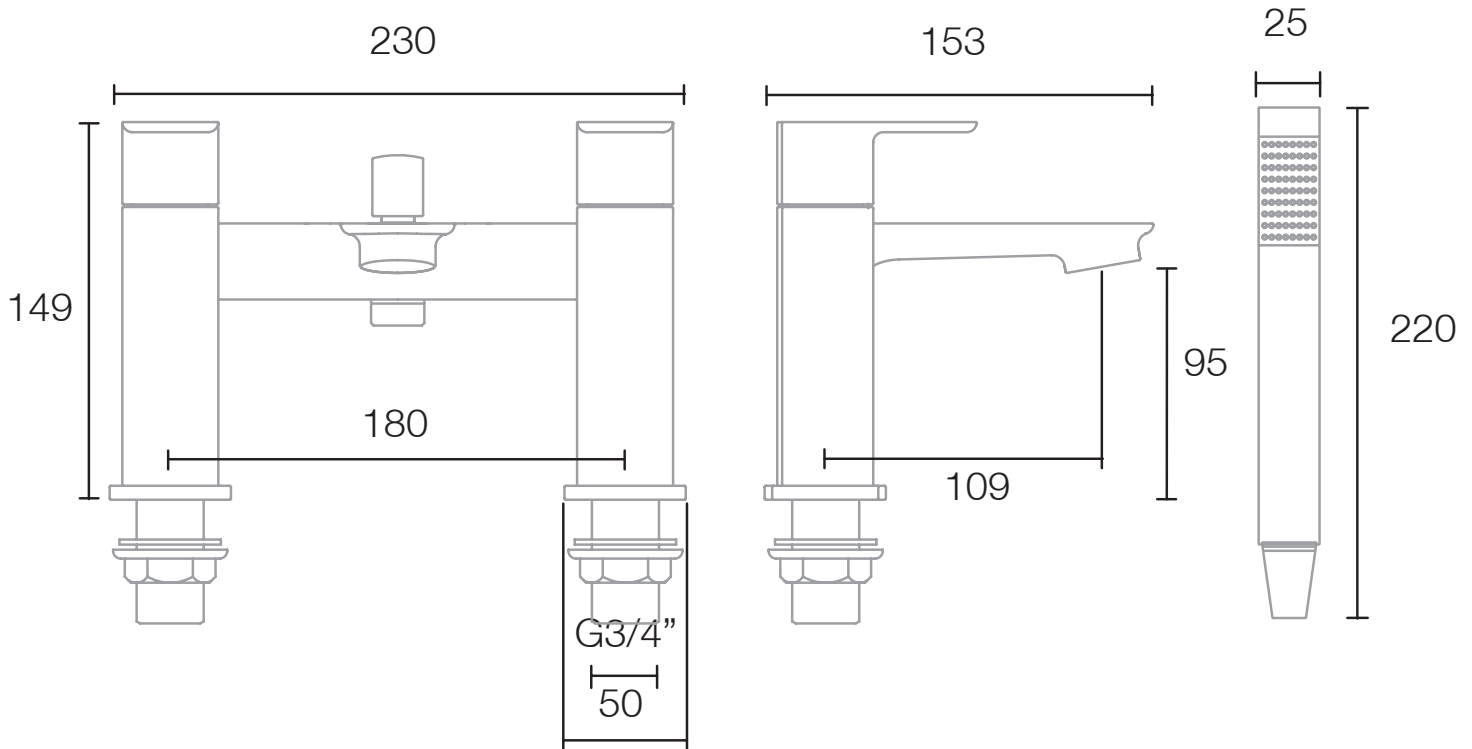
Gunmetal PVD  
(Physical Vapour Deposition)

**FLOW RATE DATA IS TESTED UNDER LABORATORY CONDITIONS: ACTUAL FLOW RATE MAY VARY DEPENDING ON DOMESTIC SUPPLY AND ACCESSORIES**

Pressure:	Flow Rate:
0.2bar	8.5 litres / min
0.3bar	11.5 litres / min
0.4bar	14.7 litres / min
0.5bar	22.3 litres / min
1bar	31.5 litres / min
2bar	36.8 litres / min

## Dimensions - TR1107

Diagrams not to scale. All dimensions in mm (tolerance of +/-5mm)



\*Dimensions are subject to change, customers are advised to measure actual product before commencing installation.

## FAQs

**Does the tap come fitted with an aerator?**

Yes, the aerator comes pre-installed but can be replaced.

**What size plumbing fittings are needed for the threaded legs?**

This product will work with standard 3/4" plumbing fittings.

**What size are the connections for the shower hose?**

The threaded connections on the shower hose are a standard 1/2" BSP connection.

**What is the recommended minimum pressure? 0.3 Bar**