

# Technical Data Sheet

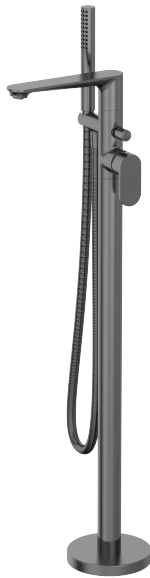
Fuse Freestanding Bath Shower Mixer Gunmetal - TR1134



No.	Description	Code	Fixings Included
	Fuse Freestanding Bath Shower Mixer Gunmetal	TR1134	YES

## Dimensions - TR1107

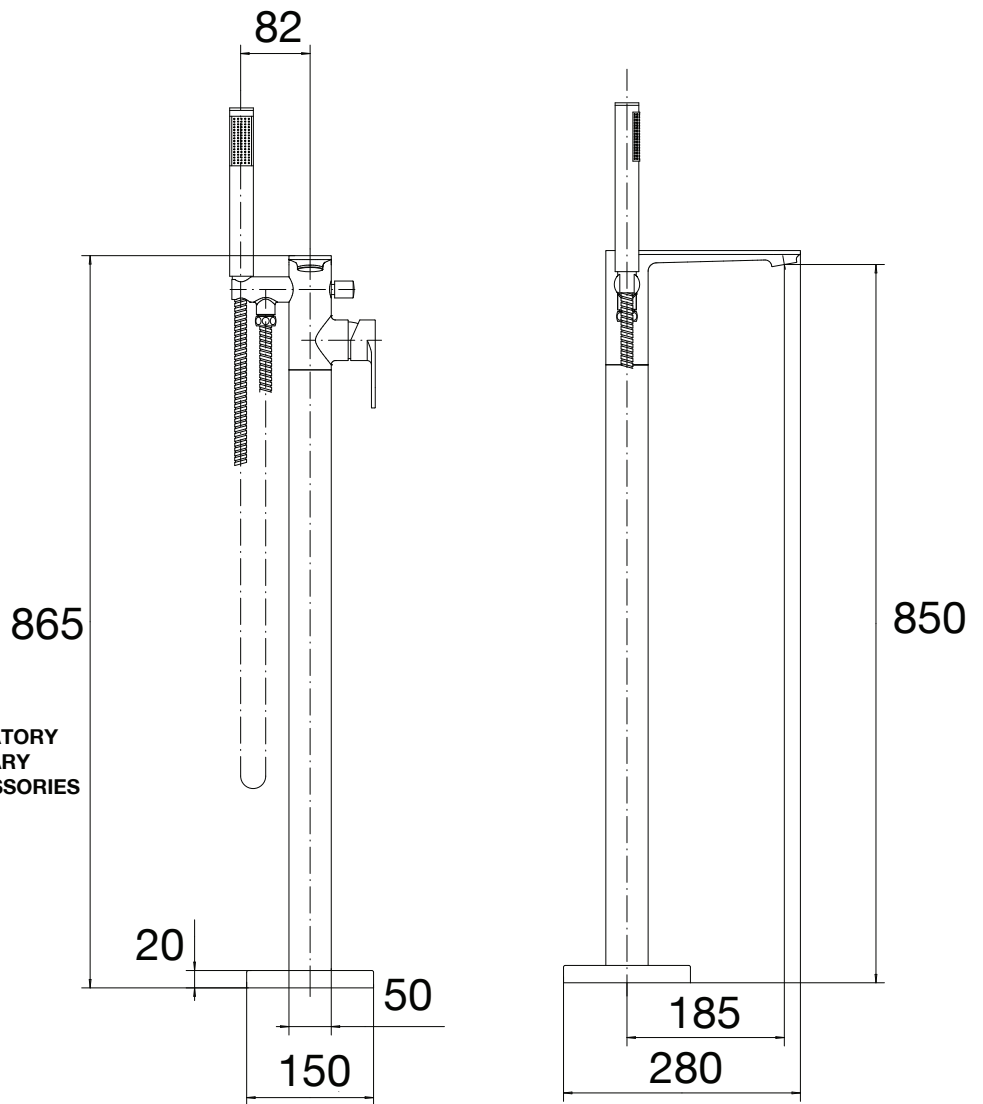
Diagrams not to scale. All dimensions in mm (tolerance of +/-5mm)



Gunmetal PVD  
(Physical Vapour Deposition)

**FLOW RATE DATA IS TESTED UNDER LABORATORY  
CONDITIONS: ACTUAL FLOW RATE MAY VARY  
DEPENDING ON DOMESTIC SUPPLY AND ACCESSORIES**

Pressure:	Flow Rate:
0.2bar	4.8 litres / min
0.3bar	5.8 litres / min
0.4bar	6.5 litres / min
0.5bar	7.3 litres / min
1bar	10.3 litres / min
2bar	14.5 litres / min



\*Dimensions are subject to change, customers are advised to measure actual product before commencing installation.

## FAQs

**What is the size of the tap tail connection?** The tap tails have a standard 1/2" BSP compression fitting

**What bore is the tap tail?** The tails have a 10mm internal bore.

**What length are the tap tails?** The tails are 900mm in length.

**Does the tap come fitted with an aerator?** Yes, the aerator comes pre-installed but can be replaced.

**What is the recommended minimum pressure?** 1 Bar