

Technical Data Sheet

Fuse Freestanding Bath Shower Mixer - TR1087



No.	Description	Code	Fixings Included
1	Fuse Freestanding Bath Shower Mixer	TR1087	YES

Dimensions - TR1087

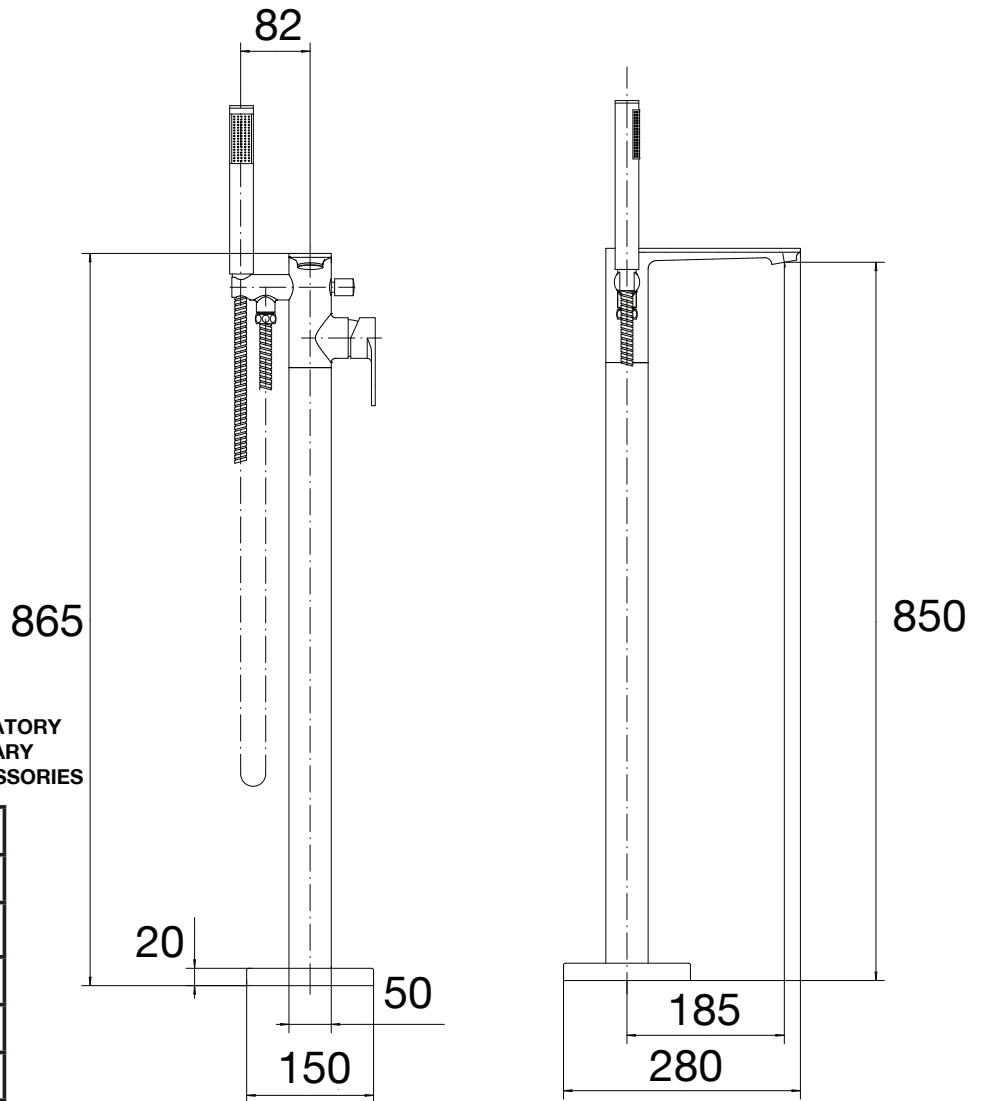
Diagrams not to scale. All dimensions in mm (tolerance of +/-5mm)



Chrome Plated

FLOW RATE DATA IS TESTED UNDER LABORATORY CONDITIONS: ACTUAL FLOW RATE MAY VARY DEPENDING ON DOMESTIC SUPPLY AND ACCESSORIES

Pressure:	Flow Rate:
0.2bar	4.8 litres / min
0.3bar	5.8 litres / min
0.4bar	6.5 litres / min
0.5bar	7.3 litres / min
1bar	10.3 litres / min
2bar	14.5 litres / min



*Dimensions are subject to change, customers are advised to measure actual product before commencing installation.

FAQs

What is the size of the tap tail connection? The tap tails have a standard 1/2" BSP compression fitting

What bore is the tap tail? The tails have a 10mm internal bore.

What length are the tap tails? The tails are 900mm in length.

Does the tap come fitted with an aerator? Yes, the aerator comes pre-installed but can be replaced.

What is the recommended minimum pressure? 1 Bar