

GLOBE LIGHTS

BOX CONTENTS:

Globe Light | Instructions booklet | Fixing Kit

FAQ's

	Units	PL01-XX-W Pendant Globe	WL01-XX-W Wall Mounted Globe
Dimensions	mm	150 x 150 x 202	150 x 150 x 193
Installation orientation	-	Ceiling mounted	Wall mounted
Cable length	mm	3500	150
Gross Weight	gr	700	500
Is a driver required?	-	No	
Is the lamp Included?	-	No*	
Max lamp length	mm	110	
Is the lamp Dimmable?		Lamp Dependent	

*If smart version is ordered (suffix -WIZ) a smart bulb will be included.

For further FAQ's related to Wiz App go to: <https://www.roperrhodes.co.uk/smart-lighting>

ELECTRICAL SPECIFICATION

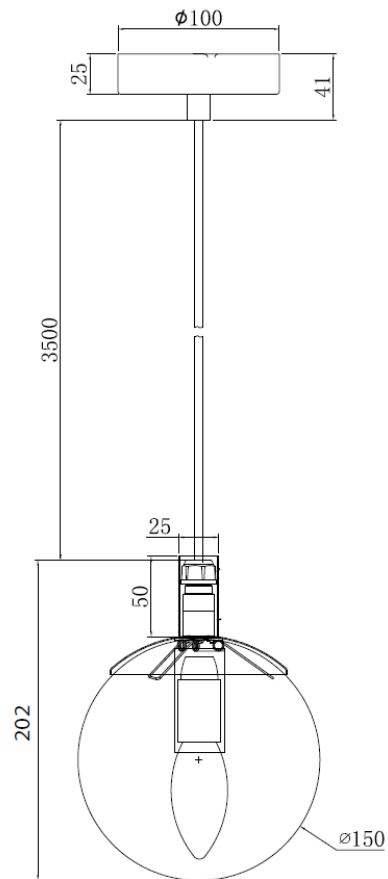
	Input Voltage	Light Source	Max Wattage (W)	Energy Rating	CCT (K)	CRI	IP Rating	Electrical Class
PL01-XX-W	220-240V 50Hz	E14	25	Lamp Dependent	Lamp Dependent	Lamp Dependent	IP44	Class II
WL01-XX-W	220-240V 50Hz	E14	25	Lamp Dependent	Lamp Dependent	Lamp Dependent	IP44	Class II

TECHNICAL DATA SHEET

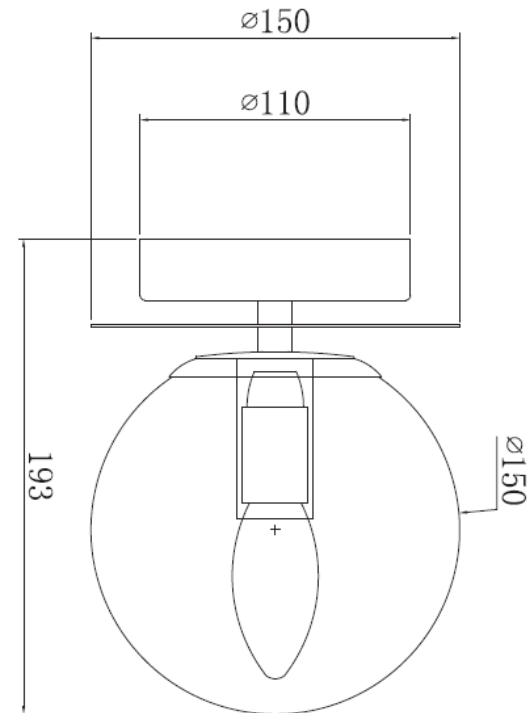
ROPER RHODES®

TECHNICAL DRAWINGS

PL01- XX - W



WL01- XX- W



Please note:

- Dimensions are subject to change. Customers are advised to measure actual product dimensions before commencing installation