

TECHNICAL DATA SHEET

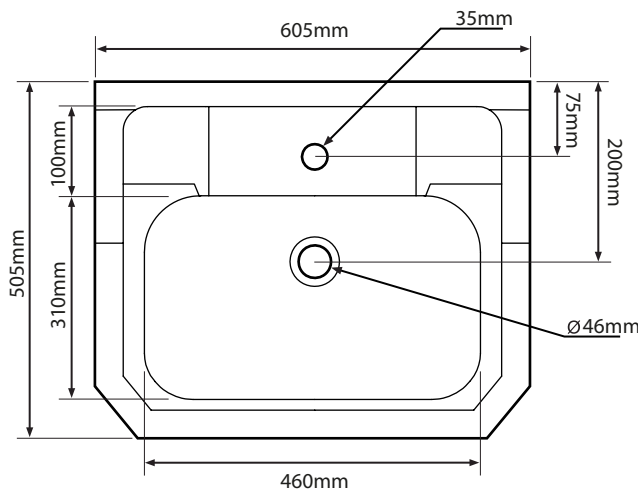
Harrow 605mm Basin and Pedestal

ROPER RHODES®

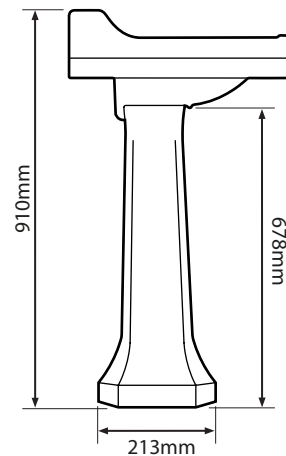
NO.	Description	Product Code	Fixings included	Gross Weight
1	Harrow 605mm Basin	H60SB	YES	20KG
2	Harrow Pedestal	HPED	YES	10KG



DIMENSIONS



DIAGRAMS NOT TO SCALE | ALL DIMENSIONS IN MM TOLERANCE OF ± 5MM
ALL PRODUCTS CONFORM TO BRITISH STANDARDS



*Dimensions are subject to change, customers are advised to measure actual product before commencing installation.
**Fixing point dimensions are for guidance only. The positions of fixings must be checked when product is received.

FAQs

Q - Position of fixing points?
A - 285 Centers

Q - Does this basin have an integrated overflow?
A - Yes

Q - What is the maximum water depth of the basin?
A - 95mm up to the overflow.

Basin

Key Dimensions Descriptions	Key Dimensions (mm)
Internal Basin Depth	95mm
Internal Basin Front to Back	310mm
Internal Basin Left to Right	460mm
Tap Ledge	100mm
Taphole Centre to Waste Centre	120mm
Taphole Centre to Back of Basin	75mm
Waste Centre to Back of Basin	200mm
Width of Basin	610mm
Depth of Basin	505mm

Pedestal

Key Dimensions Descriptions	Key Dimensions (mm)
Distance at Rear Base from Wall when Fitted MIN/MAX	115mm
Footprint Front to Back Depth	230mm
Footprint Outside Width Front	255mm
Footprint Outside Width Back	280mm
Cavity Width (Pipe Fit)	95mm
Cavity Depth (Pipe Fit)	110mm
Height Excluding Basin	678mm