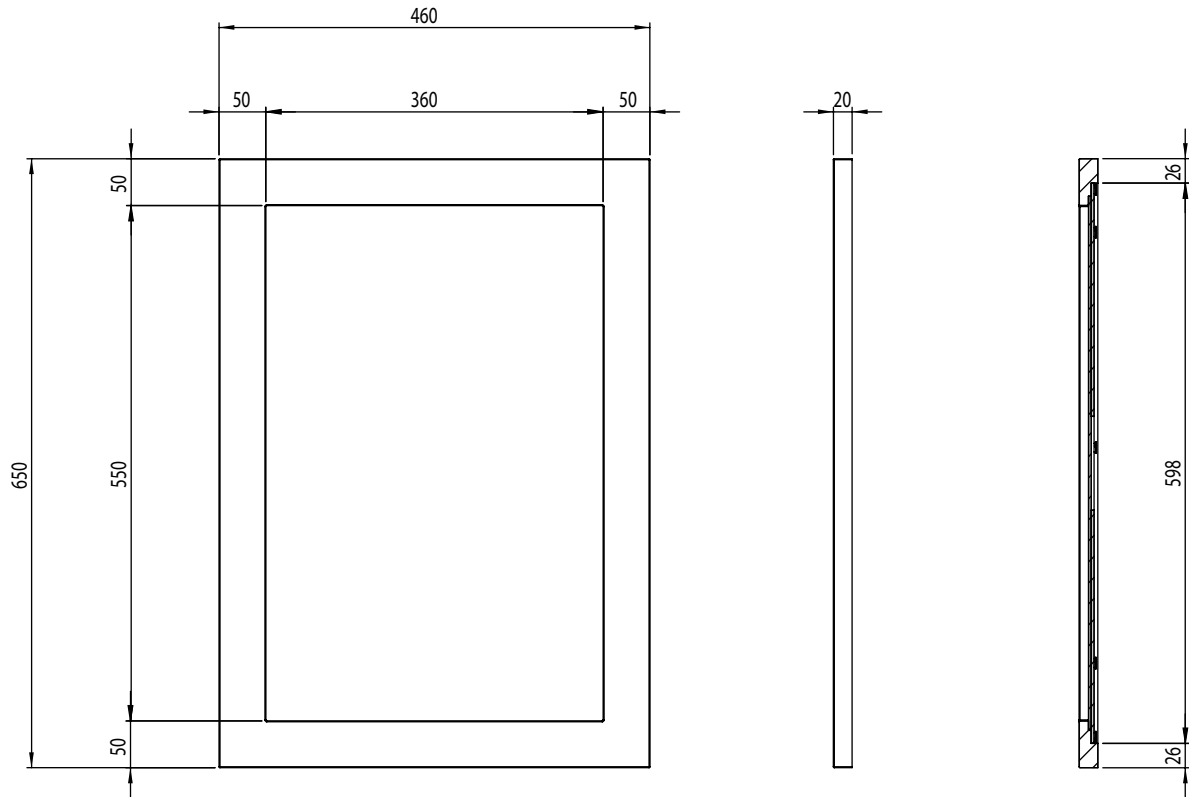


Technical Data Sheet

HALCYON 460mm Mirror

Whats in the box: 1x HAL4450.X + Fixings

R2



Diagrams not to scale
All dimensions in mm
tolerance of +/-5mm

Materials

Frame: 20mm MDF / Hardboard backing

Mirror: 3mm mirror glass

**Dimensions are subject to change, customers are advised to measure actual product before commencing installation.

***Fixing point dimensions are for guidance only/the positions of wall fixing must be checked when product is received.

FAQ's

Q: Can the mirror be hung portrait and landscape?

A: Yes

Q: What is the thickness of the mirror glass?

A: 3mm

NOTE: Colours unique to R2 - No RAL Code available