

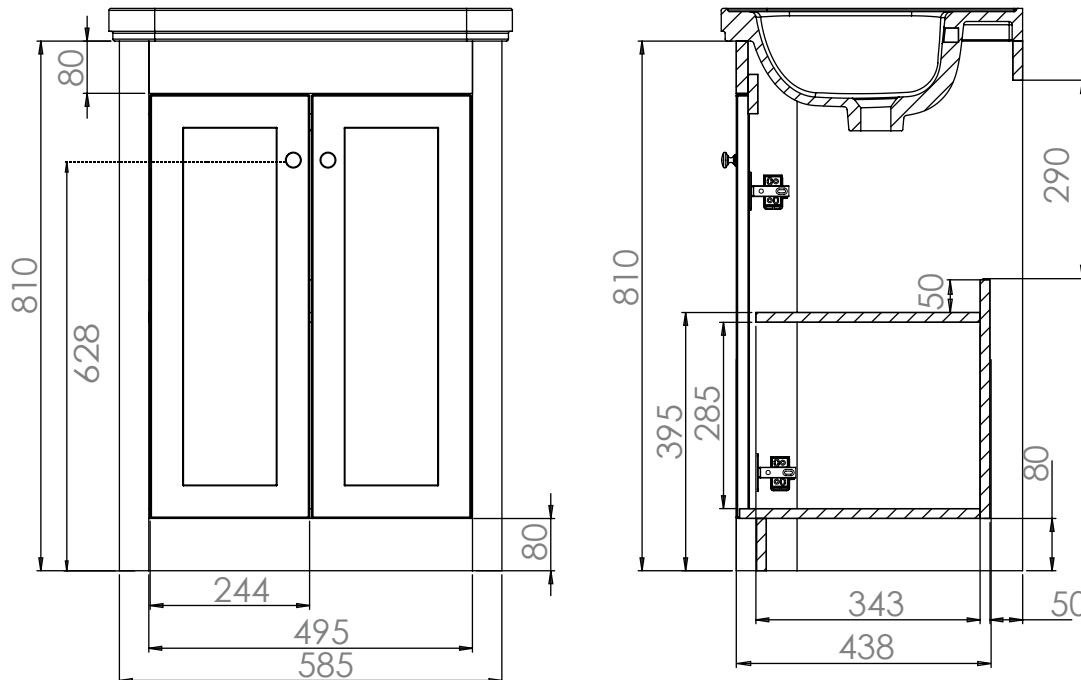
Technical Data Sheet

HALCYON 600mm Floor Mounted Unit

Whats in the box: 1x HAL6010.X + Handle/Fixings



*Reference basin TDS for further info



Diagrams not to scale
All dimensions in mm
tolerance of +/-5mm

Materials

Carcass: 16mm Painted MDF

Fascia Components: 18mm Painted MDF

**Dimensions are subject to change, customers are advised to measure actual product before commencing installation.

***Fixing point dimensions are for guidance only/the positions of wall fixing must be checked when product is received.

FAQs

Q: How big is the plumbing void at the back of the furniture?

A: 50mm.

Q: Are the handles fitted?

A: No, handles need fitting.

Q: Are the hinges soft close?

A: The hinges are both soft close and quick release.

Q: How deep is the unit when the doors are fully open?

A: Approx. 680mm (approx 90° opening hinges).

Q: Can the doors be adjusted?

A: The doors can be adjusted as detailed in the supplied instructions.

Q: Is the shelf removable?

A: Yes, there is one adjustable/removable shelf.

Q: How do I fix the unit to the wall?

A: You can secure it to the wall drilling through the back brace. See instructions.

Q: What is the interior finish of the unit?

A: The unit interior is the same finish as the exterior finish.

NOTE: Colours unique to Roper Rhodes - No RAL Code available